



aluplast GmbH (Head Office)
uPVC window profile systems
Auf der Breit 2
DE - 76227 Karlsruhe

fon: +49 721 47171-0
fax: +49 721 47171-999
info.de@aluplast.net
www.aluplast.net

aluplast India Pvt. Ltd.
uPVC window profile systems
B-26 Second Floor
Lajpat Nagar – III
IN - 110024 New Delhi

fon: +91 11 29830646
fax: +91 11 29830647
info@aluplastindia.com
www.aluplastindia.com

aluplast Iranian L.L.C.
uPVC window profile systems
Unit # 16 & 17 - 4th Floor
No.56, M. Golnabi St
South of Hosseinieh Ershad.Dr.Ali
Shariati Ave.
IR - Teheran

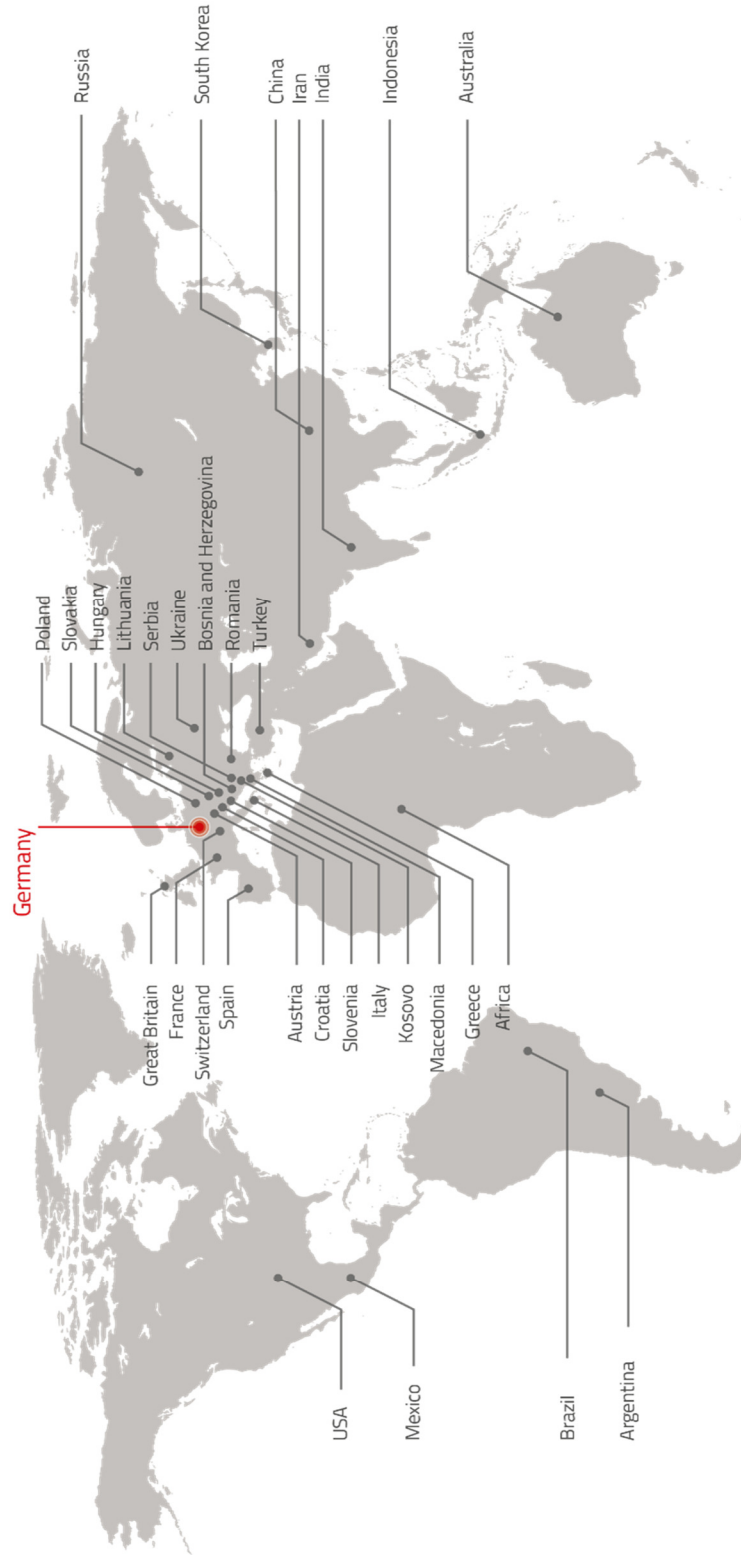
fon: +98 21 22894282
fax: +98 21 22866281
amir.bahrami@aluplast.net
www.aluplast.net

aluplast UK
uPVC window profile systems
Unit 1 Unit 1 Tewkesbury Industrial Estate
Green Lane | Tewkesbury
UK - Glos GL20 8HD

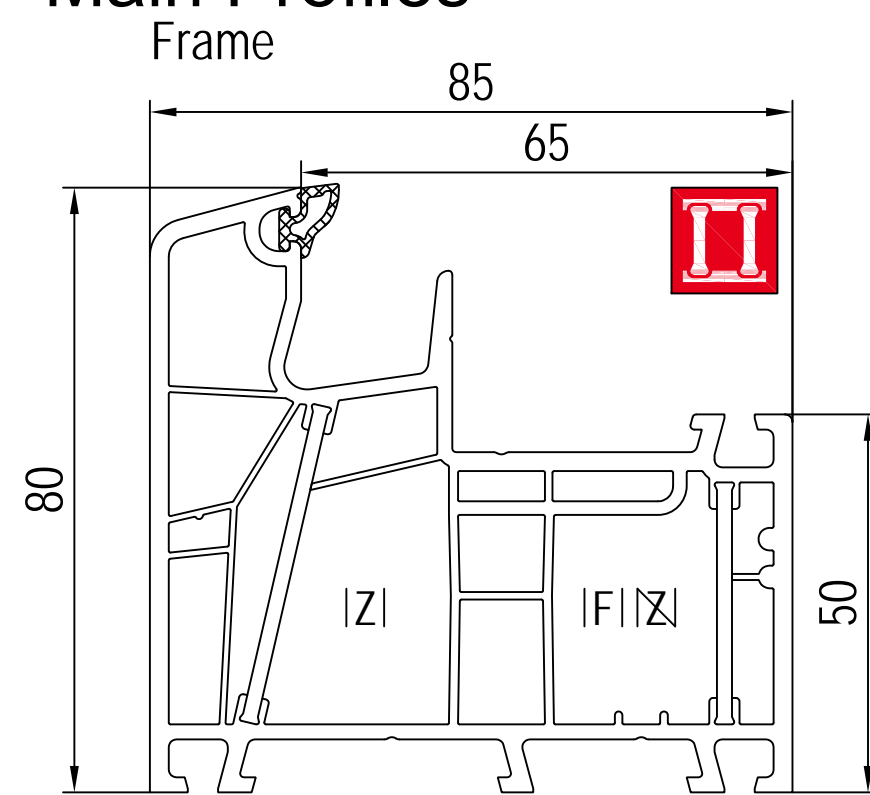
fon: +44 1684 273401
fax: +44 1684 273031
info@aluplast.co.uk
www.aluplast.net

Plans of Profiles

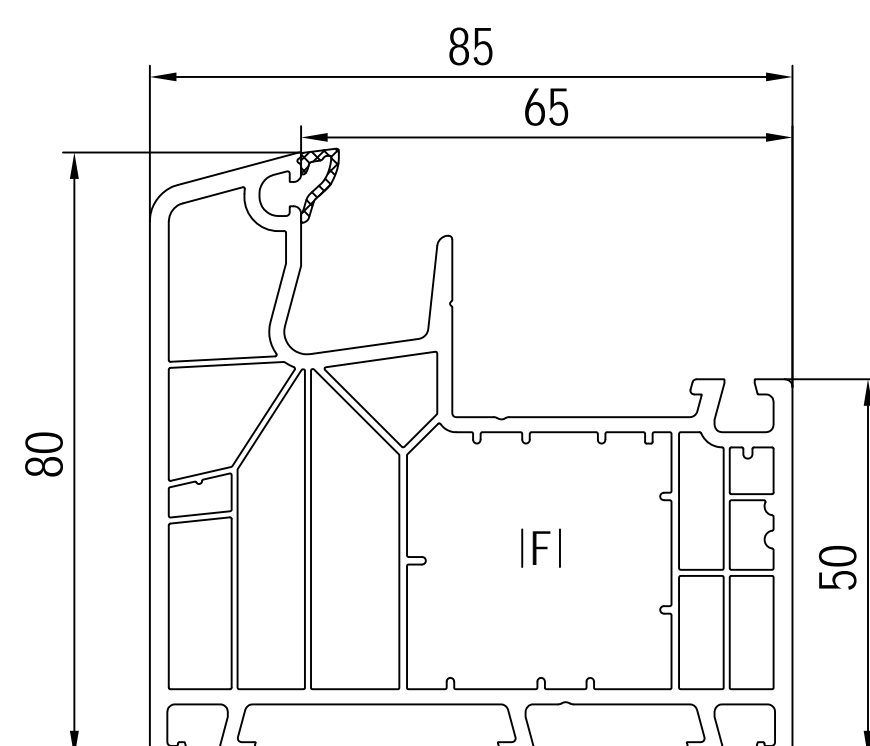
24 production sites and sales offices all over the world



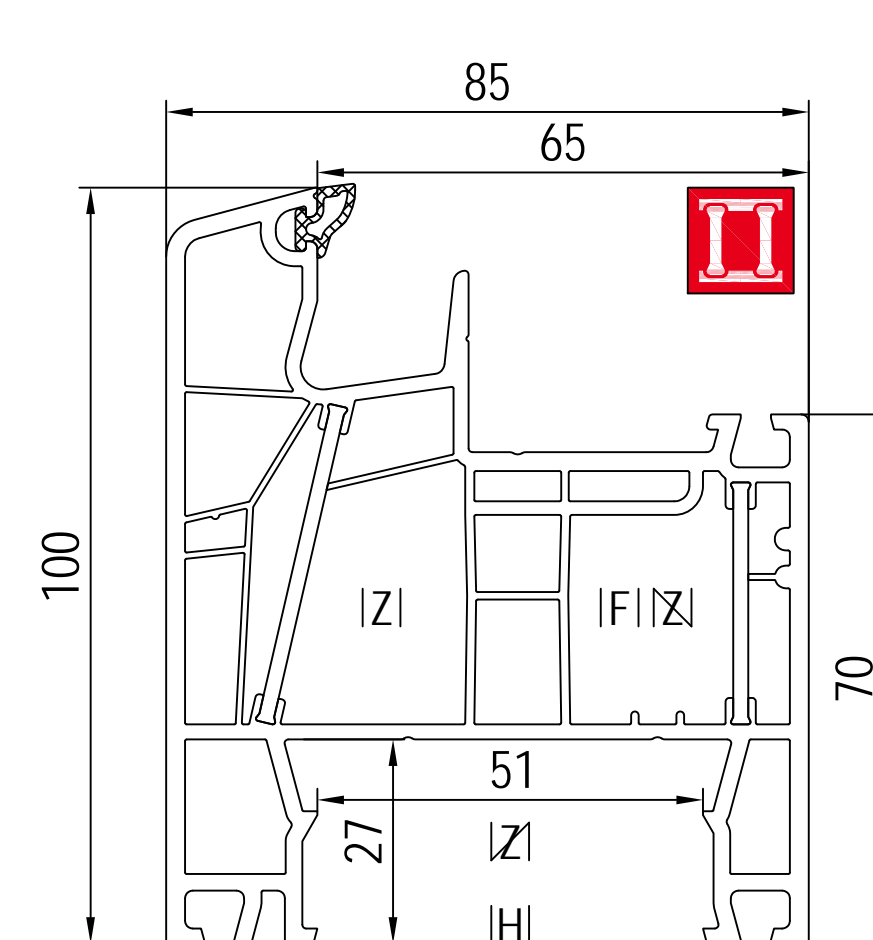
Main Profiles



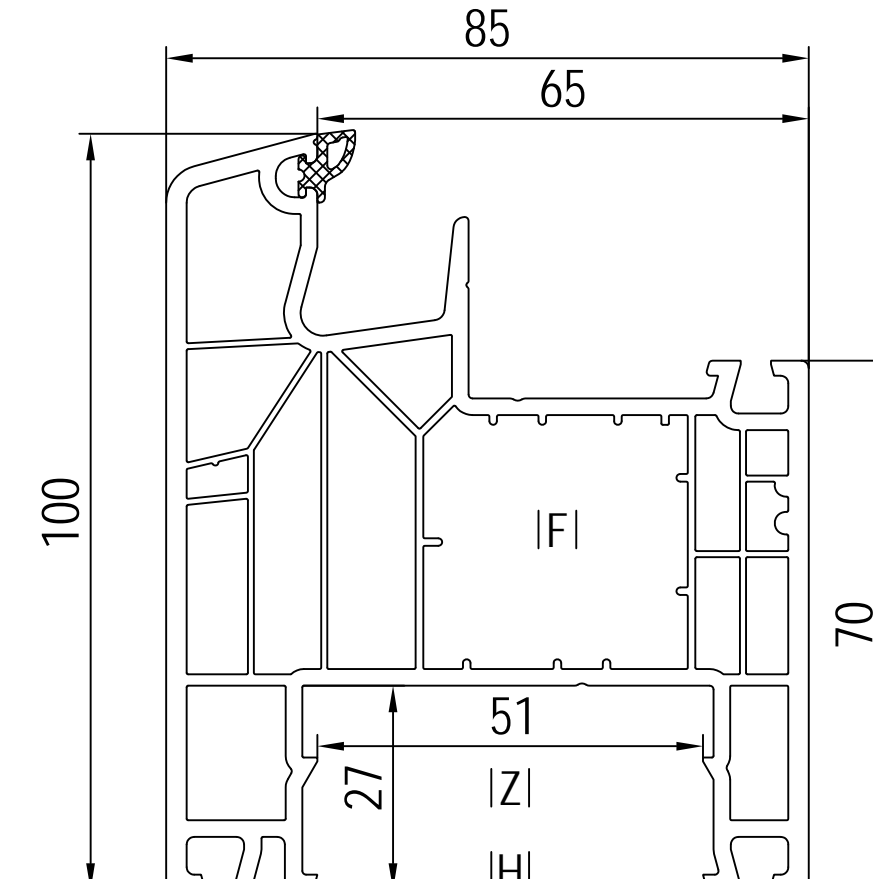
■ **080x05 (CL)**
AI 680016, 680321, 650018, 650019, 650321
FI 229117, 229119
PI 289304, 289313
QI 287301, 287303
UI 249058, 269060
VI 686471 + IXI 486071
ZI 680290 IZI 680291



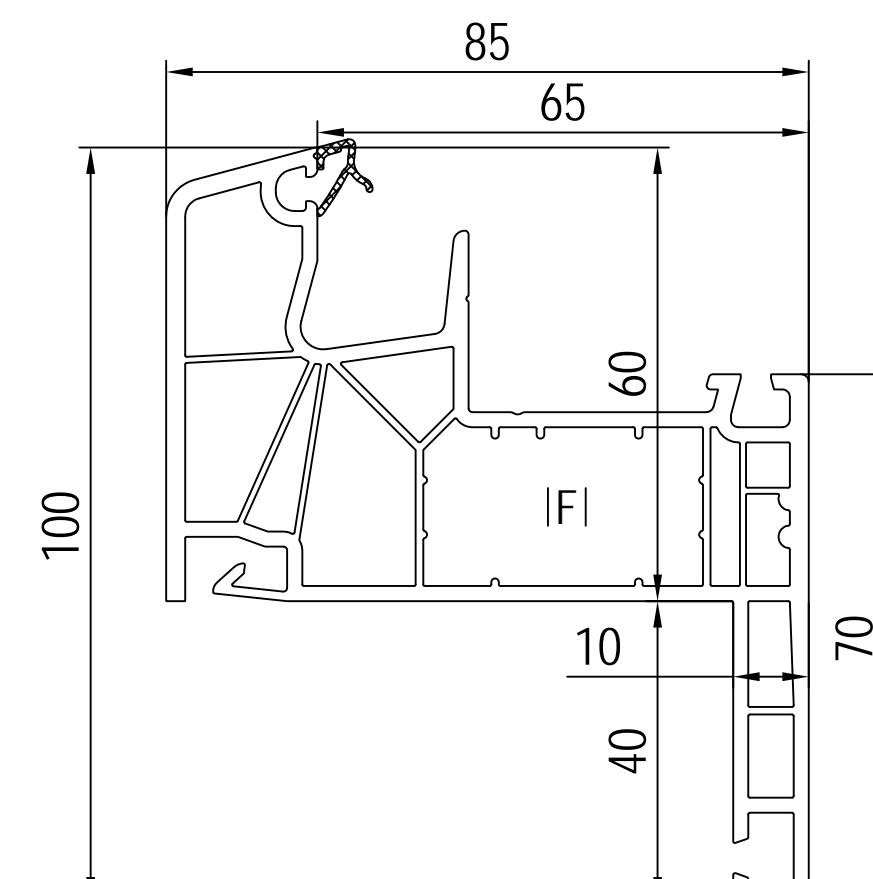
■ **180x05 (CL)**
AI 680016, 680321, 650018, 650019, 650321
FI 229112, 229113, 229121, 239019, 239020, 249014, 249015
PI 289304, 289313
QI 287301, 287303
UI 249058, 269060
VI 686471 + IXI 486071



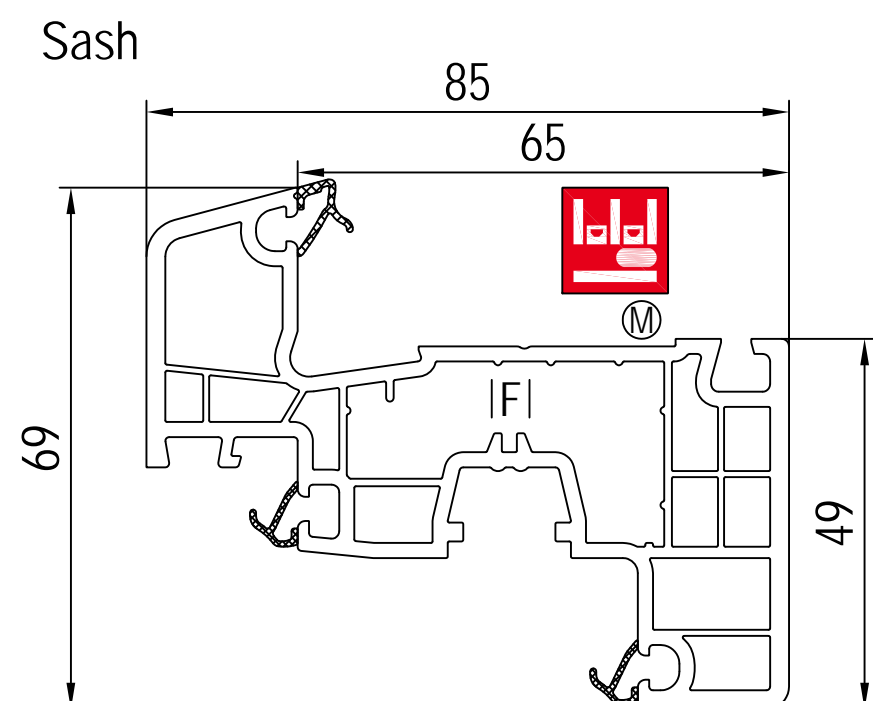
■ **080x04 (CL)**
AI 680016, 680321, 650018, 650019, 650321
FI 229117, 229119
HI 685058
PI 289304, 289314
QI 287301, 287303
UI 249058, 269060
VI 686474 + IXI 486071
ZI 680290 IZI 680291 IZI 680289



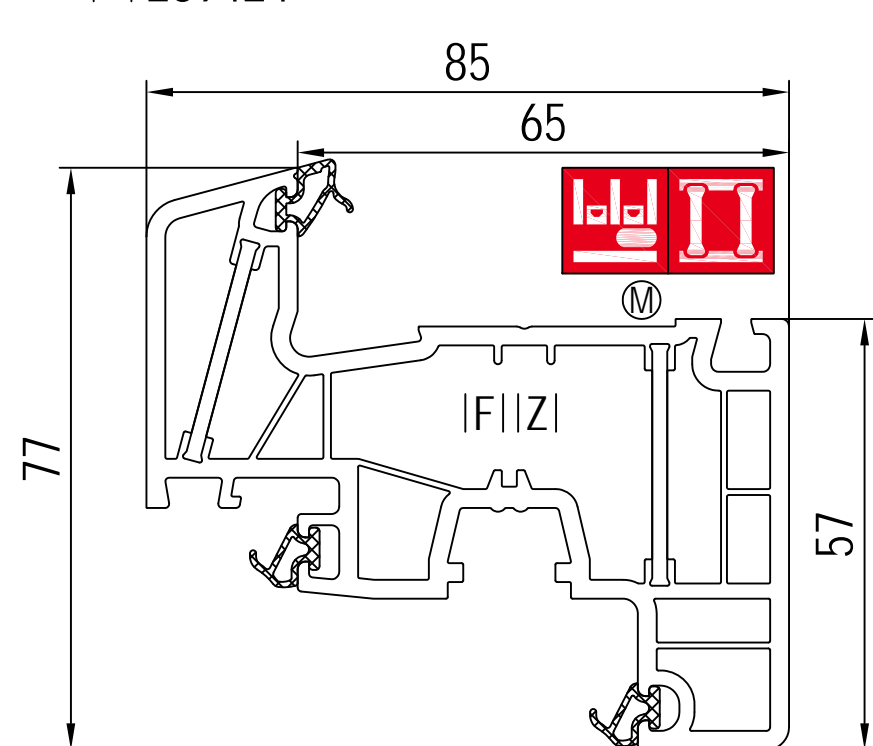
■ **180x04 (CL)**
AI 680016, 680321, 650018, 650019, 650321
FI 229112, 229113, 229121, 239019, 239020, 249014, 249015
HI 685058
PI 289304, 289314
QI 287301, 287303
UI 249058, 269060
VI 686474 + IXI 486071
ZI 680289



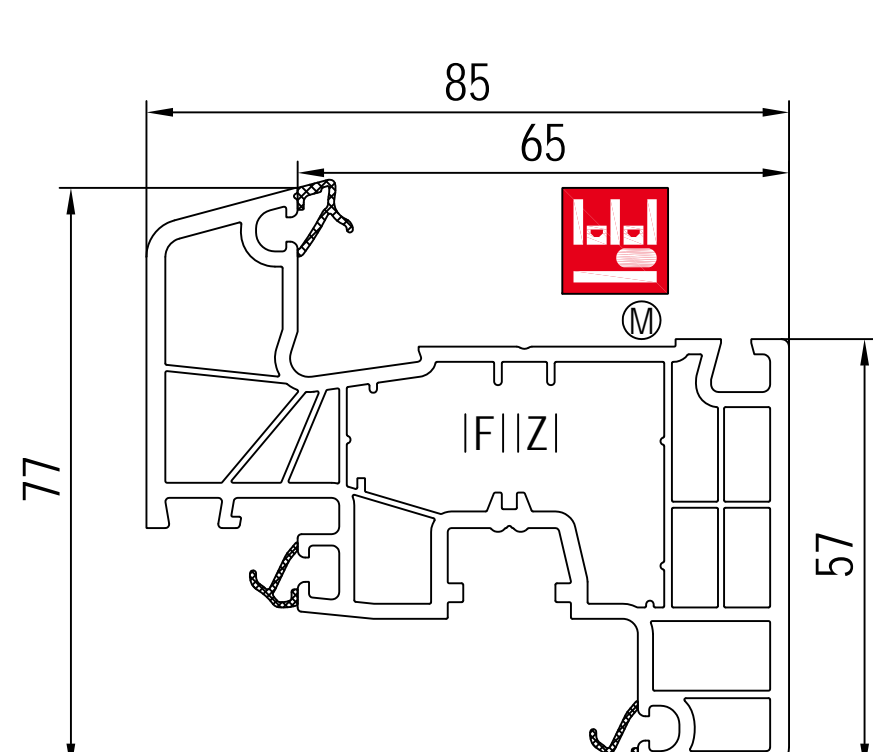
■ **180x15 (CL)**
AI 680016, 680321, 650018, 650019, 650321
FI 229037
PI 289304
QI 287301, 287303



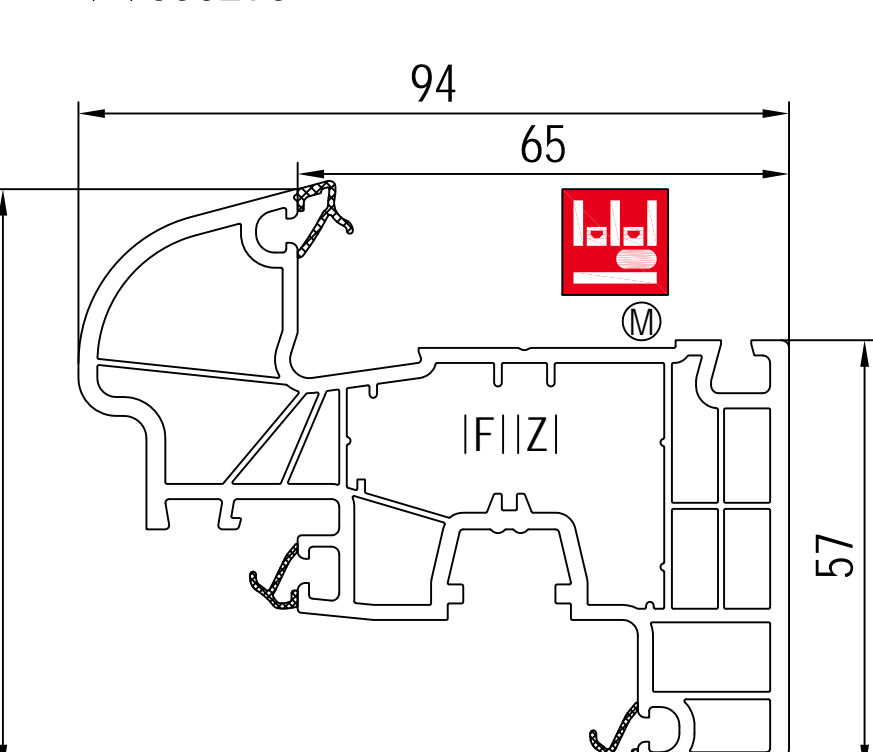
■ **180x24 (CL)**
AI 650250, 650252, 655251, 680250, 685251 or IJI
FI 259024, 259028, 289024, 289028
IJI 642261, 642262, 642263
PI 289424



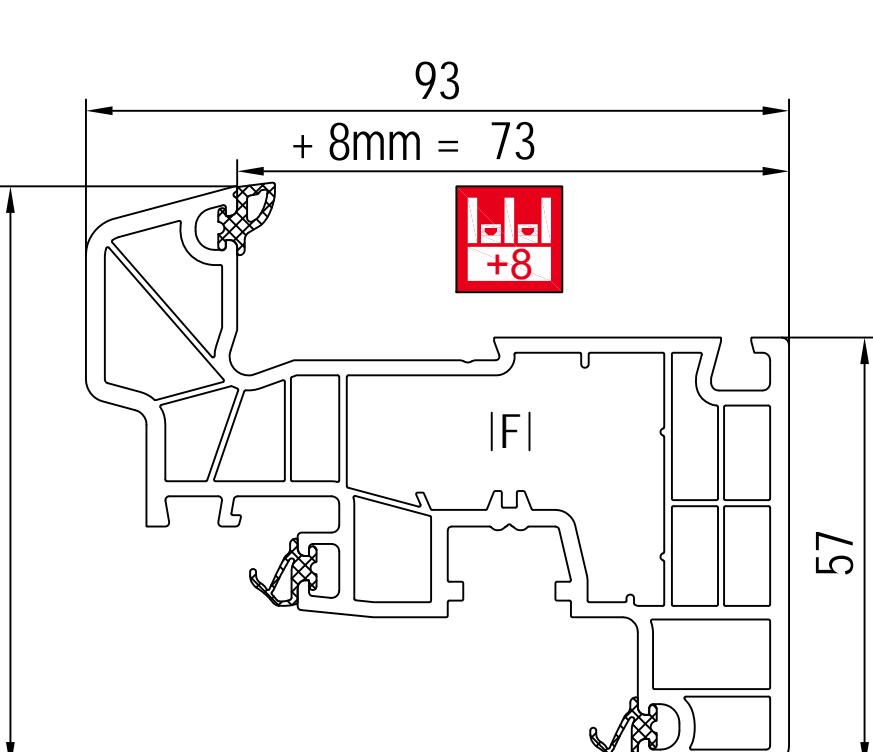
■ **080x20 (CL)** ->080x89
AI 650250, 650252, 655251, 680250, 685251 or IJI
FI 259020, 259021, 259026
IJI 642261, 642262, 642263
PI 289420
ZI 650295



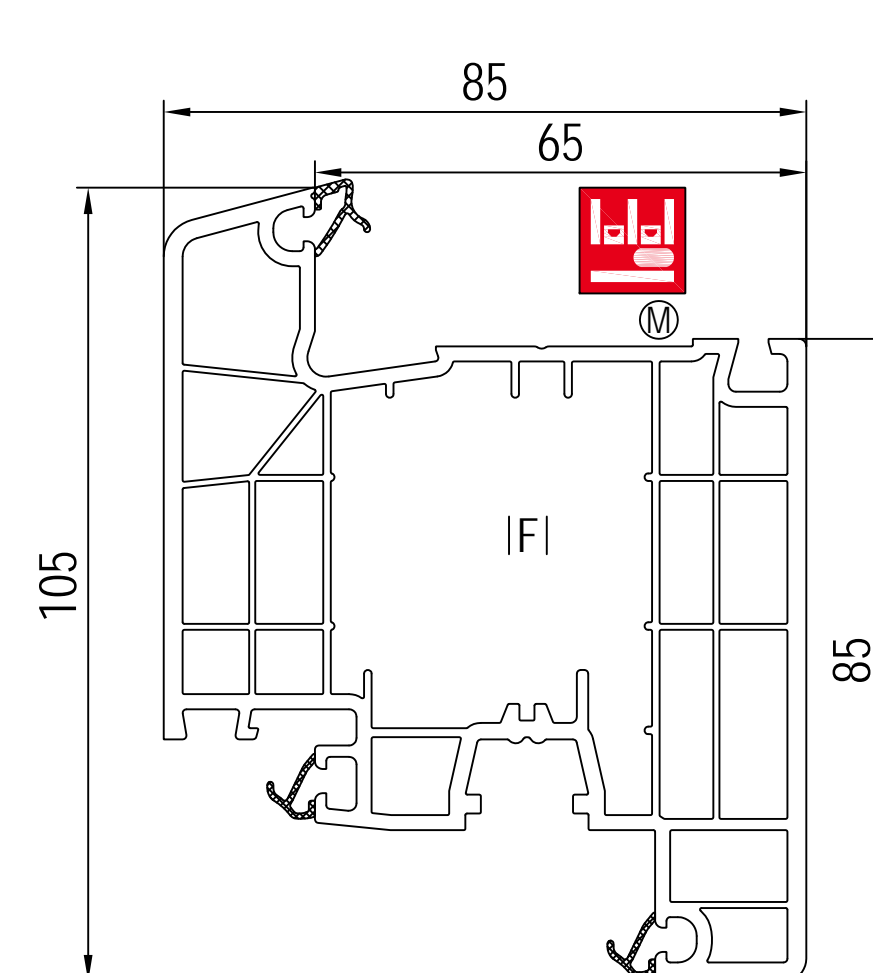
■ **180x20 (CL)** ->080x89
AI 650250, 650252, 655251, 680250, 685251 or IJI
FI 259020, 259021, 259026
IJI 642261, 642262, 642263
PI 289420
ZI 650295



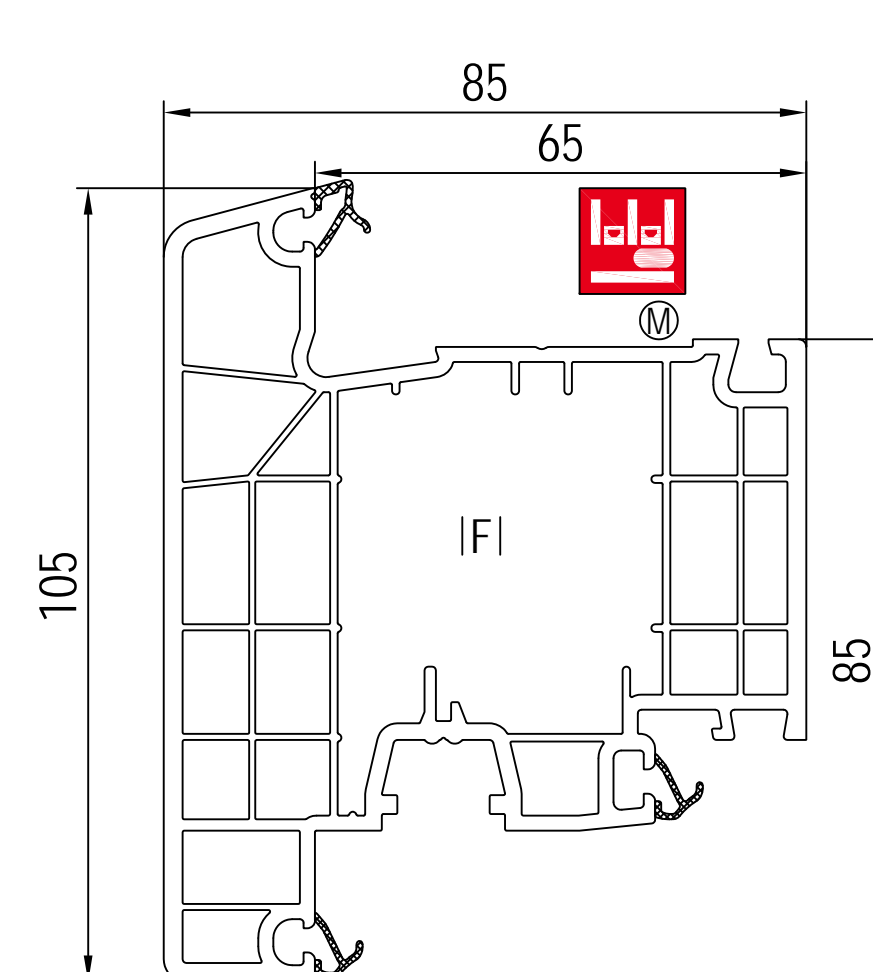
■ **180x27 (RL)**
AI 650250, 650252, 655251, 680250, 685251 or IJI
FI 259020, 259021, 259026
IJI 642261, 642262, 642263
ZI 650295



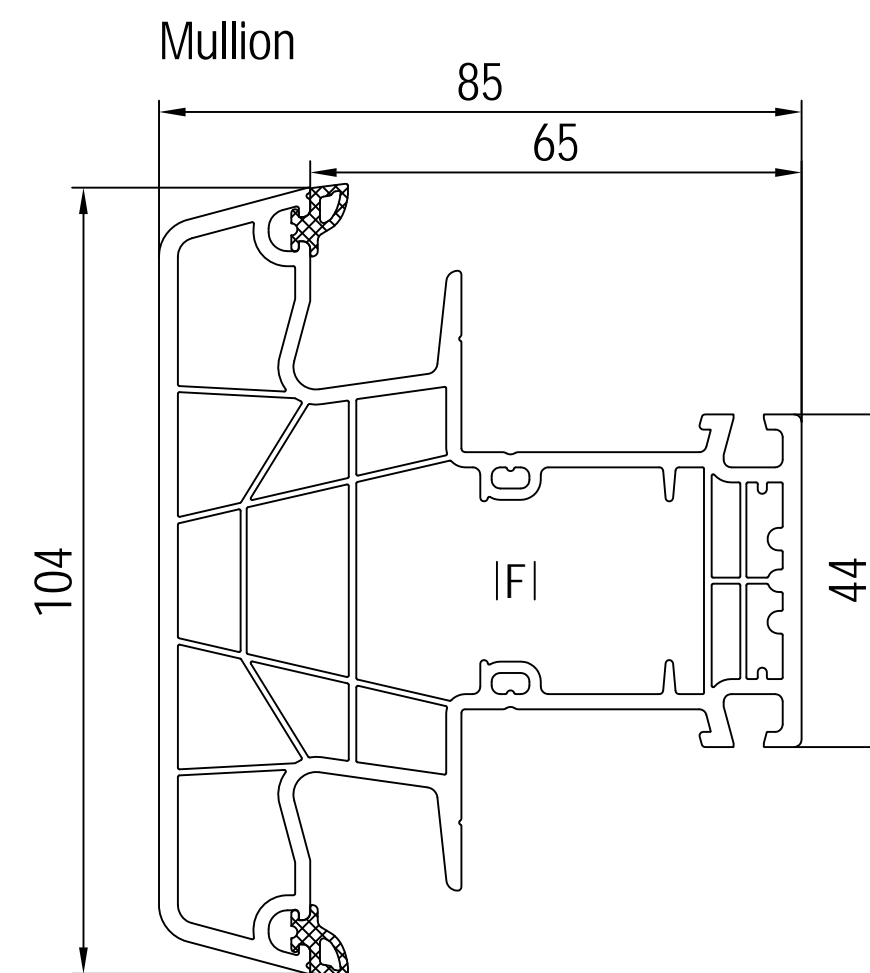
■ **180x26 (CL)** ->180x69
AI 620301, 680319
FI 239019, 239020, 249025, 259002, 259025
PI 289326



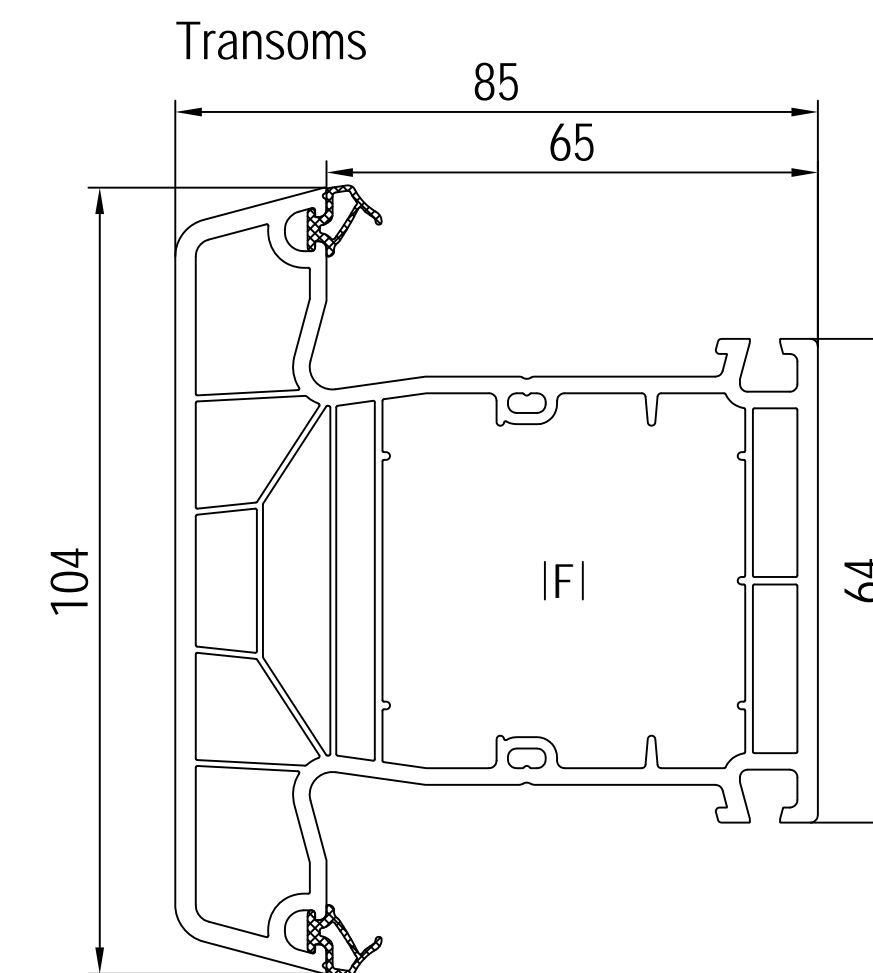
■ **180x30 (CL)**
AI 650250, 650252, 655251, 680250, 685251 or IJI
FI 229114, 229115, 259031
IJI 642261, 642262, 642263
PI 289430



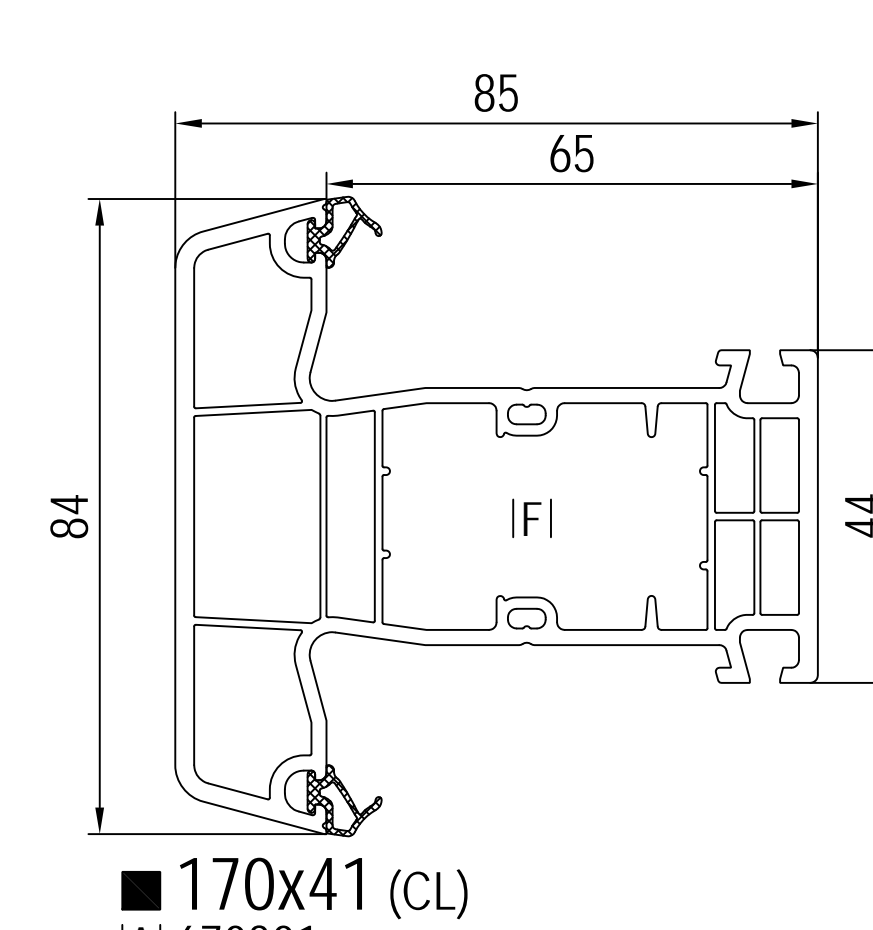
■ **180x31 (CL)**
AI 650250, 650252, 655251, 680250, 685251 or IJI
FI 229114, 229115, 259031
IJI 642261, 642262, 642263



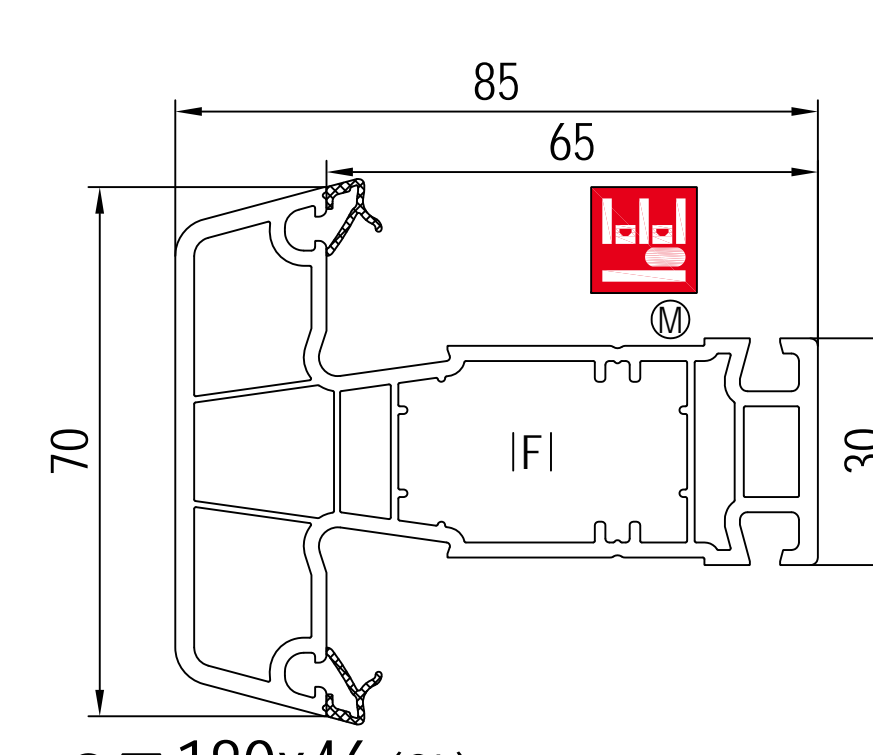
■ **180x44 (CL)**
AI 680016, 680321, 650018, 650019, 650321
DI 687131 IJI 687102 - 180x0x ...
IJI 640046 - universal
XI 659032, 659033 bl
XI 650032, 650033 wh
FI 229102, 229103
PI 289343
UI 249058, 269060
WI 686473



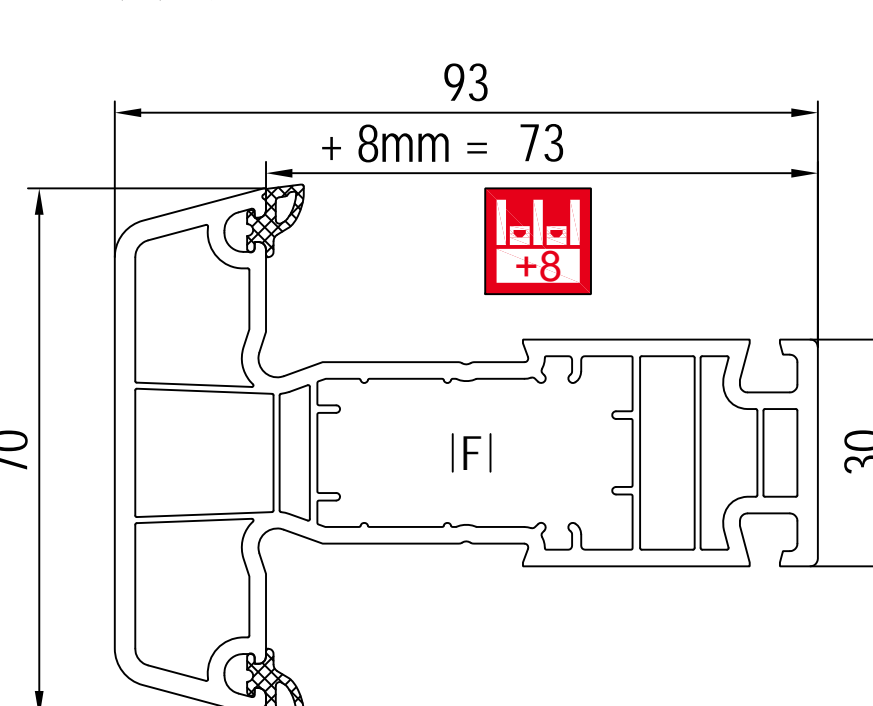
■ **170x44 (CL)**
AI 670301
IJI 677244 - ...
DI 677145, 677146 - 170x4x ...
IJI 640046 - universal
FI 249034, 249035
PI 289343



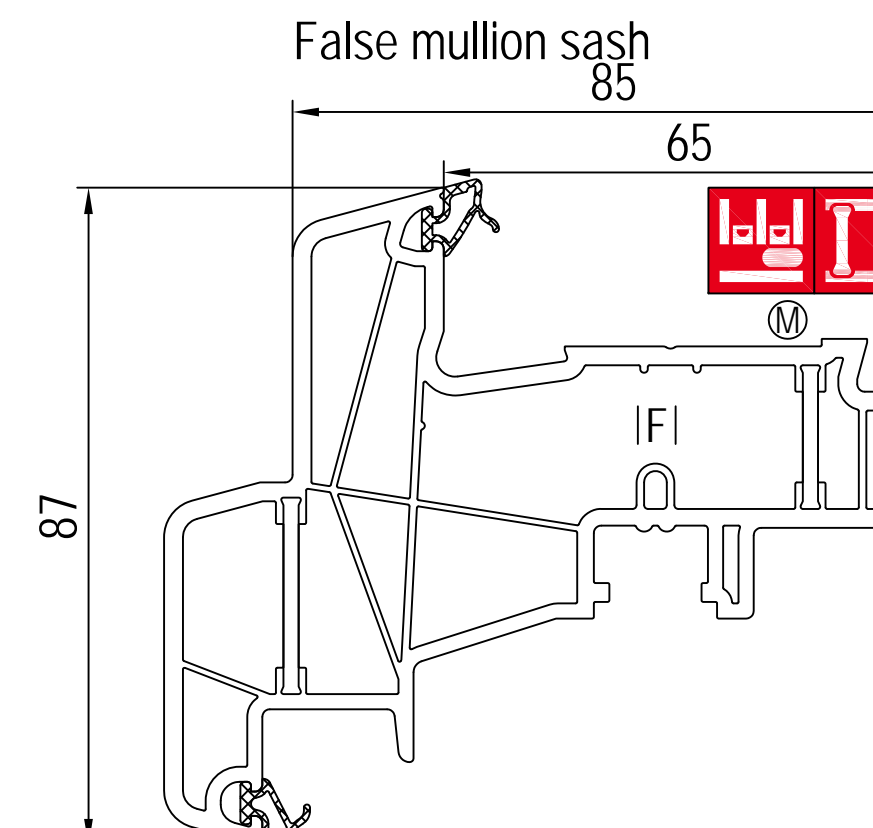
■ **170x41 (CL)**
AI 670301
IJI 677241 - ...
DI 677101, 679141 - 170x4x ...
IJI 620046, 640046 - universal
FI 259043, 259044
PI 289341



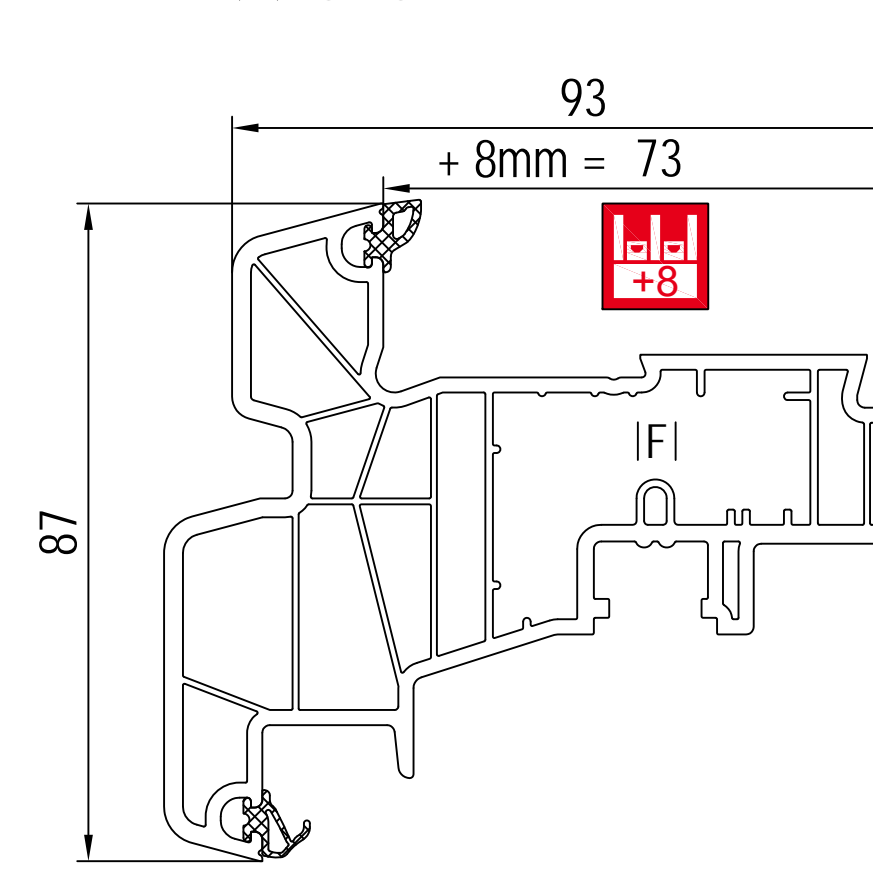
■ **180x46 (CL)**
AI 650250, 650252, 655251, 680250, 685251 or IJI
IJI 687246 - ...
IJI 680046 - universal
FI 229037
IJI 642261, 642262, 642263
PI 289346



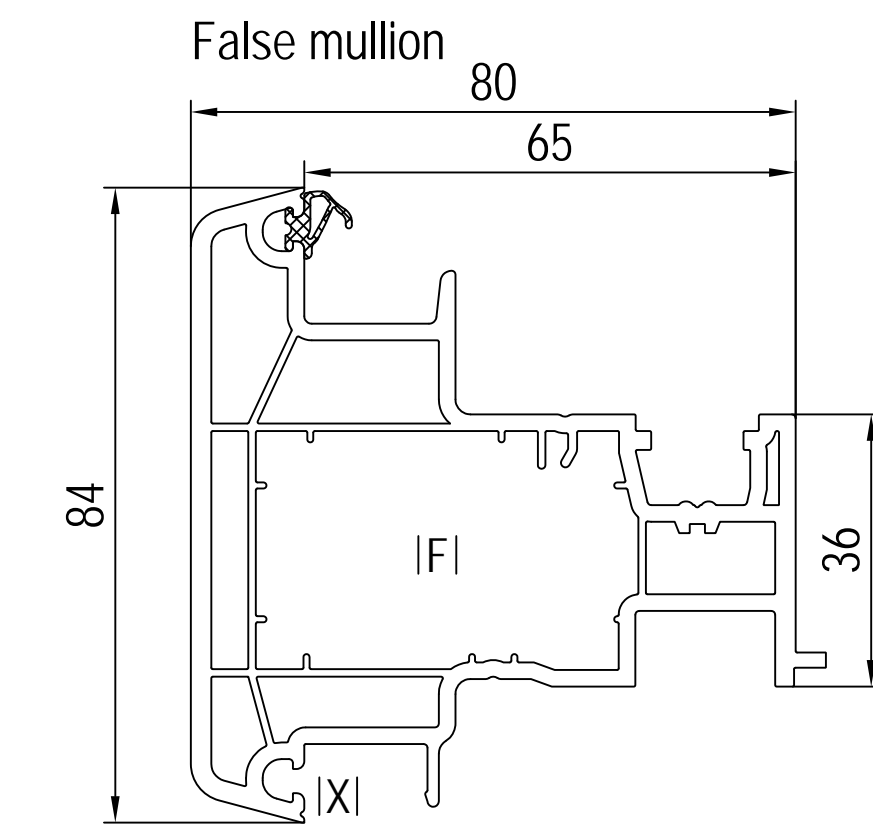
■ **180x47 (CL)** ->180x26, 180x69
AI 620301, 680319
IJI 689147, 689149 - 180x26, 180x69
IJI 680046 - universal
FI 229037
PI 289346



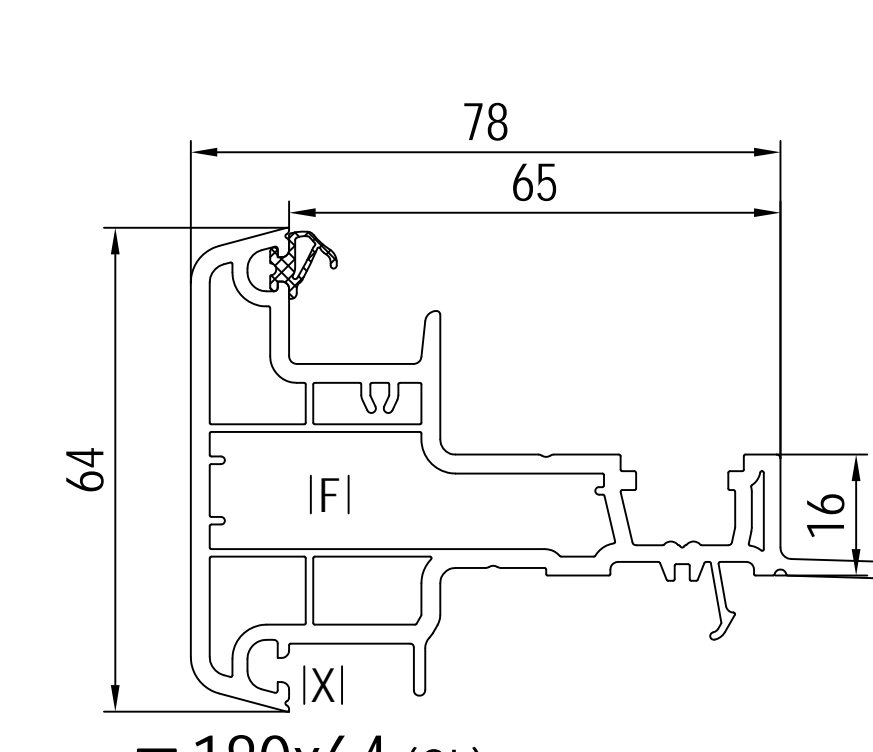
■ **080x89 (CL)** ->080x20, 180x20
AI 650250, 650252, 655251, 680250, 685251 or IJI
CI 680029
FI 289089
IJI 642261, 642262, 642263
PI 289489



■ **180x69 (CL)** ->180x26
AI 620301, 680319
CI 680029
FI 239019, 239020, 249025, 259002, 259025
PI 289369



■ **180x66 (CL)**
CI 680066
FI 229029, 229030, 289066
PI 249341
XI 447340, 449340



■ **180x64 (CL)**
CI 680064
FI 229063
PI 259365
XI 447340, 449340



Ⓢ Bonding of pane Option

□ not laminated
■ laminated

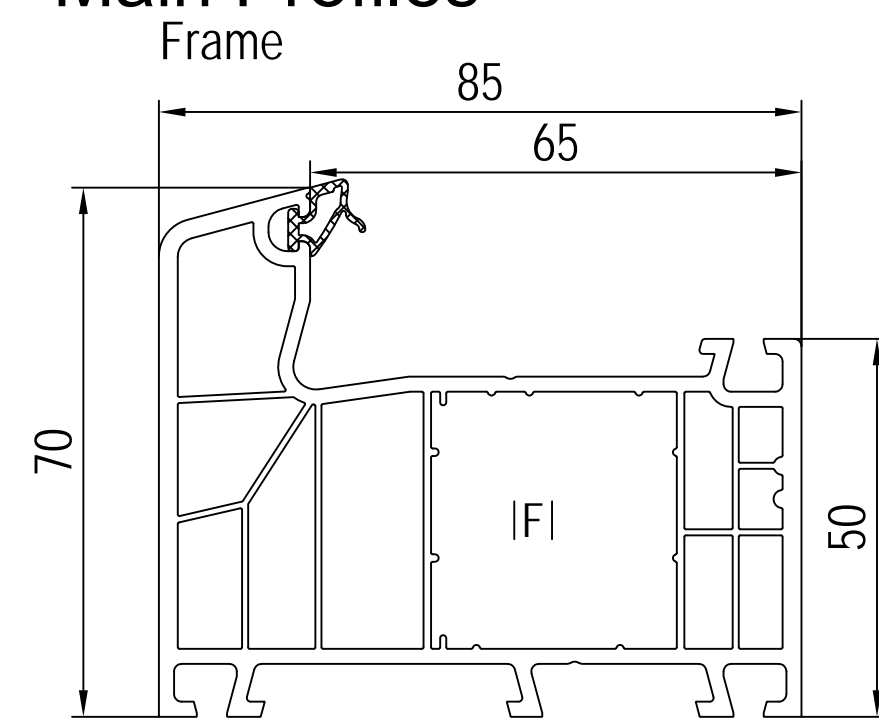
AI Spacer
CI End caps
DI Connector
IJI Connector without sticks
FI Reinforcements
HI Installation / mounting anchor
IJI Bonding of pane
PI **aluskín** Aluminium shells
QI Aluminium step protection
UI Aluminium threshold
VI Connection for threshold
WI Mullion coupler
XI Gaskets
ZI Special accessories

-> for

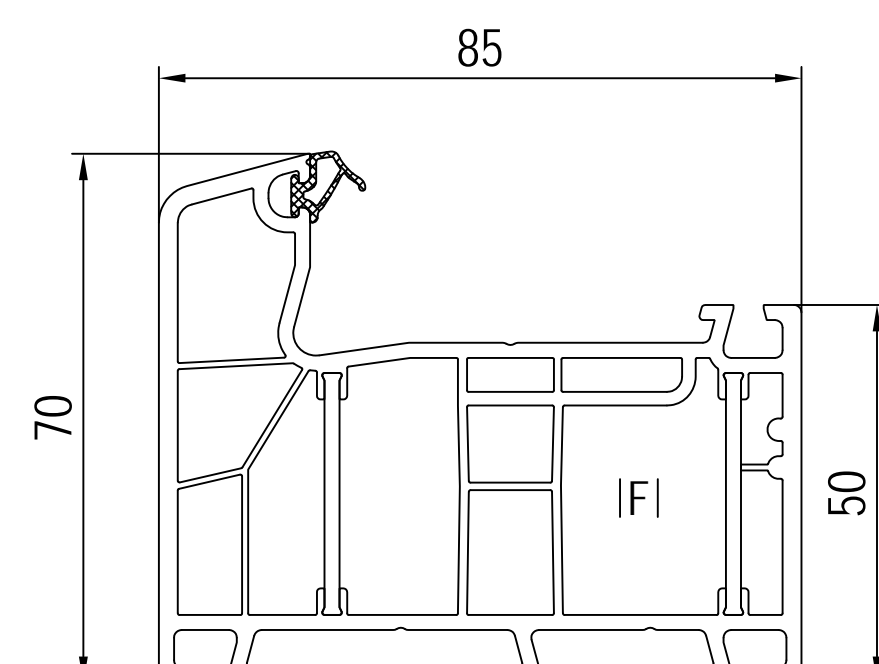
(CL) Classic-line
(RL) Round-line

bl black
wh white

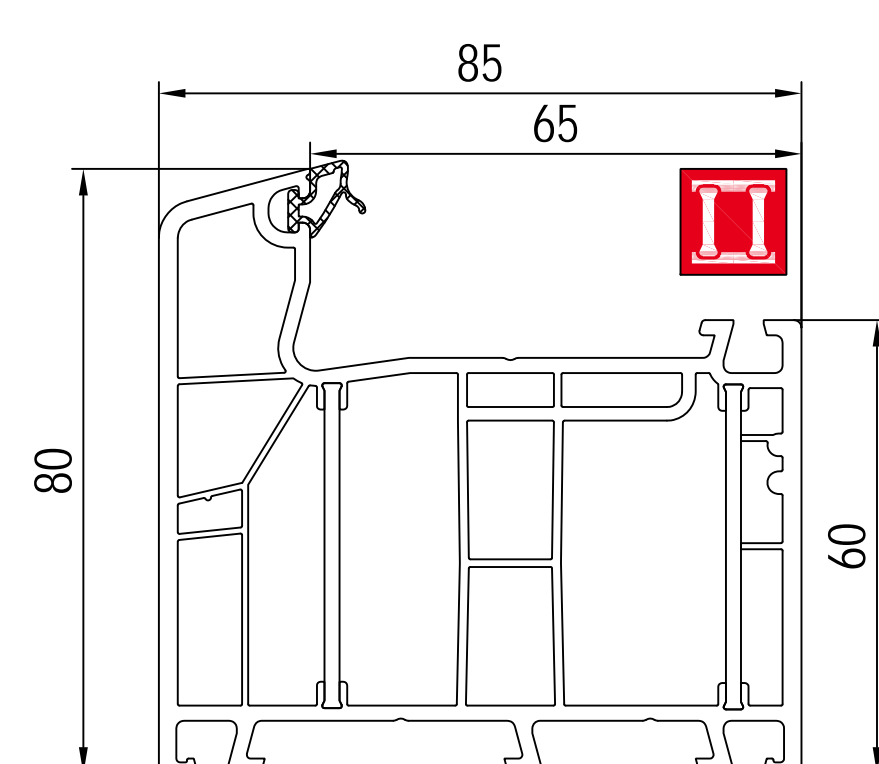
Main Profiles



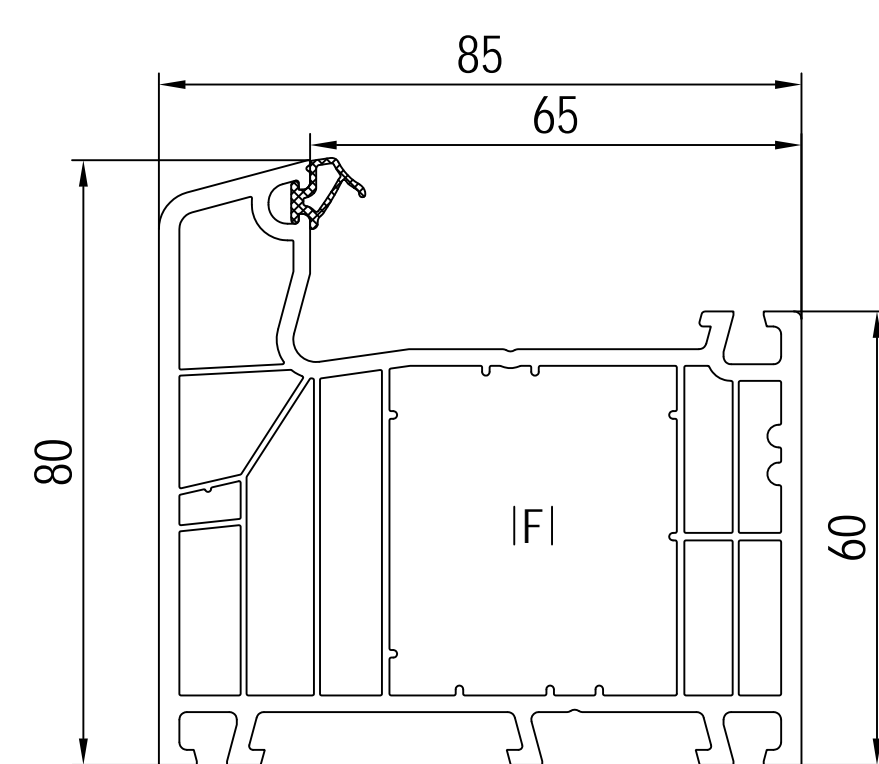
■ 170x02 (CL)
IA| 670301
FI| 249014, 249015, 249016
IP| 279402, 289304
IQ| 287301, 287303
IU| 249058, 269060
IV| 686475 + IX| 486071



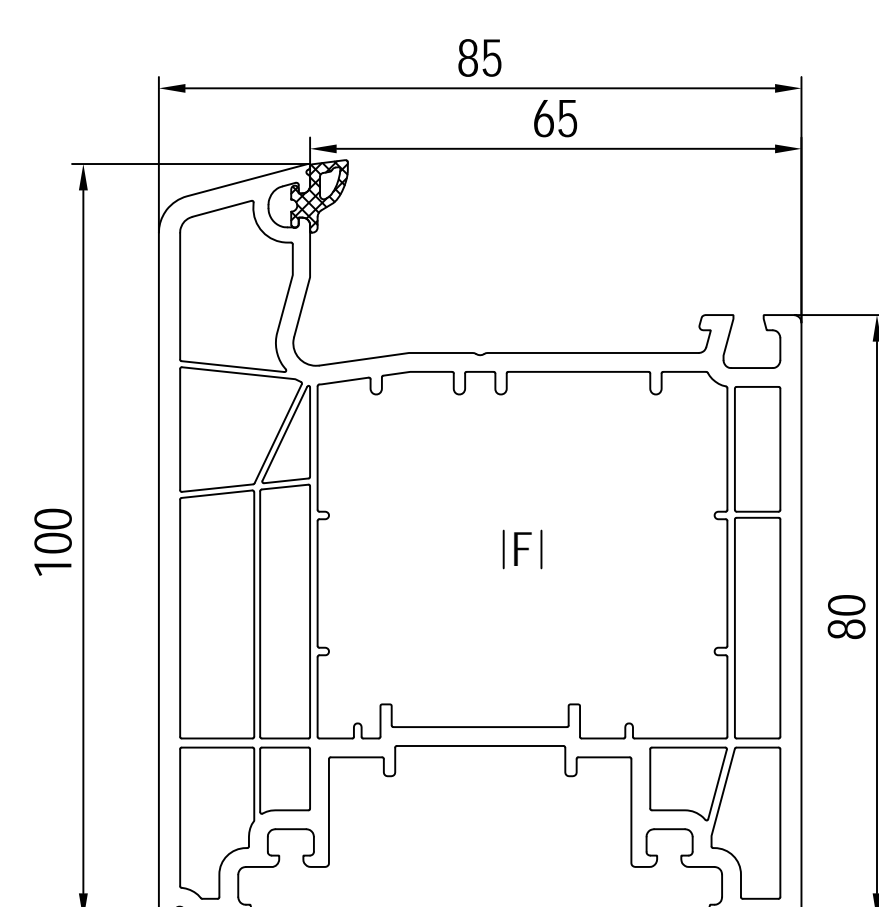
■ 070x02 (CL)
IA| 670301
FI| 229117, 229119
IP| 279402, 289304
IQ| 287301, 287303
IU| 249058, 269060
IV| 686475



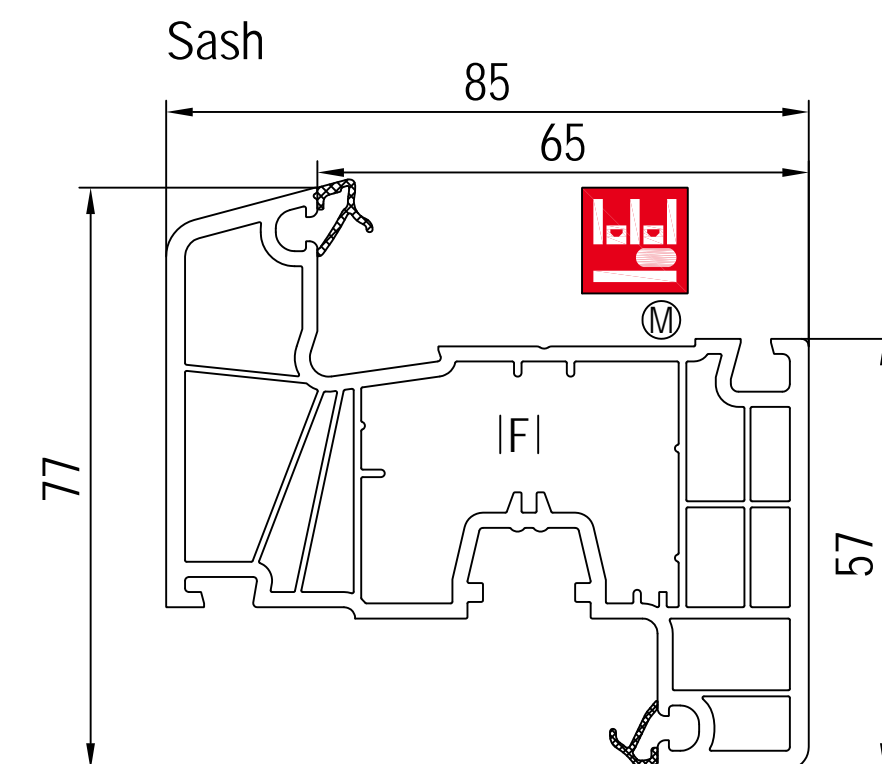
■ 070x03 (CL)
IA| 670301
IP| 289304, 289313
IQ| 287301, 287303
IU| 249058, 269060
IV| 686471 + IX| 486071



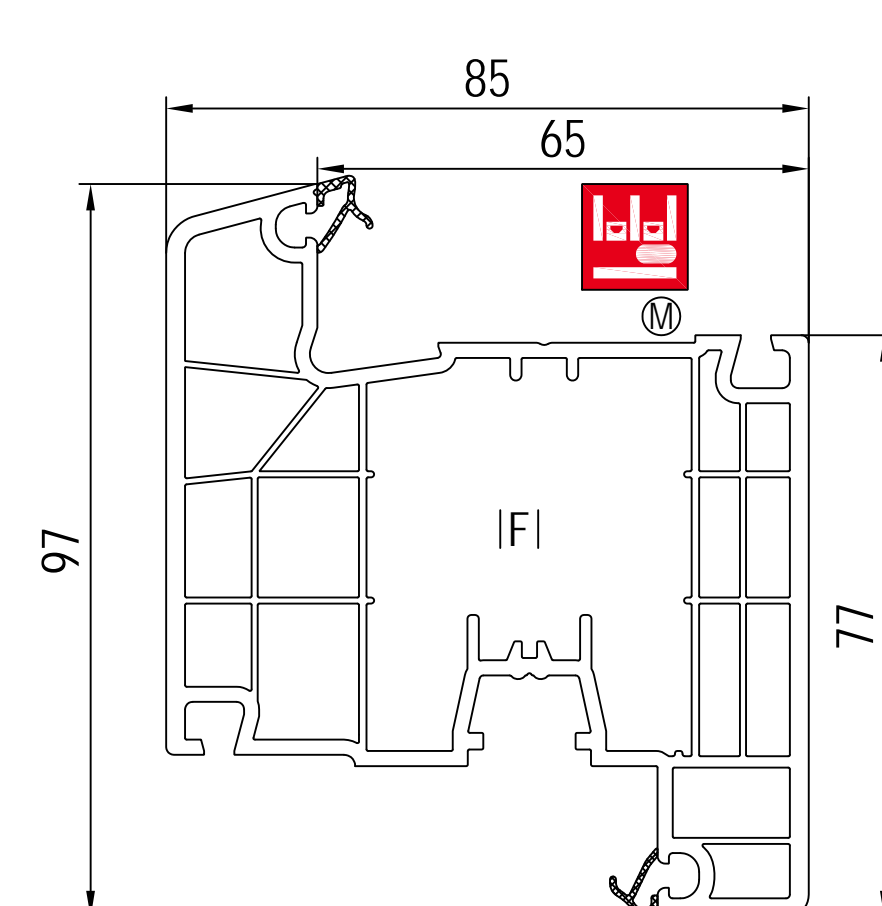
■ 170x03 (CL)
IA| 670301
FI| 229017, 229114, 229115, 229120
IP| 289304, 289313
IQ| 287301, 287303
IU| 249058, 269060
IV| 686471 + IX| 486071



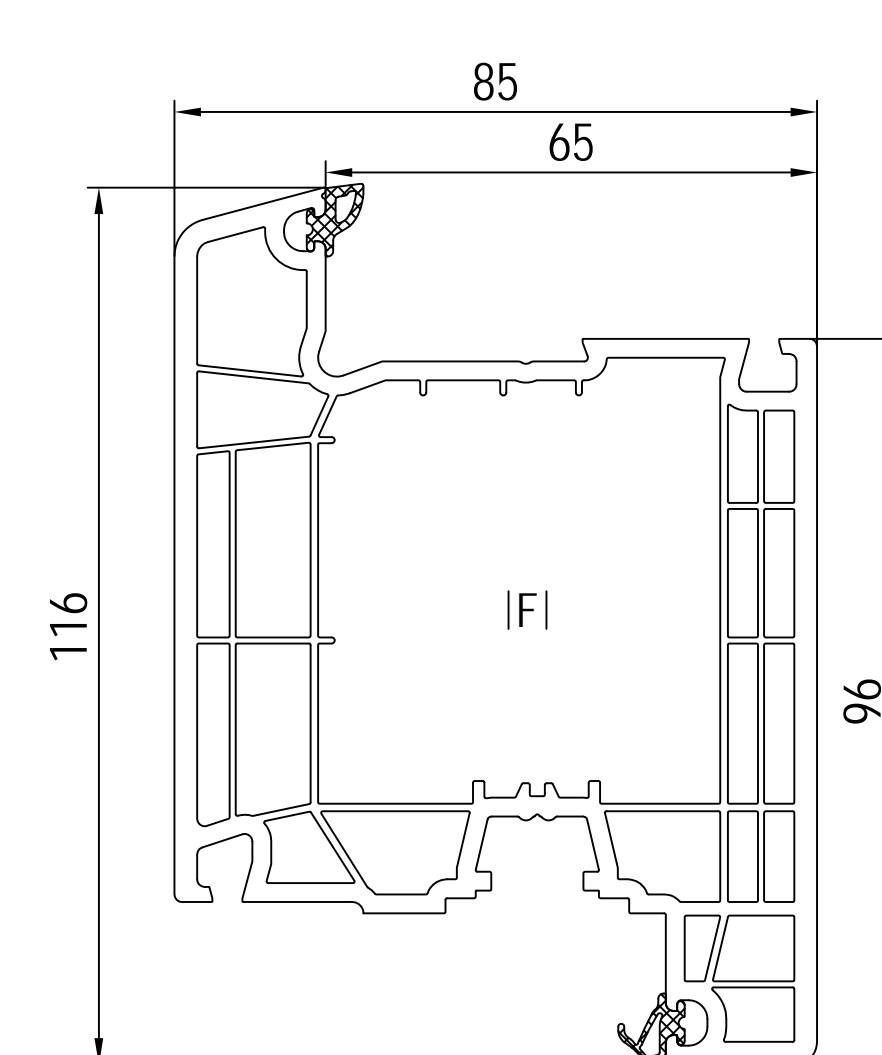
■ 170x81 (CL)
IA| 670301
FI| 229125, 229126
IP| 279381, 289304
IQ| 287301, 287303



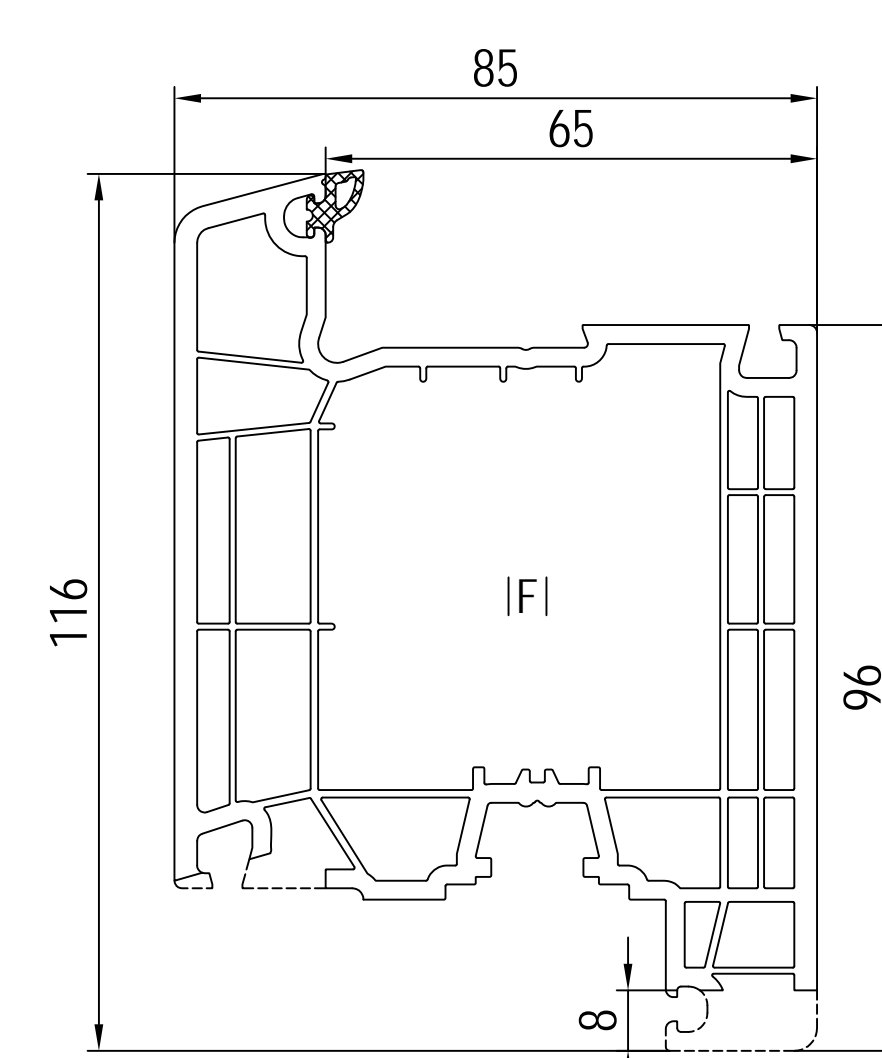
■ 170x20 (CL)
IA| 650250, 650252, 655251,
680250, 685251 or MJ|
FI| 249016, 259020, 259021, 259026
MJ| 642261, 642262, 642263
IP| 279420



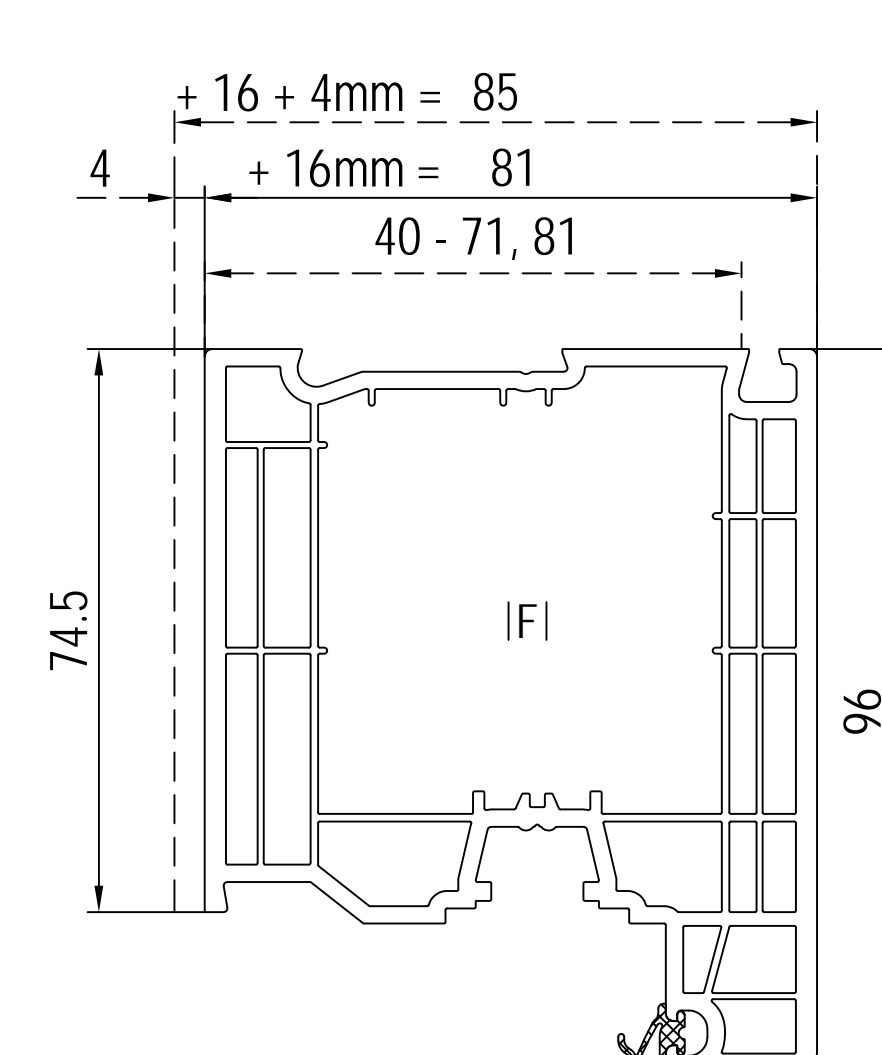
■ 170x30 (CL)
IA| 650250, 650252, 655251,
680250, 685251 or MJ|
FI| 209192, 209193
MJ| 642261, 642262, 642263
IP| 279430



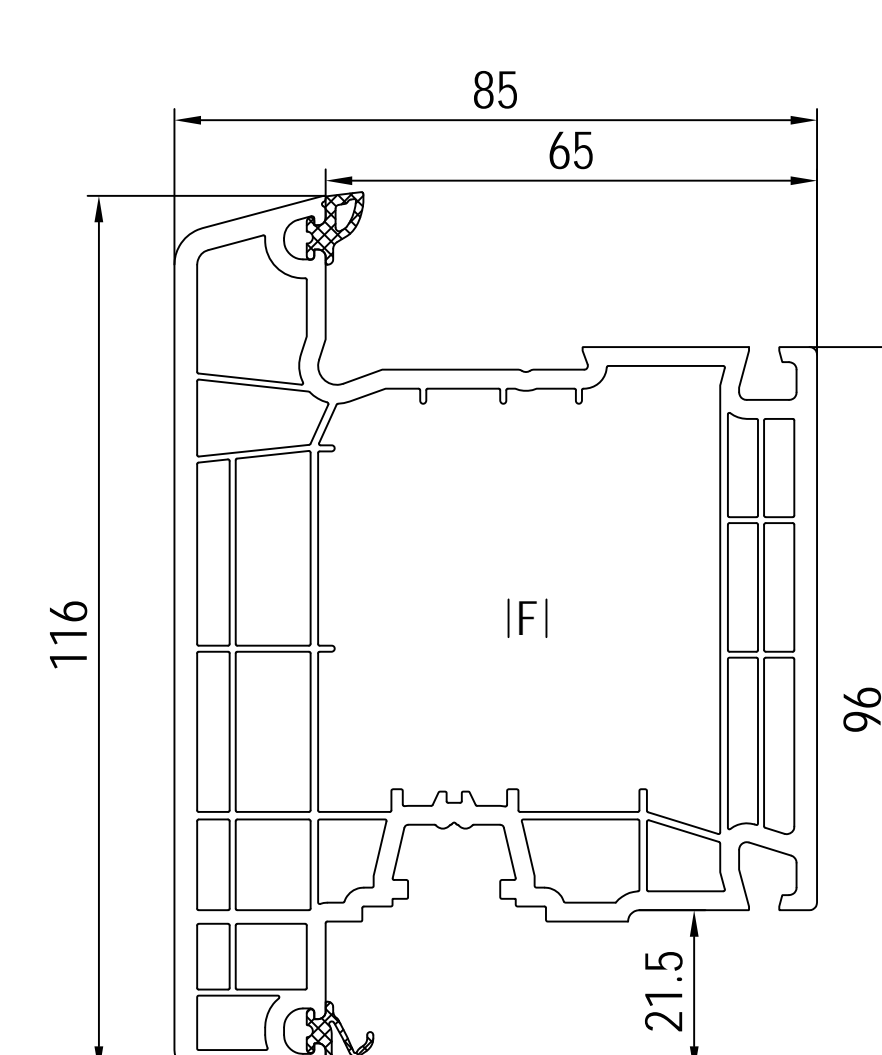
■ 170x33 (CL)
IA| 620301, 620305
FI| 229135, 229137
IP| 279433



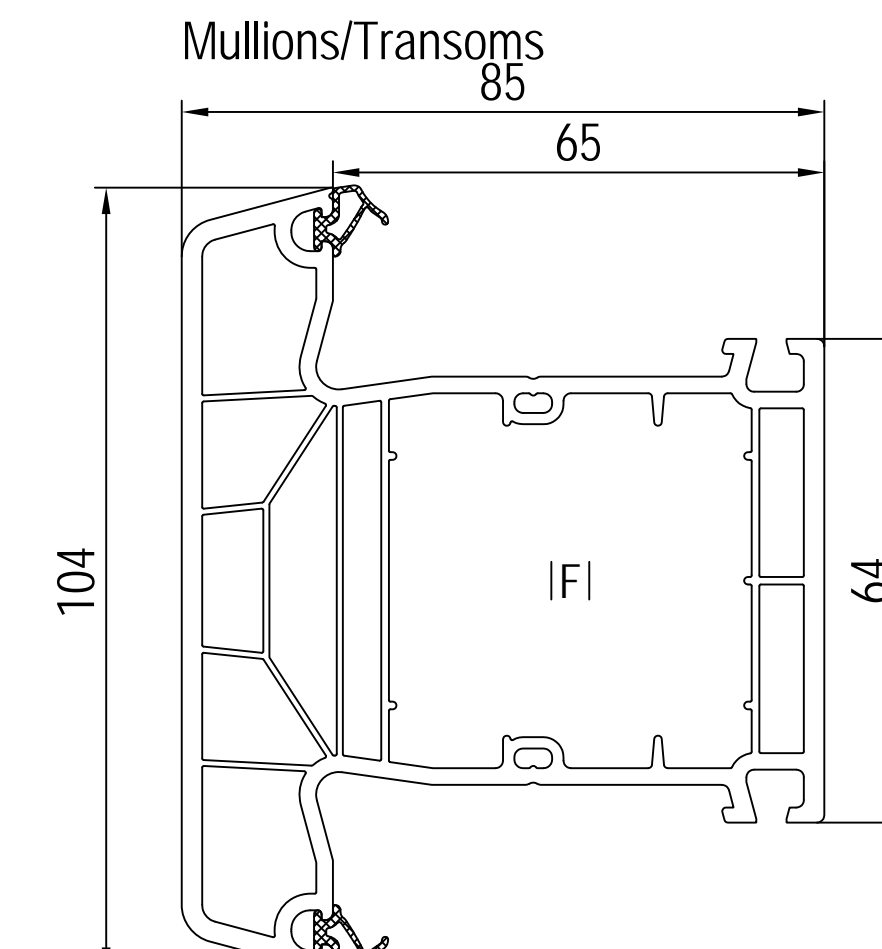
■ 170x36 (CL)
= 170x33 cut
IA| 620301, 620305
FI| 229135, 229137



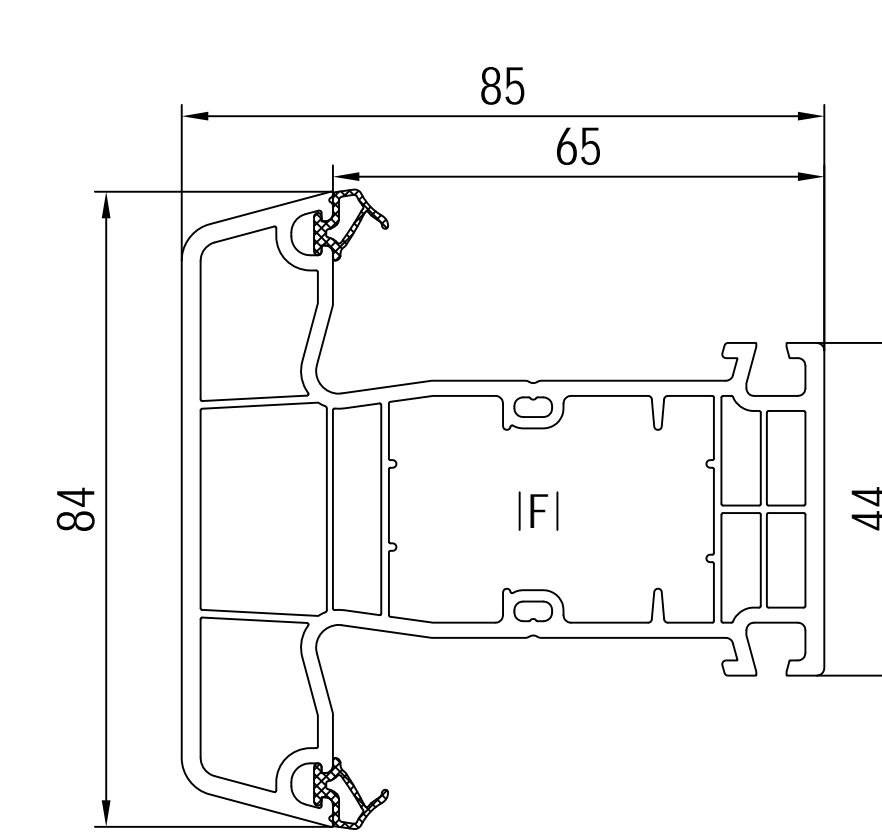
■ 170x39 (CL)
IA| 620301, 620305
FI| 229135, 229137



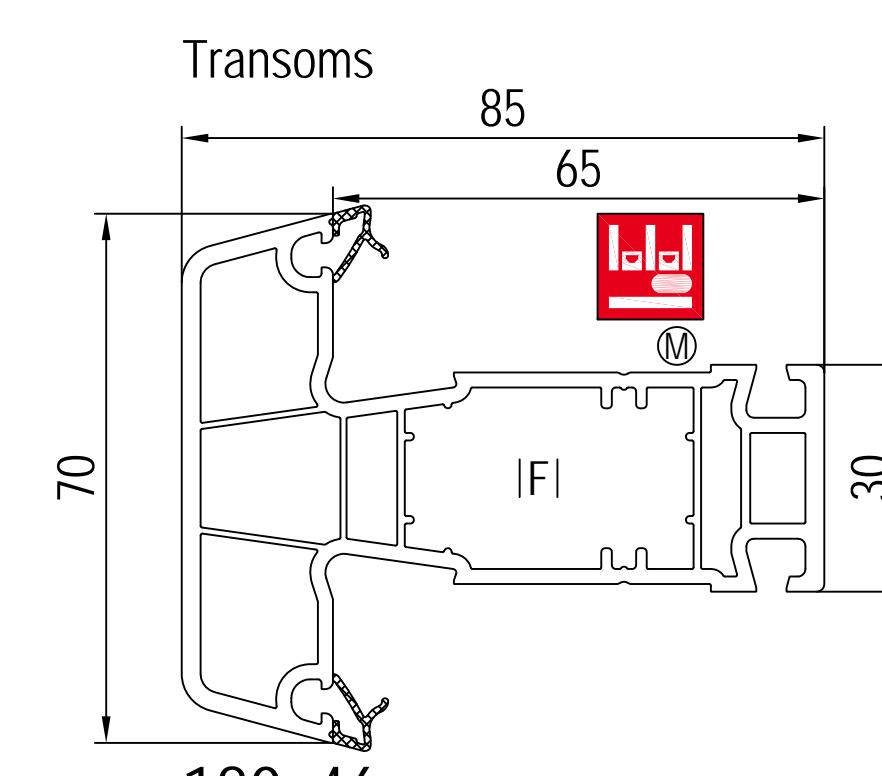
■ 170x35 (CL)
IA| 620301, 620305
FI| 229135, 229137



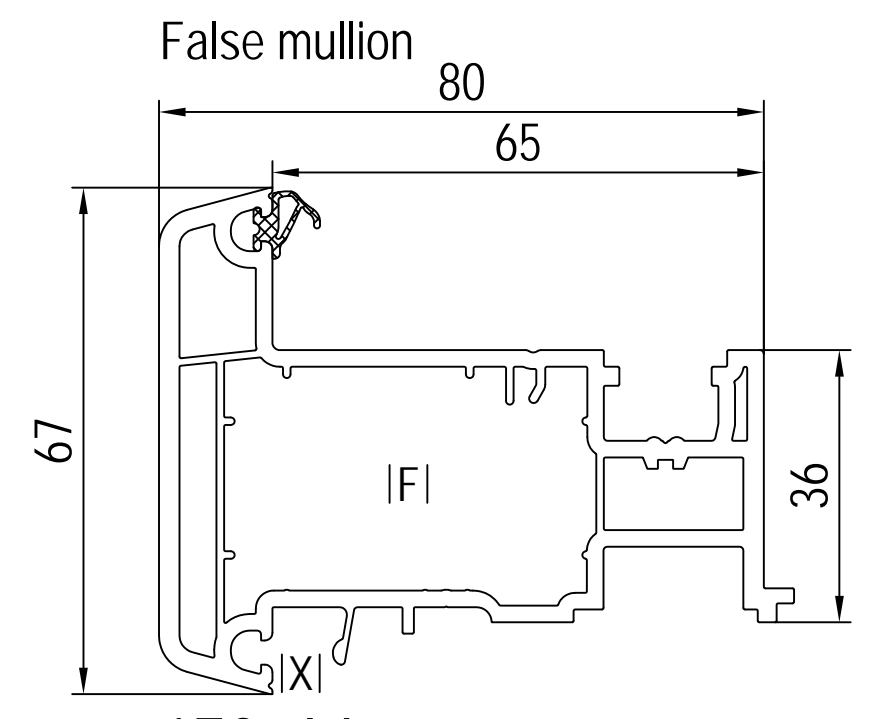
■ 170x44 (CL)
IA| 670301
MJ| 677244 - MJ ...
ID| 677145, 677146 - 170x4x ...
ID| 677144 - 170x3x ...
ID| 640046 - universal
FI| 249034, 249035
IP| 289343
IU| 249058, 269060
IV| 686473



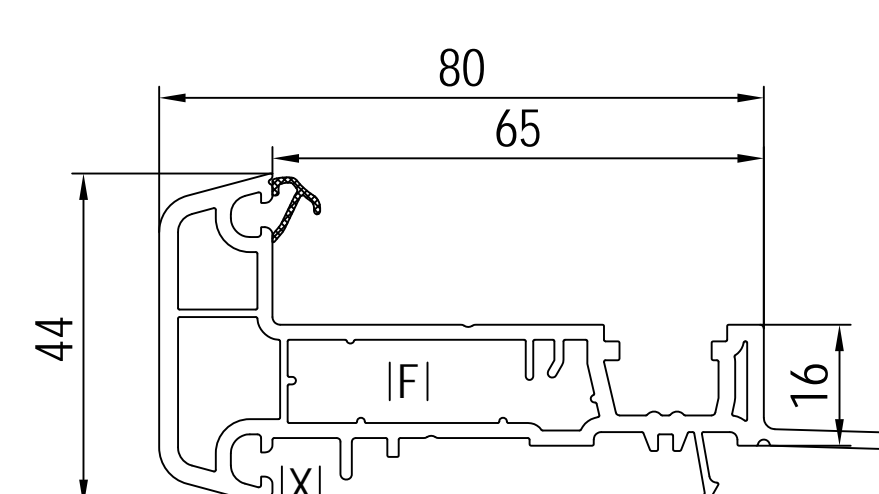
■ 170x41 (CL)
IA| 670301
MJ| 677241 - MJ ...
ID| 677101, 679141 - 170x4x ...
ID| 677142 - 170x3x ...
ID| 620046, 640046 - universal
FI| 259043, 259044
IP| 289341



■ 180x46 (CL)
IA| 650250, 650252, 655251,
680250, 685251 or MJ|
MJ| 687246 - MJ ...
ID| 680046 - universal
FI| 229037
MJ| 642261, 642262, 642263
IP| 289346



■ 170x64 (CL)
CI| 670064
FI| 229029, 229030, 289066
IP| 279364
IX| 447340, 449340

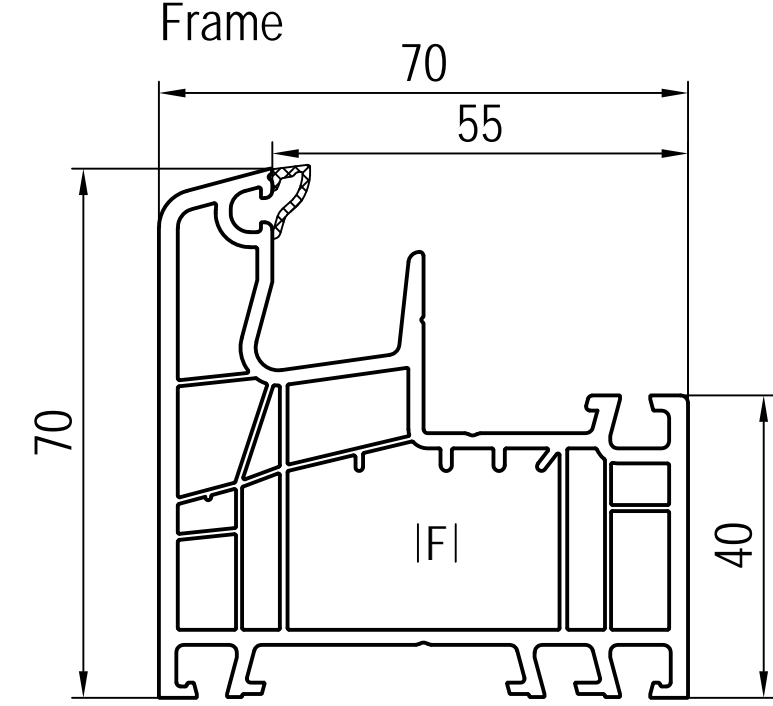


■ 170x65 (CL)
CI| 670365 + 670465
FI| 259080
IP| 249365
IX| 447340, 449340

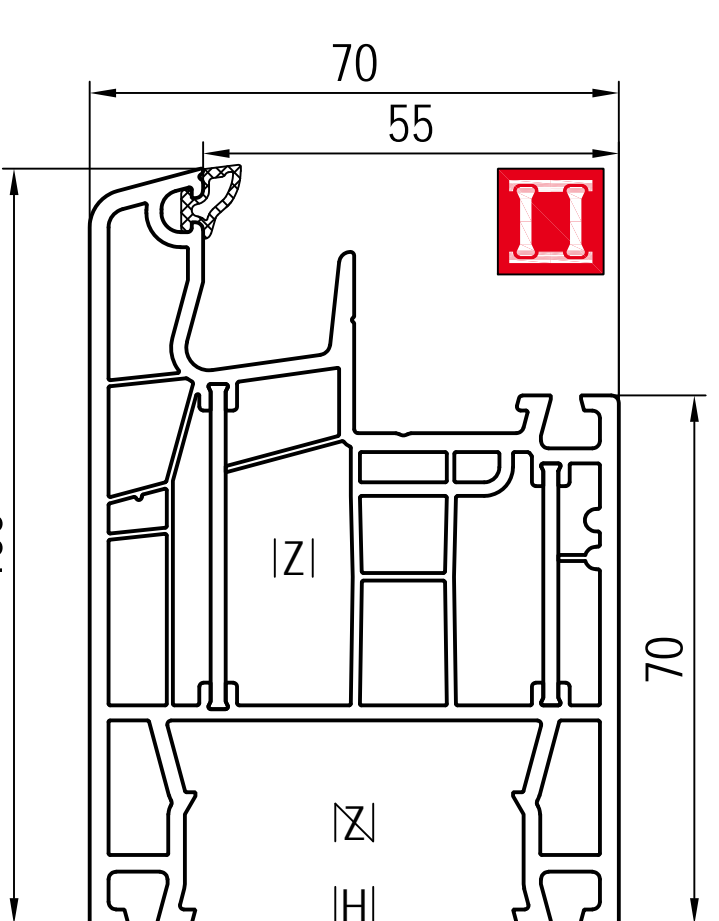


- ⊗ Bonding of pane Option
- not laminated
- laminated
- IA| Spacer
- CI| End caps
- ID| Connector
- ID| Connector without sticks
- FI| Reinforcements
- IJ| Bonding of pane
- IP| **aluskin** Aluminium shells
- IQ| Aluminium step protection
- IU| Aluminium threshold
- IV| Connection for threshold
- MJ| Mullion coupler
- IX| Gaskets
- > for
- (CL) Classic-line

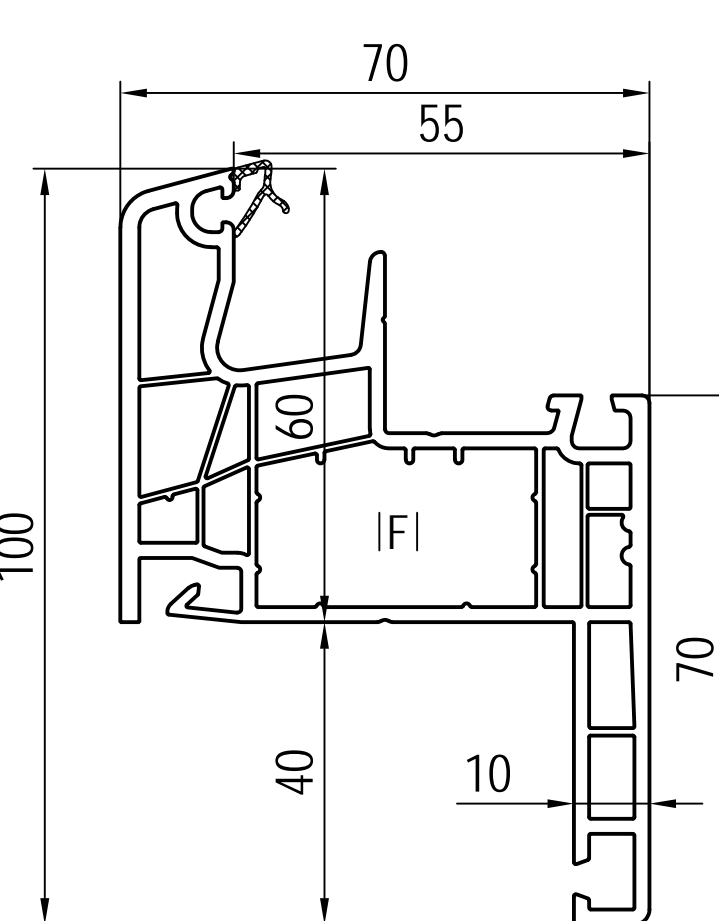
Main Profiles



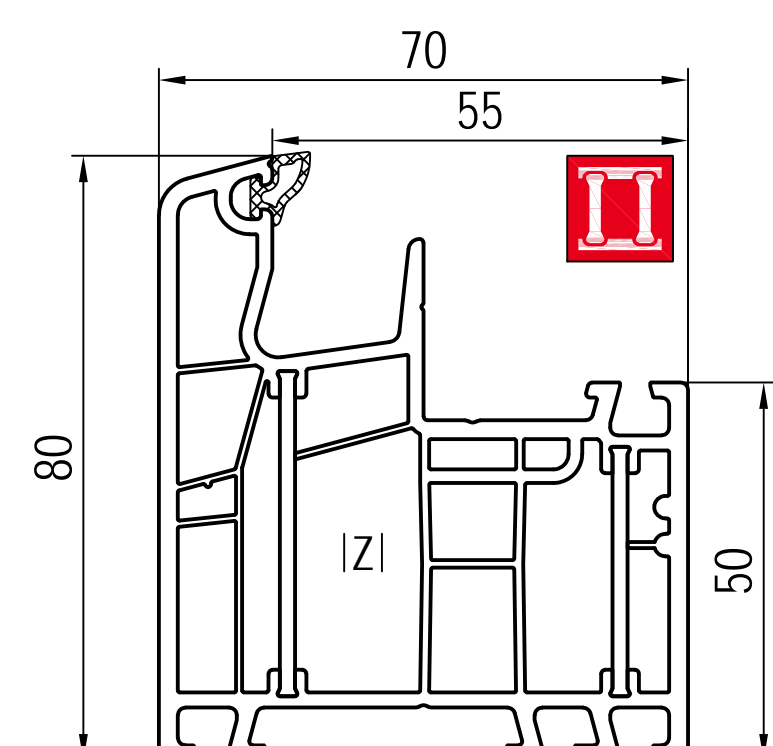
■ 150x02 (CL)
IAI 650016, 650018, 650019, 650321
IFI 229098, 229100, 229101, 249004
IPI 249312, 259304
IQI 227300, 227303, 227305
IUJ 249058, 249060, 269060
IVI 646071 + IXI 446071



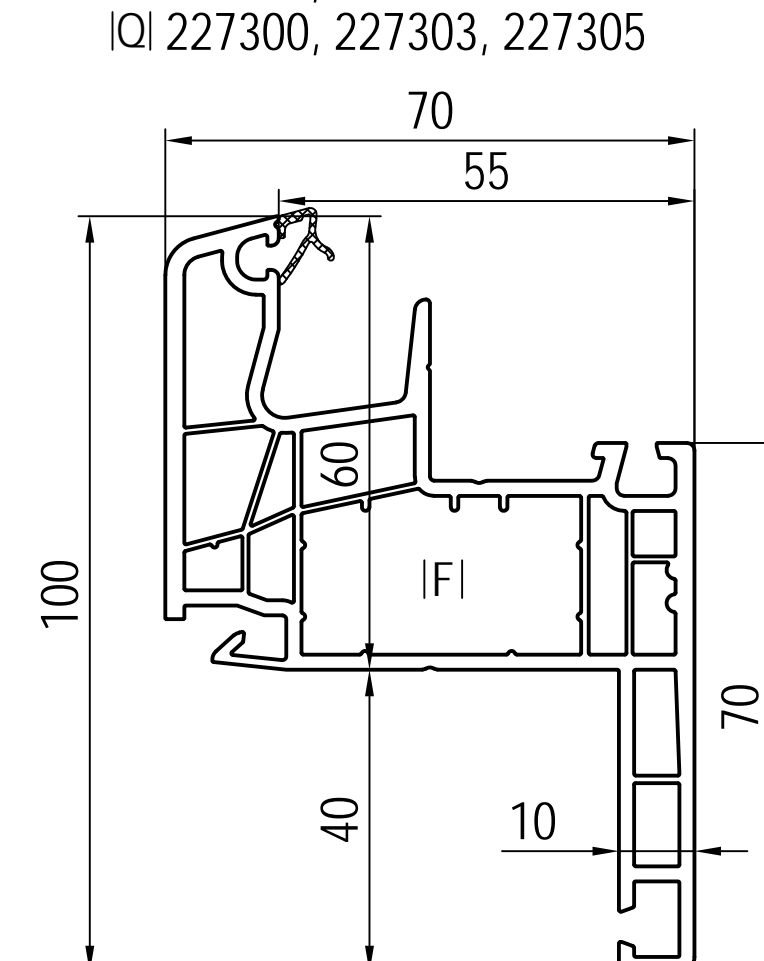
■ 050x04 (CL)
IAI 650016, 650018, 650019, 650321
IH 685058
IPI 249314, 259304
IQI 227300, 227303, 227305
IUJ 249058, 249060, 269060
IVI 656078
IZI 650290 IZI 650292



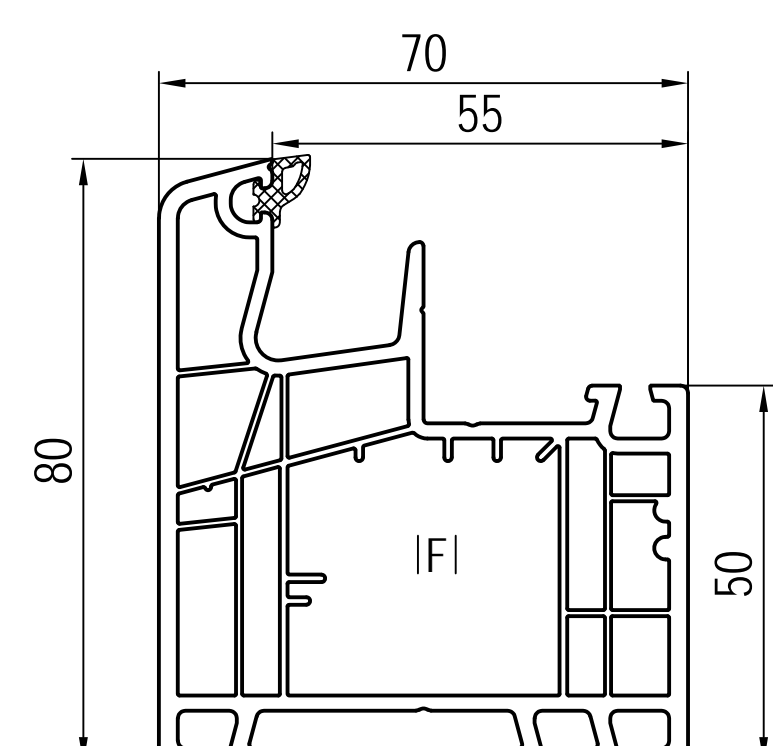
■ 150x11 (CL)
IAI 650016, 650018, 650019, 650321
IFI 229037
IPI 259304, 259311
IQI 227300, 227303, 227305



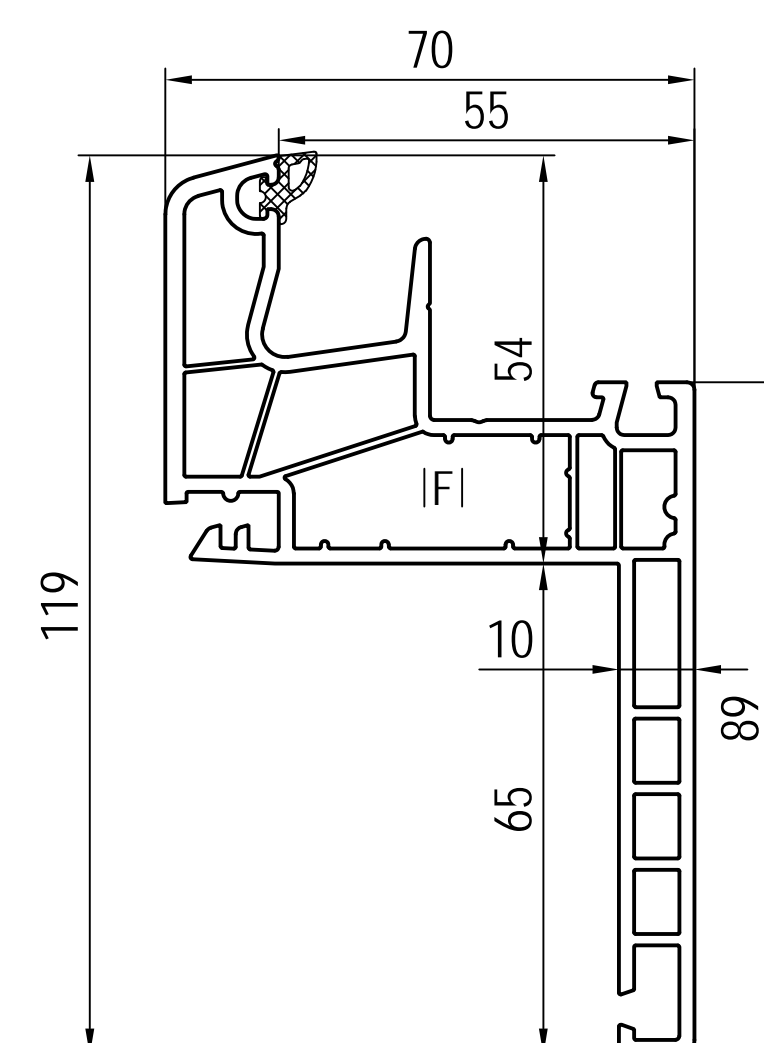
■ 050x03 (CL)
IAI 650016, 650018, 650019, 650321
IPI 249313, 259304
IQI 227300, 227303, 227305
IUJ 249058, 249060, 269060
IVI 646072 + IXI 446071
IZI 650290



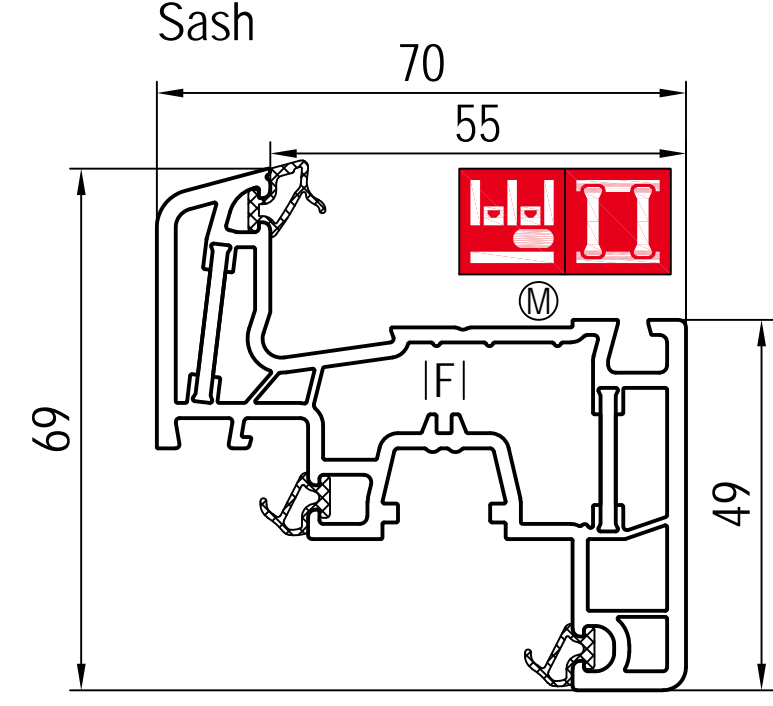
■ 150x110000011 (CL)
IAI 650016, 650018, 650019, 650321
IFI 229037
IPI 259304
IQI 227300, 227303, 227305



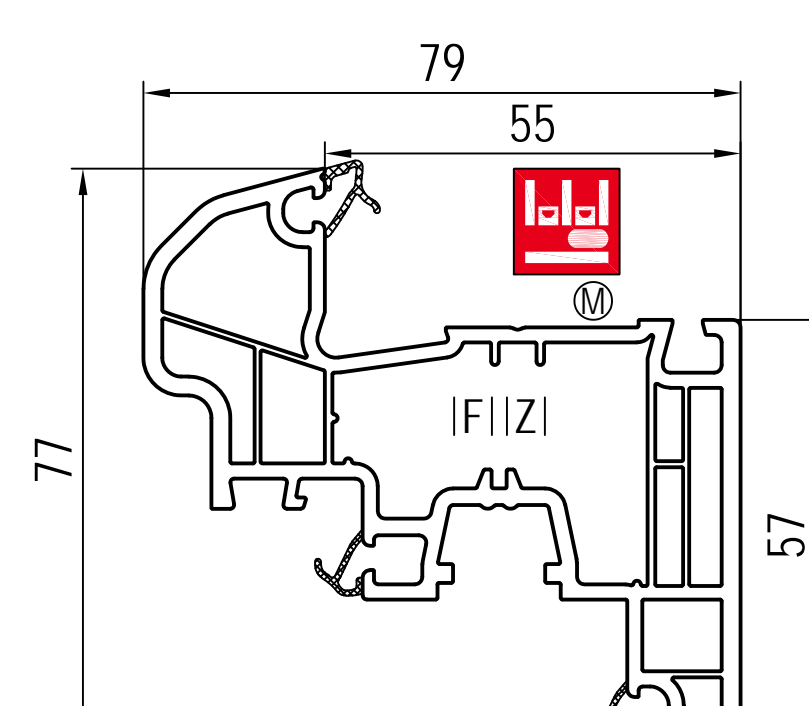
■ 150x03 (CL)
IAI 650016, 650018, 650019, 650321
IFI 229112, 229113, 229121, 239019,
239020, 249014, 249015, 259010,
259011
IPI 249313, 259304
IQI 227300, 227303, 227305
IUJ 249058, 249060, 269060
IVI 646072 + IXI 446071



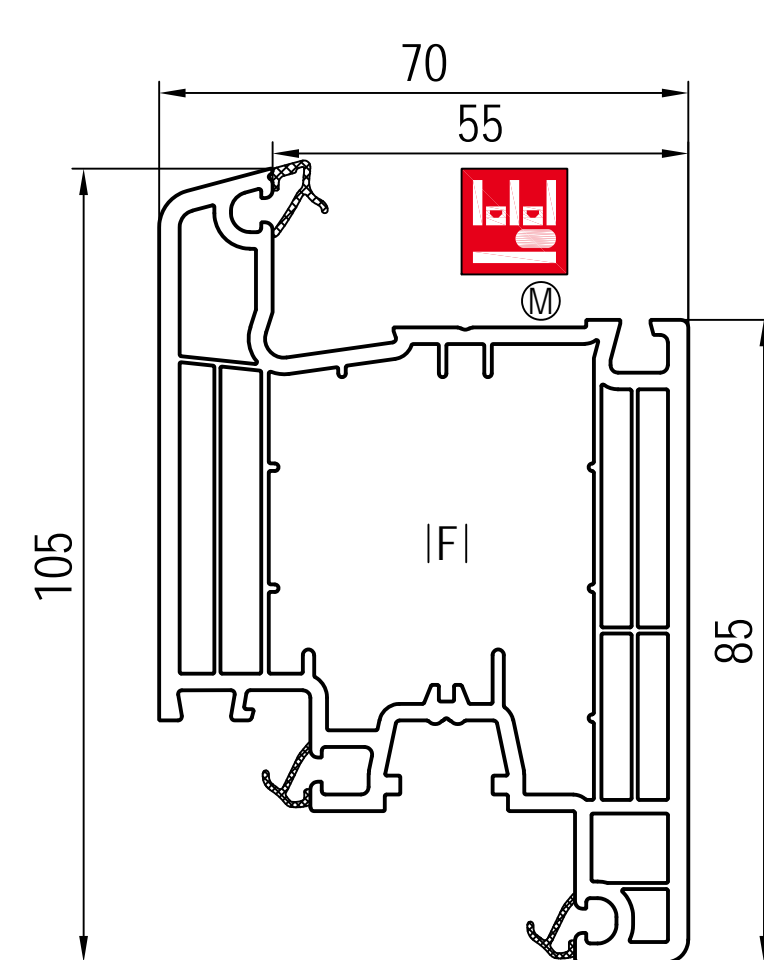
■ 150x10 (CL)
IAI 650016, 650018, 650019, 650321
IFI 229045
IPI 259304, 259310
IQI 227300, 227303, 227305



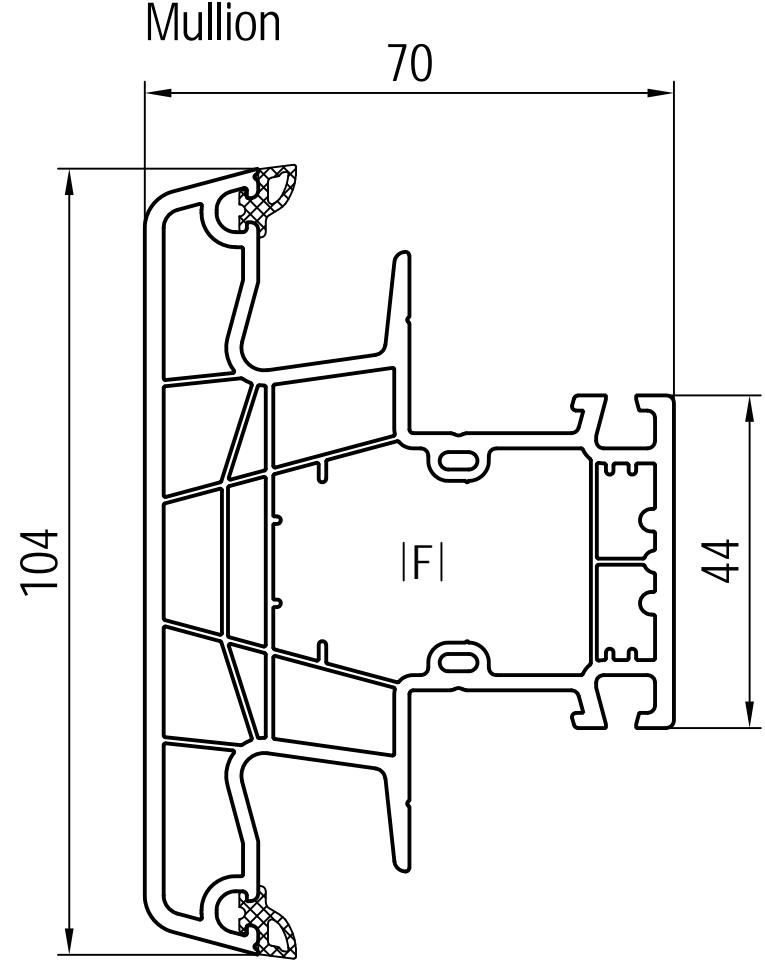
■ 050x24 (CL)
IAI 650250, 650252, 655251
or IJI
IFI 259024, 259028
IJI 642261, 642262, 642263
IPI 259424



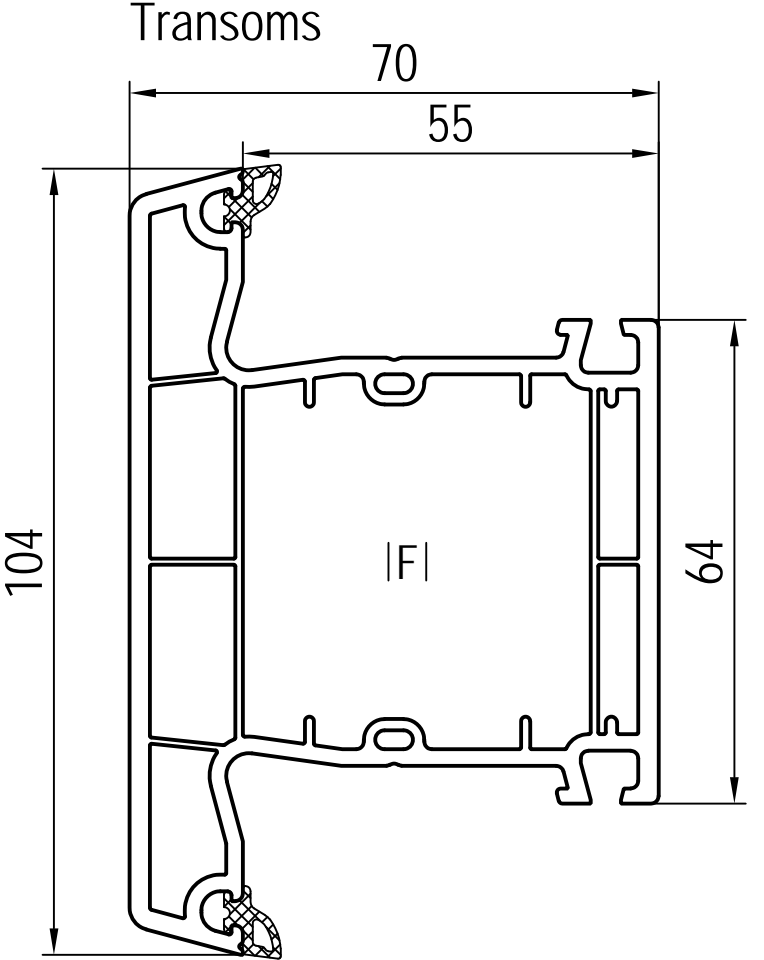
■ 150x26 (CL) -> 150x69
IAI 650250, 650252, 655251
or IJI
IFI 259020, 259021, 259026
IJI 642261, 642262, 642263
IPI 259326
IZI 650295



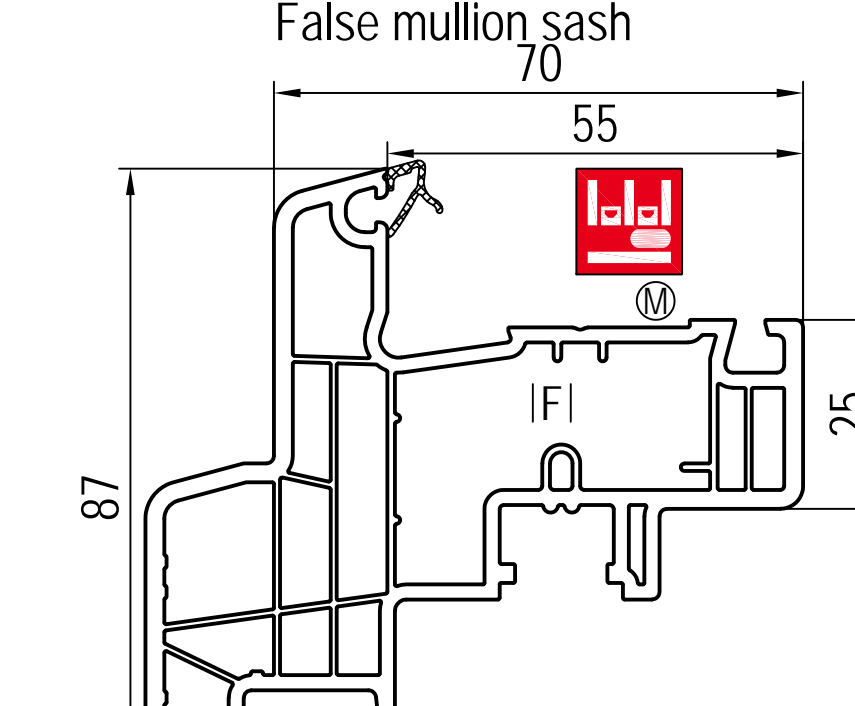
■ 150x30 (CL)
IAI 650250, 650252, 655251
or IJI
IFI 229114, 229115, 259031
IJI 642261, 642262, 642263
IPI 259430



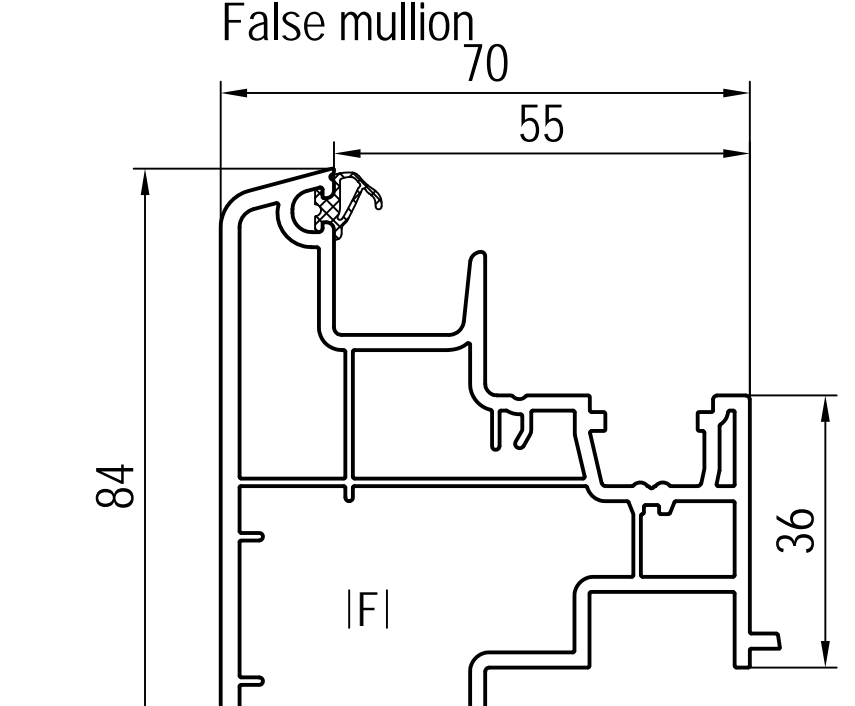
■ 150x43 (CL)
IAI 650016, 650018, 650019, 650321
ID 657130, 657134 -150x0x ...
IPI 657030 -150x0x ...
IPI 620046 - universal
IXI 659032, 659033bl
IXI 650032, 650033wh
IFI 259043, 259044
IPI 249343
IUJ 249058, 249060, 269060
MI 646075



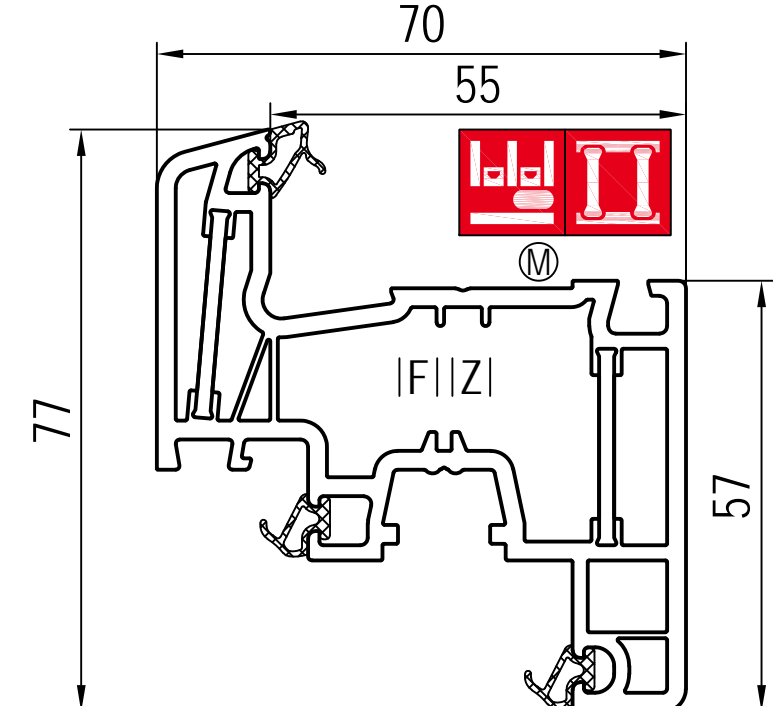
■ 140x45 (CL)
IAI 640301, 640311, 640320
IPI 647245 - ...
IPI 677133 IPI 647136,
677103 -140x4x ...
IPI 640046 - universal
IFI 249034, 249035
IPI 249343



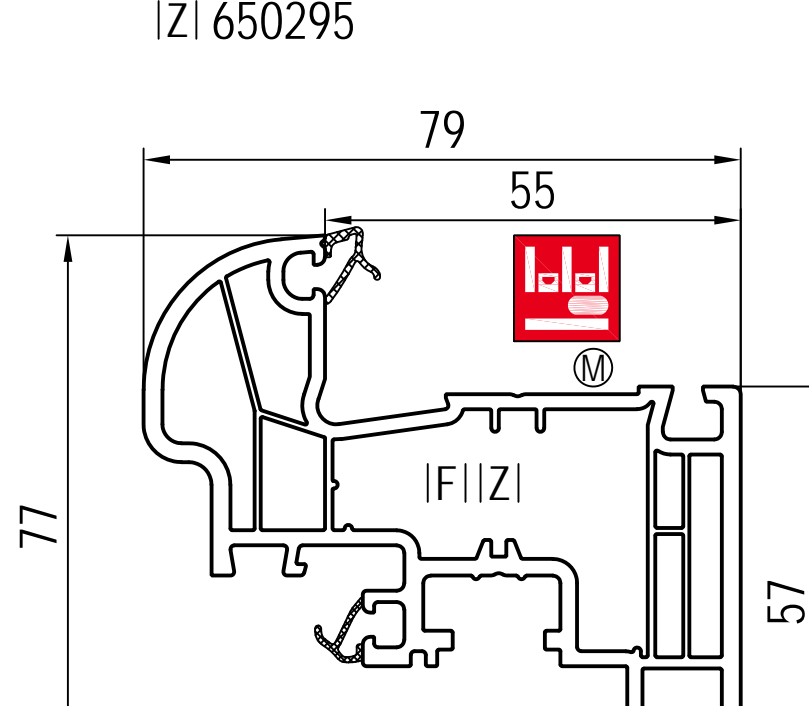
■ 150x68 (CL) -> 050x20,
150x20
IAI 650250, 650252, 655251
or IJI
ICI 650029
IFI 259020, 259021, 259026
IJI 642261, 642262, 642263
IPI 259368



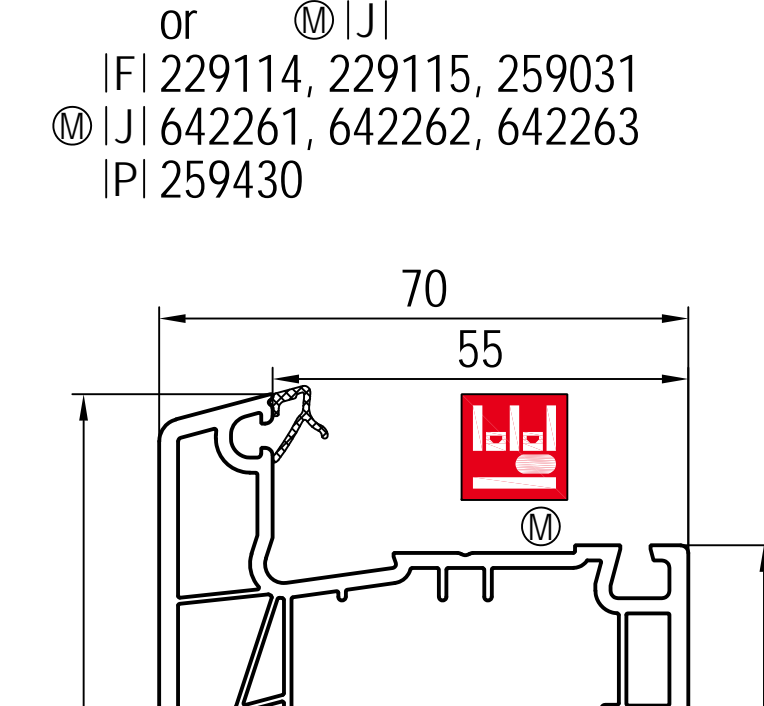
■ 150x67 (CL)
ICI 650067
IFI 259067
IPI 249341
IXI 447340, 449340



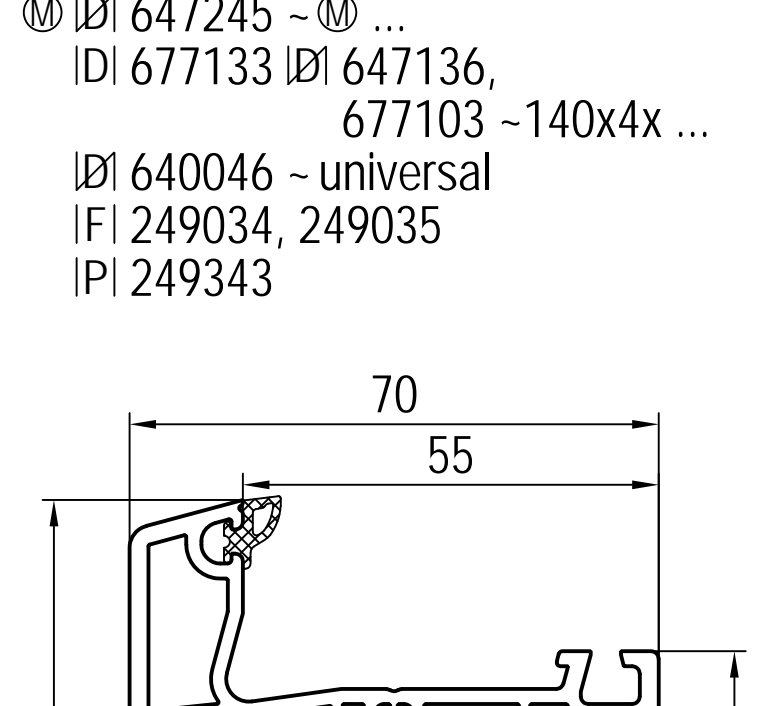
■ 050x20 (CL) ->150x68
IAI 650250, 650252, 655251
or IJI
IFI 259020, 259021, 259026
IJI 642261, 642262, 642263
IPI 259450
IZI 650295



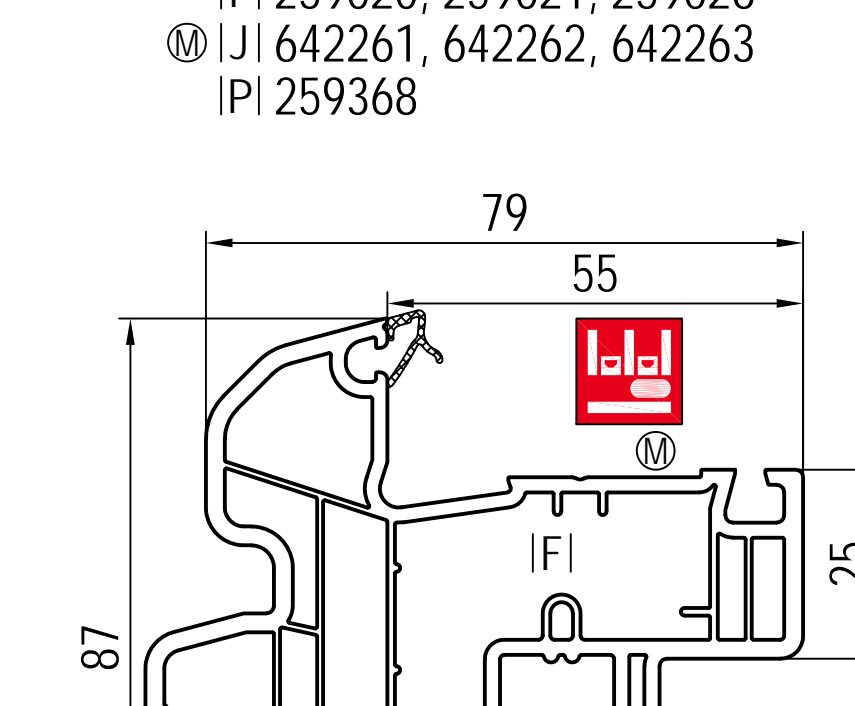
■ 150x22 (RL)
IAI 650250, 650252, 655251
or IJI
IFI 259020, 259021, 259026
IJI 642261, 642262, 642263
IZI 650295



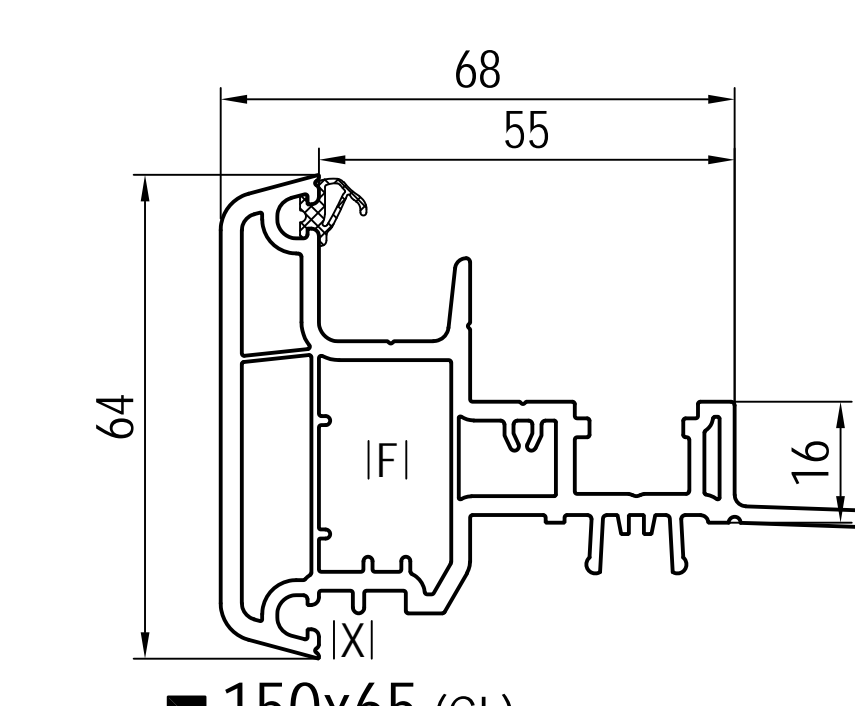
■ 150x31 (CL)
IAI 650250, 650252, 655251
or IJI
IFI 229114, 229115, 259031
IJI 642261, 642262, 642263



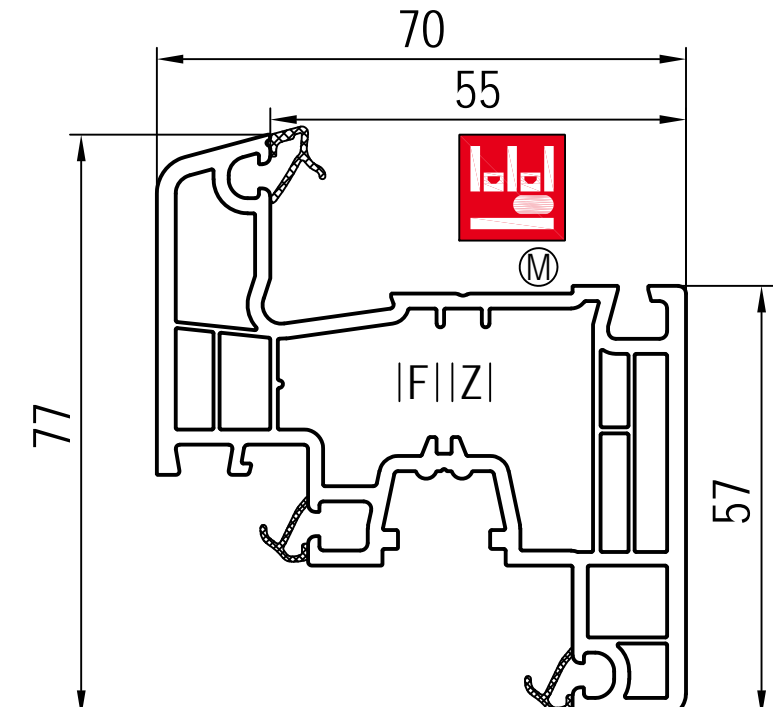
■ 140x41 (CL)
IAI 640301, 640311, 640320
IPI 647241 - ...
IPI 647131, 649131, 647132 -140x4x ...
IPI 647101, 649101, 647102 -140x4x ...
IPI 620046 - universal
IFI 229098, 229100, 229101
IPI 249341



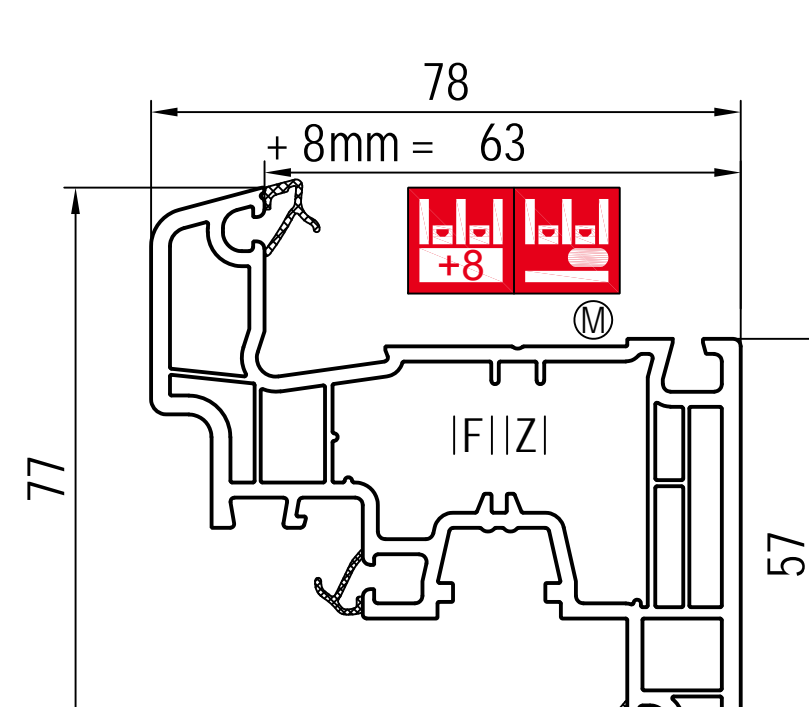
■ 150x69 (CL) -> 150x26
IAI 650250, 650252, 655251
or IJI
ICI 650029
IFI 259020, 259021, 259026
IJI 642261, 642262, 642263
IPI 259369



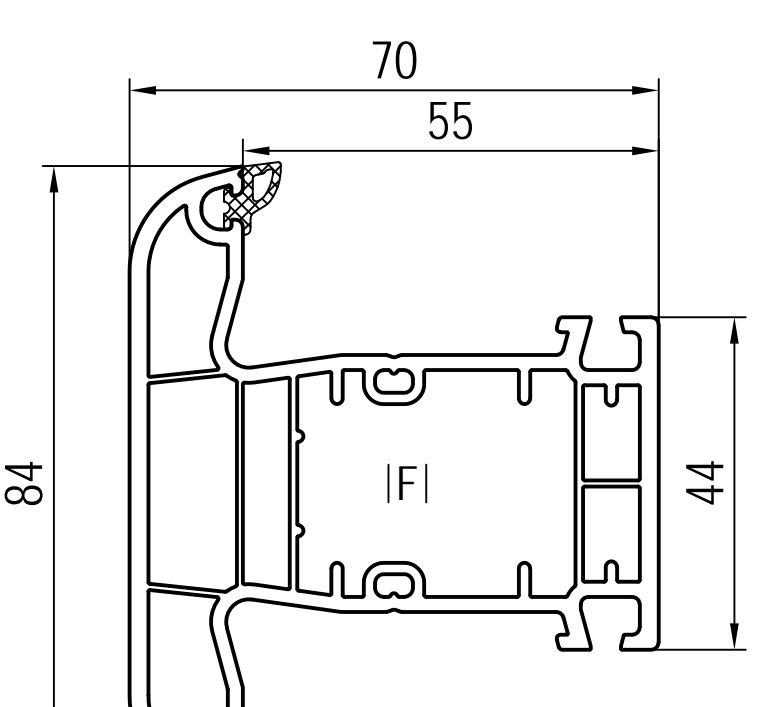
■ 150x65 (CL)
ICI 650065
IFI 229107
IPI 259365
IXI 447340, 449340



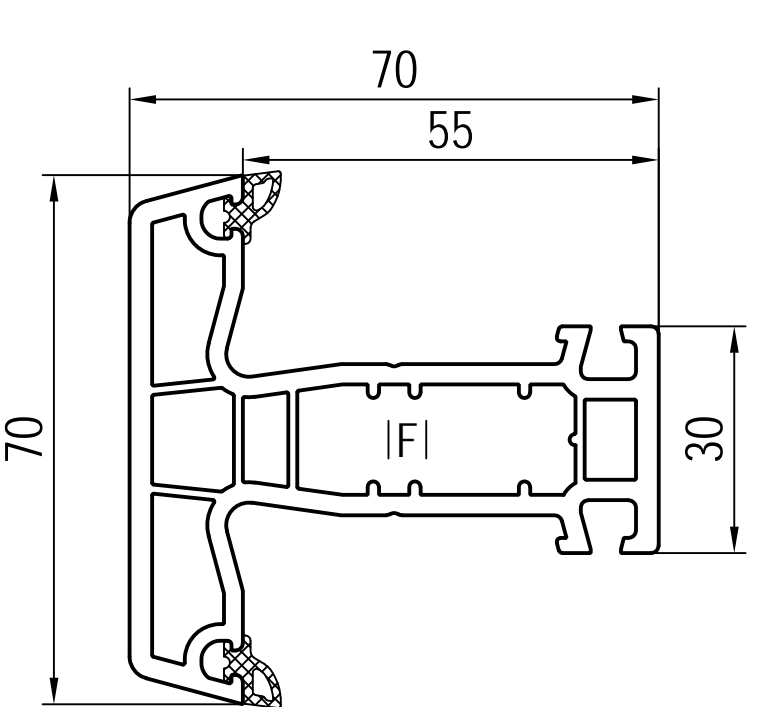
■ 150x20 (CL) ->150x68
IAI 650250, 650252, 655251
or IJI
IFI 259020, 259021, 259026
IJI 642261, 642262, 642263
IPI 259450
IZI 650295



■ 150x27 (CL)
IAI 650250, 650252, 655251,
680250, 685251 or IJI
IFI 259020, 259021, 259026
IJI 642261, 642262, 642263
IPI 259450
IZI 650295



■ 140x47 (RL)
IAI 640301, 640311, 640320
IPI 647241 - ...
IPI 647131, 649131, 647132 -140x4x ...
IPI 647101, 649101, 647102 -140x4x ...
IPI 620046 - universal
IFI 229098, 229100, 229101



■ 140x46 (CL)
IAI 640301, 640311, 640320
IPI 647246 - ...
IPI 647105 -140x4x ...
IFI 249019
IPI 249346

⊗ Bonding of pane Option

□ not laminated
■ laminated

IAI Spacer
ICI End caps
IDI Connector
IPI Connector without sticks
IFI Reinforcements
IHI Installation / mounting anchor
IJI Bonding of pane
IPI **aluskín** Aluminium shells
IQI Aluminium step protection
IUJ Aluminium threshold
IVI Connection for threshold
MI Mullion coupler
IXI Gaskets
IZI Special accessories

-> for

(CL) Classic-line
(RL) Round-line

bl black
wh white

Main Profiles

040x02 (CL)
IAI 640301, 640311, 640320
IFI 259304
IUI 227300, 227303, 227305
IUI 249058, 249060, 269060
IVI 646022 + IXI 446071

040x92 (CL)(MB)
IAI 640301, 640311, 640320
IFI 227300, 227303
IUI 249058
IVI 646079

140x01 (CL)
IAI 640301, 640311, 640320
IFI 229023, 229024, 229025, 229026, 229029, 229030, 249010, 249026
IPI 259304
IQI 227300, 227303, 227305

140x03 (CL)
IAI 640301, 640311, 640320
IFI 229017, 229114, 229115, 229120
IPI 249313, 259304
IQI 227300, 227303, 227305
IUI 249058, 249060, 269060
IVI 646072 + IXI 446071

140x09 (CL)
IAI 640301, 640311, 640320
IFI 229098, 229100, 229101, 249004
IPI 259304
IQI 227300, 227303, 227305

140x15 (CL)
IAI 640301, 640311, 640320
IFI 229098, 229100, 229101, 249004
IPI 259304
IQI 227300, 227303, 227305

140x17 (CL)
IAI 640301, 640311, 640320
IFI 229098, 229100, 229101, 249004
IPI 259304
IQI 227300, 227303, 227305

140x00 (CL)
IAI 640301, 640311, 640320
IFI 229023, 229024, 229025, 229026, 229029, 229030, 249010, 249026
IPI 259304
IQI 227300, 227303, 227305
->140x12: 227305

040x07 (CL)
IAI 640301, 640311, 640320
IFI 249312, 259304
IQI 227300, 227303, 227305
IUI 249058, 249060, 269060
IVI 646071 + IXI 446071

140x07 (CL)
IAI 640301, 640311, 640320
IFI 249014, 249015, 249016
IPI 249312, 259304
IQI 227300, 227303, 227305
IUI 249058, 249060, 269060
IVI 646071 + IXI 446071

140x08 (CL)
IAI 640301, 640311, 640320
IFI 229023, 229024, 229025, 229026, 229029, 229030, 229112, 229113, 229121, 249026
IQI 247300
IUI 249058, 249060, 269060
IVI 646070 + IXI 446071

140x05 (CL)
IAI 640301, 640311, 640320
IFI 229098, 229100, 229101, 249004
IPI 259304
IQI 227300, 227303, 227305

140x081 (CL)
IAI 640301, 640311, 640320
IFI 249034, 249035
IQI 227300, 227303, 227305
IPI 249314, 259304
IUI 249058, 249060, 269060
IVI 646078

140x03 (CL)
IAI 640301, 640311, 640320
IFI 229017, 229114, 229115, 229120
IPI 249313, 259304
IQI 227300, 227303, 227305
IUI 249058, 249060, 269060
IVI 646072 + IXI 446071

140x09 (CL)
IAI 640301, 640311, 640320
IFI 229098, 229100, 229101, 249004
IPI 259304
IQI 227300, 227303, 227305

140x15 (CL)
IAI 640301, 640311, 640320
IFI 229098, 229100, 229101, 249004
IPI 259304
IQI 227300, 227303, 227305

140x17 (CL)
IAI 640301, 640311, 640320
IFI 229098, 229100, 229101, 249004
IPI 259304
IQI 227300, 227303, 227305

140x24 (CL)
IAI 650250, 650252, 655251
or IJI
IFI 259024, 259028
IJI 642261, 642262, 642263
IPI 249424 70

140x20 (SL)
IAI 640301, 640311, 640320
IFI 229023, 229024, 229025, 229026, 229027, 229028, 249026
IPI 249450 P 249320

140x26 (CL)
IAI 640301, 640311, 640320
IFI 229023, 229024, 229025, 229026, 229027, 229028, 249026
IPI 249450 79

140x28 (CL)
IAI 650250, 650252, 655251
or IJI
IFI 209192, 209193
IJI 642261, 642262, 642263
IPI 249428

140x30 (CL) ->140x77
IAI 640301, 640311, 640320
IFI 229114, 229115, 249031
IPI 249460

140x31 (CL)
IAI 640301, 640311, 640320
IFI 229114, 229115, 249013, 249031

140x20000098 (CL) ->140x76
IAI 640301, 640311, 640320
IFI 229023, 229024, 229025, 229026, 229027, 229028, 249026
IPI 249450 79

140x33 (CL)
IAI 640301, 640311, 640320
IFI 229125, 229126, 229129, 229131
IPI 249433

140x35 (CL)
IAI 640301, 640311, 640320
IFI 229125, 229126, 229129, 229131
Mullions/Transoms
ID 627107 - 140x4x ...

140x37 (CL)
IAI 640301, 640311, 640320
IFI 249037 70

140x45 (CL)
IAI 640301, 640311, 640320
IFI 647245 - ...
ID 677133 ID 647136, 677103 - 140x4x ...
ID 640046 - universal
IFI 249034, 249035
IPI 249343

140x41 (CL)
IAI 640301, 640311, 640320
IFI 647241 - ...
ID 647131, 649131, 647132 - 140x4x ...
ID 647101, 649101, 647102 - 140x4x ...
ID 620046 - universal
IFI 229098, 229100, 229101
IPI 249341

140x46 (CL)
IAI 640301, 640311, 640320
IFI 647246 - ...
ID 647105 - 140x4x ...
IFI 249019
IPI 249346

140x66 (CL)
CI 640066
IFI 229063
IPI 249366
IXI 447340, 449340

140x67 (SL)
CI 640067
IFI 259094
IPI 249366
IXI 447340, 449340

140x65 (CL)
CI 640065
IPI 249365
IXI 447340, 449340

140x76 (CL) ->140x20
110x97, 120x97
IAI 640301, 640311, 640320
CI 640082
IFI 229027, 229028

140x77 (CL) ->140x30
110x97, 120x97
IAI 640301, 640311, 640320
CI 640082
IFI 229114, 229115, 249031

140x44 (CL)
CI 640066
IFI 229063
IPI 249366
IXI 447340, 449340

140x47 (CL)
IAI 640301, 640311, 640320
IFI 647241 - ...
ID 647131, 649131, 647132 - 140x4x ...
ID 647101, 649101, 647102 - 140x4x ...
ID 620046 - universal
IFI 229098, 229100, 229101
IPI 249341

140x76 (CL) ->140x20
110x97, 120x97
IAI 640301, 640311, 640320
CI 640082
IFI 229027, 229028

140x77 (CL) ->140x30
110x97, 120x97
IAI 640301, 640311, 640320
CI 640082
IFI 229114, 229115, 249031

140x44 (CL)
CI 640066
IFI 229063
IPI 249366
IXI 447340, 449340

140x47 (CL)
IAI 640301, 640311, 640320
IFI 647241 - ...
ID 647131, 649131, 647132 - 140x4x ...
ID 647101, 649101, 647102 - 140x4x ...
ID 620046 - universal
IFI 229098, 229100, 229101
IPI 249341

140x08 (RL)
IAI 640301, 640311, 640320
IFI 229023, 229024, 229025, 229026, 229029, 229030, 229112, 229113, 229121, 249026
IQI 247300
IUI 249058, 249060, 269060
IVI 646070 + IXI 446071

140x47 (RL)
IAI 640301, 640311, 640320
IFI 647241 - ...
ID 647131, 649131, 647132 - 140x4x ...
ID 647101, 649101, 647102 - 140x4x ...
ID 620046 - universal
IFI 229098, 229100, 229101

140x22 (RL) ->140x82
IAI 640301, 640311, 640320
IFI 229023, 229024, 229025, 229026, 249026

140x82 (RL) ->140x22
110x97, 120x97
IAI 640301, 640311, 640320
CI 640082
IFI 229027, 229028

140x34 (RL) ->140x84
IAI 640301, 640311, 640320
IFI 249007, 249009

140x84 (RL) ->140x34
110x97, 120x97
IAI 640301, 640311, 640320
CI 640082
IFI 249009

140x38 (RL)
IAI 640301, 640311, 640320
IFI 229135, 229137

120x97 (RL)
CI 620097

110x97 (RL)

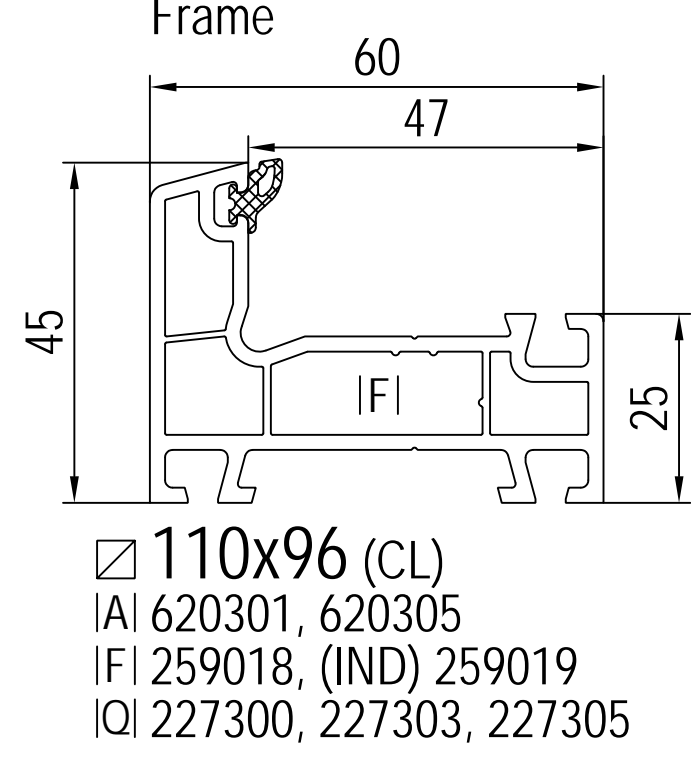
Bonding of pane Option
 not laminated
 laminated

IAI Spacer
 CI End caps
 ID Connector
 ID Connector without sticks
 IF Reinforcements
 IJ Bonding of pane
 IPI aluskin Aluminium shells
 IQI Aluminium step protection
 IUI Aluminium threshold
 IVI Connection for threshold
 WI Mullion coupler
 IXI Gaskets

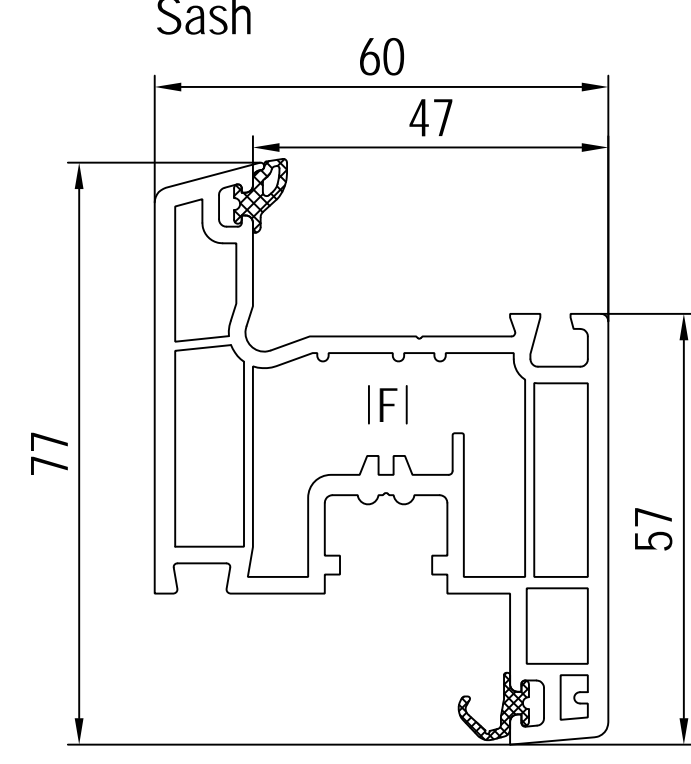
-> for
 (CL) Classic-line
 (RL) Round-line
 (SL) Soft-line
 (MB) Monobloc

70
162
162
2
3-6
CL
RL
SL

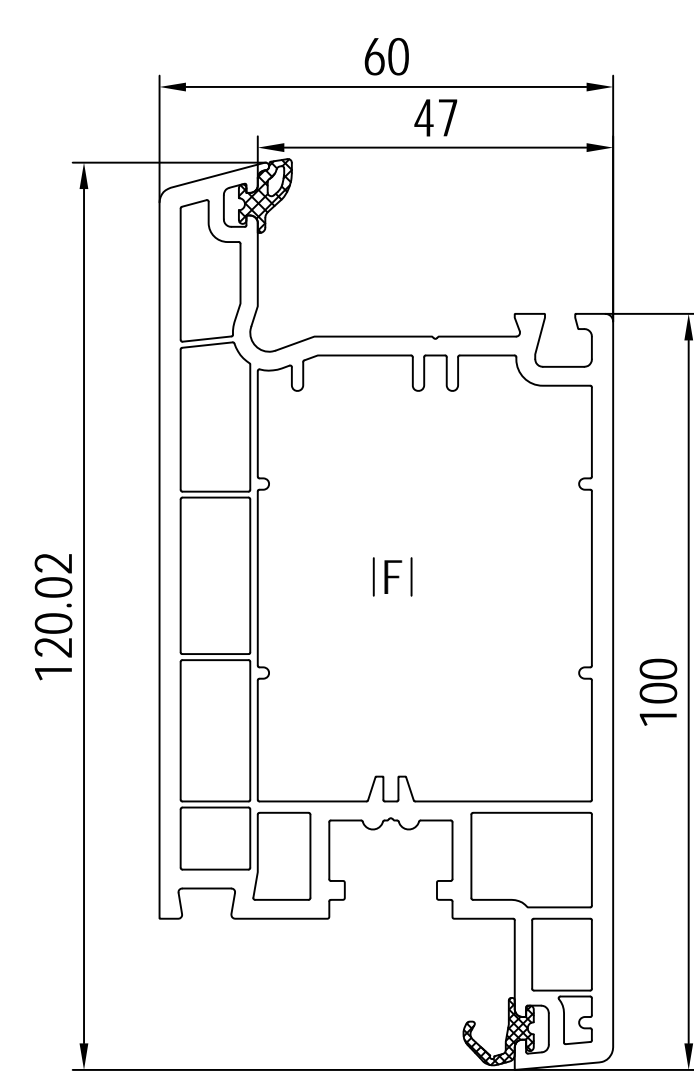
Main Profiles



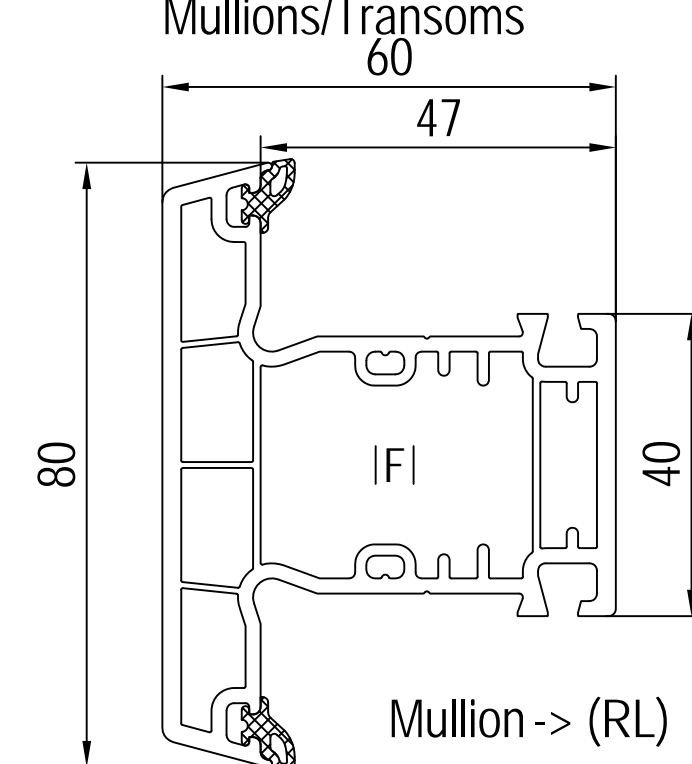
■ 110x96 (CL)
IAI 620301, 620305
IFI 259018, (IND) 259019
IQI 227300, 227303, 227305



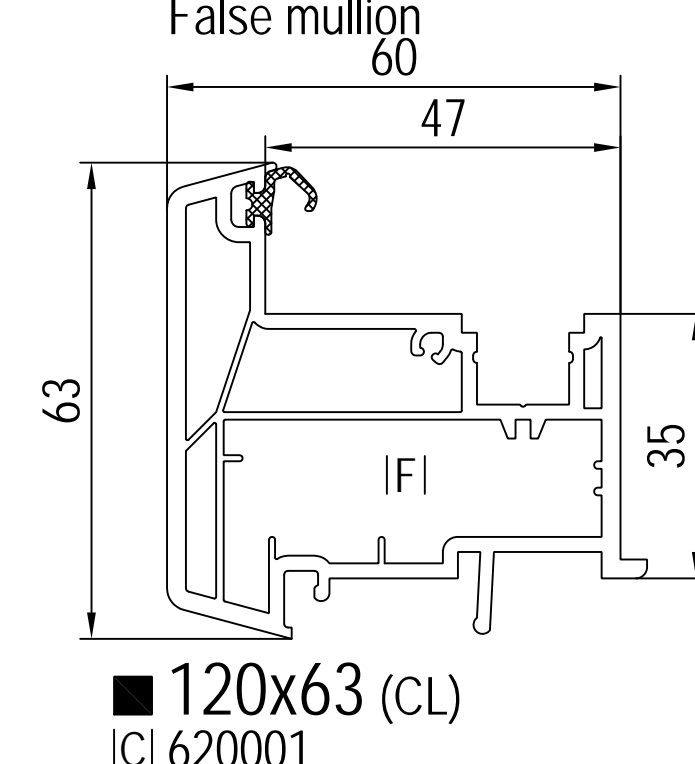
■ 120x22 (CL)
IAI 620301, 620305
IFI 229023, 229024, 229025,
229026, 229027, 229028,
249026



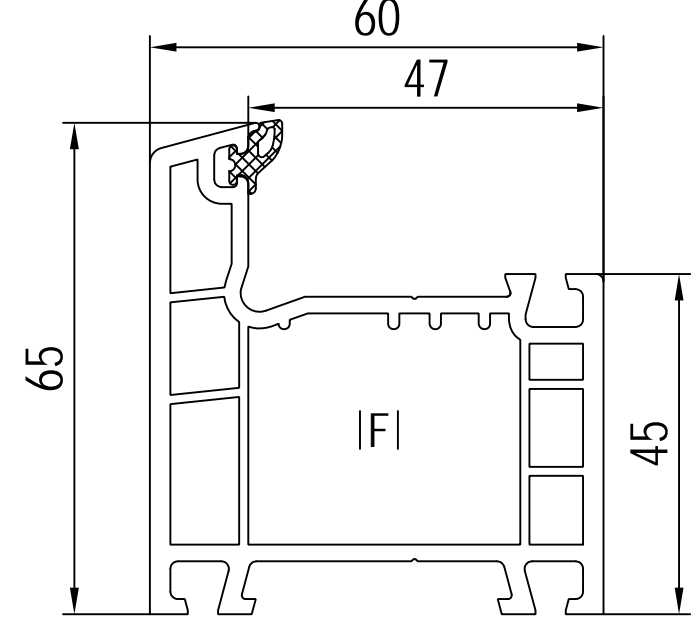
■ 120x33 (CL)
IAI 620301, 620305
IFI 229125, 229126, 229129,
229131



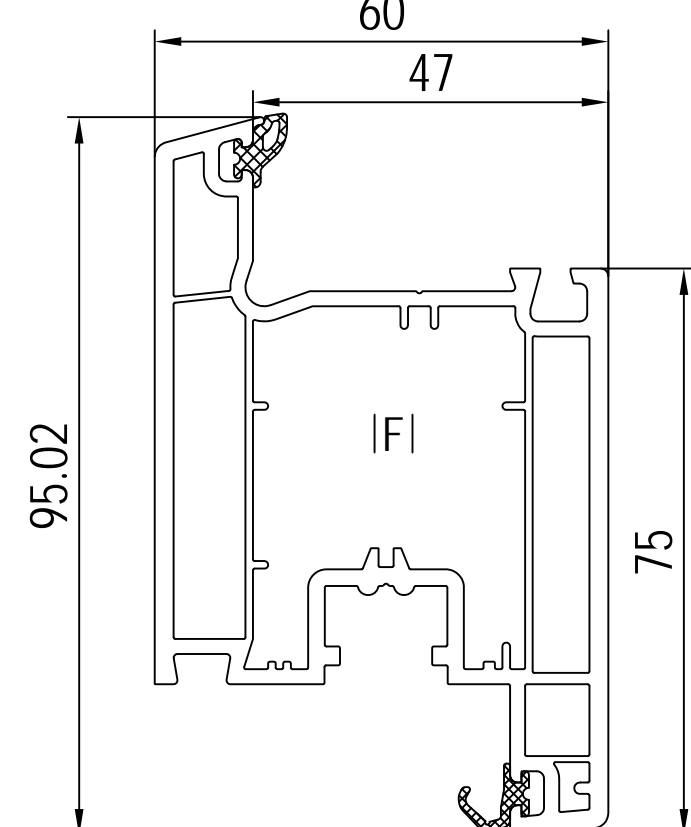
■ 120x41 (CL)
IAI 620301, 620305
IDI 629111, 627101, 627102
-120xxx ...
IDI 629141, 627131, 627132,
620116 -120xxx ...
IDI 620046 - universal
IFI 229098, 229100, 229101
IUI 229060, 249058, 249060,
269060
MI 626072



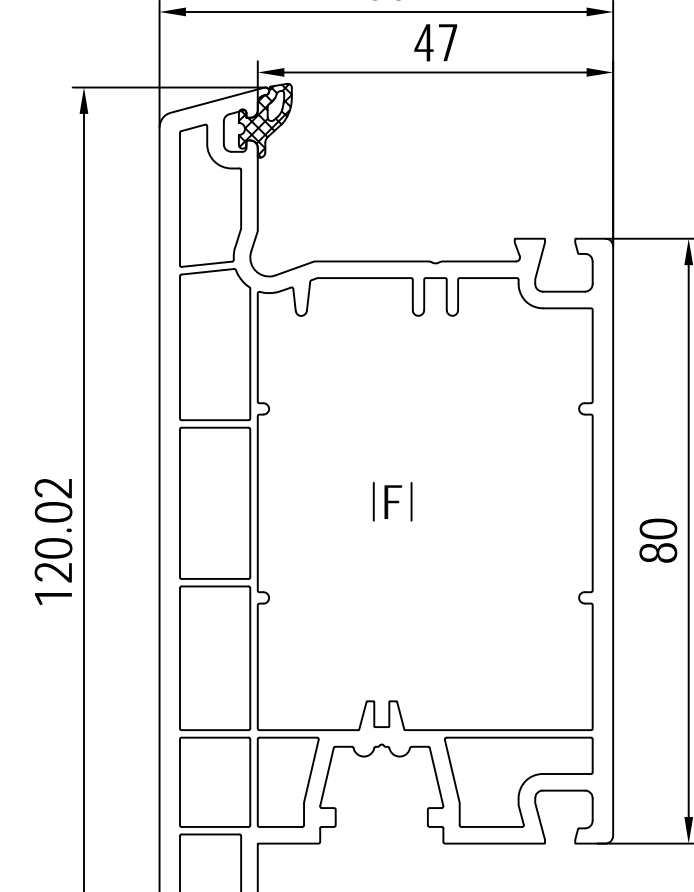
■ 120x63 (CL)
ICI 620001
IFI 229063



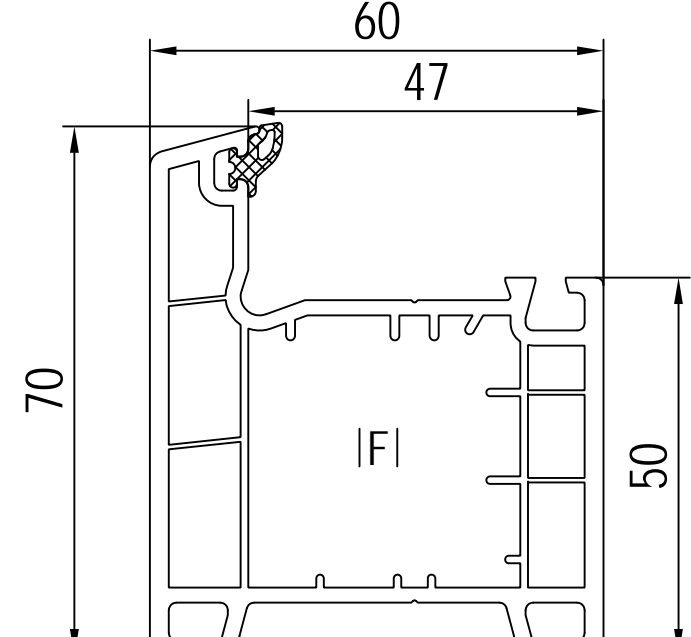
■ 120x05 (CL)
IAI 620301, 620305
IFI 229023, 229024, 229025,
229026, 229029, 229030,
249026
IQI 227300, 227303, 227305



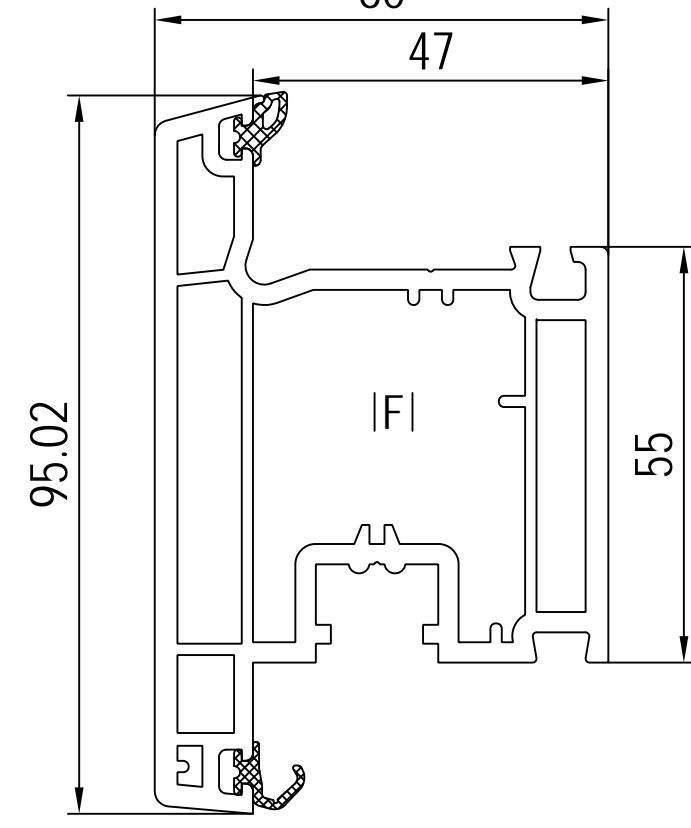
■ 120x30 (CL)
IAI 620301, 620305
IFI 229005



■ 120x35 (CL)
IAI 620301, 620305
IFI 229125, 229126, 229129,
229131
Mullions/Transoms
IDI 627107 -120xxx ...

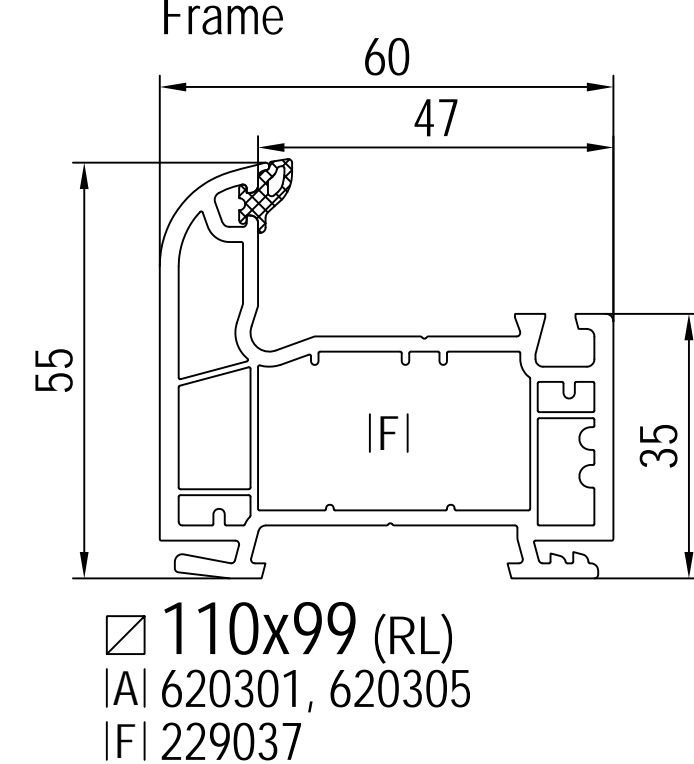


■ 120x07 (CL)
IAI 620301, 620305
IFI 229001, 229112, 229113,
229121
IQI 227300, 227303, 227305
IUI 229060, 249058, 249060,
269060
IVI 626070

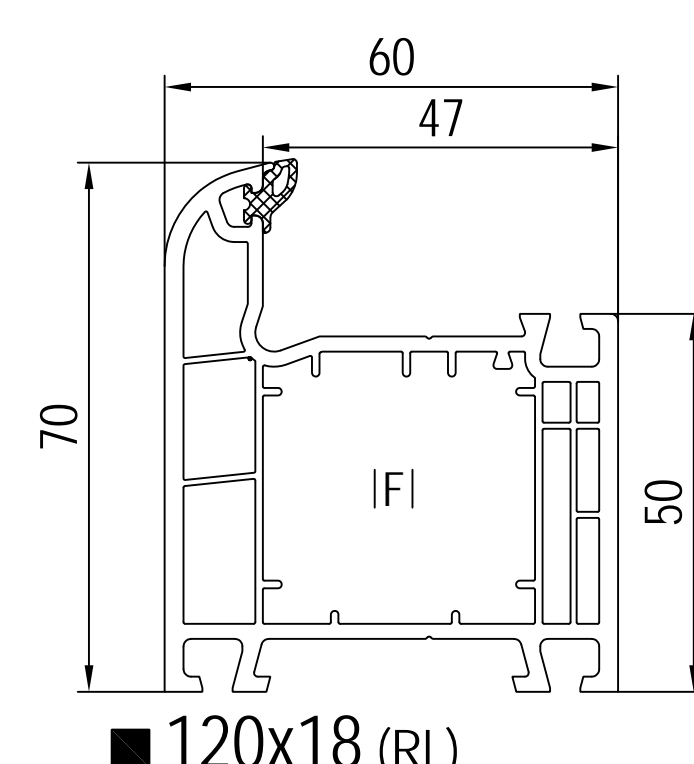


■ 120x31 (CL)
IAI 620301, 620305
IFI 229005

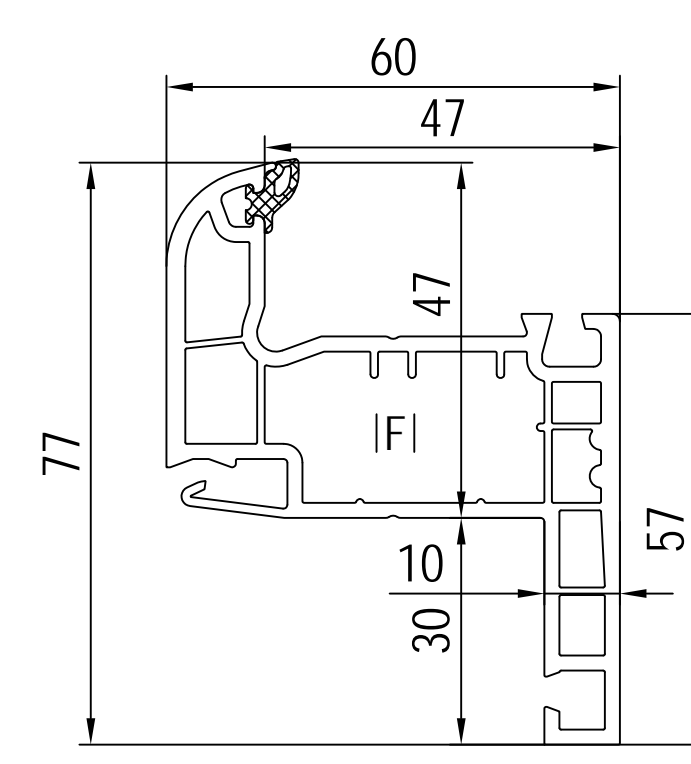
Round-line (RL)



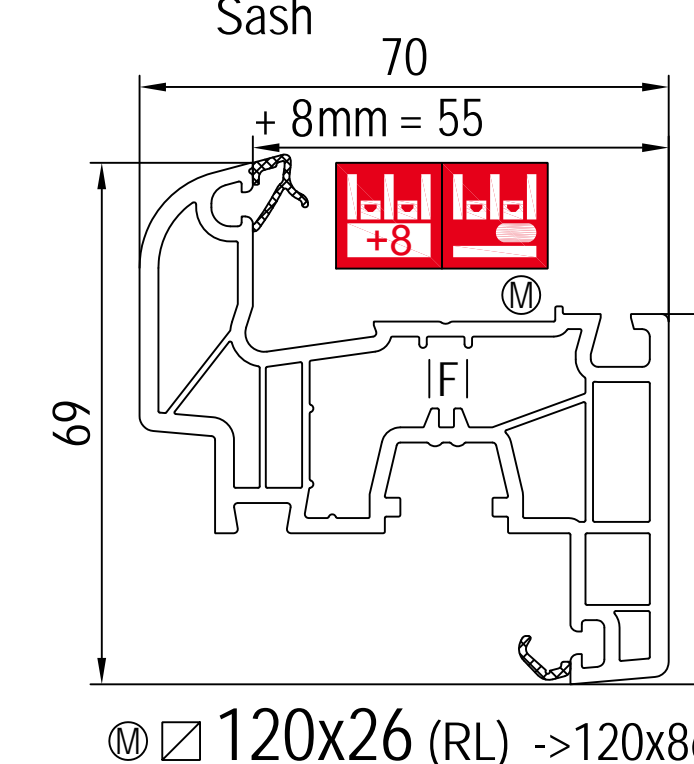
■ 110x99 (RL)
IAI 620301, 620305
IFI 229037
IQI 247300



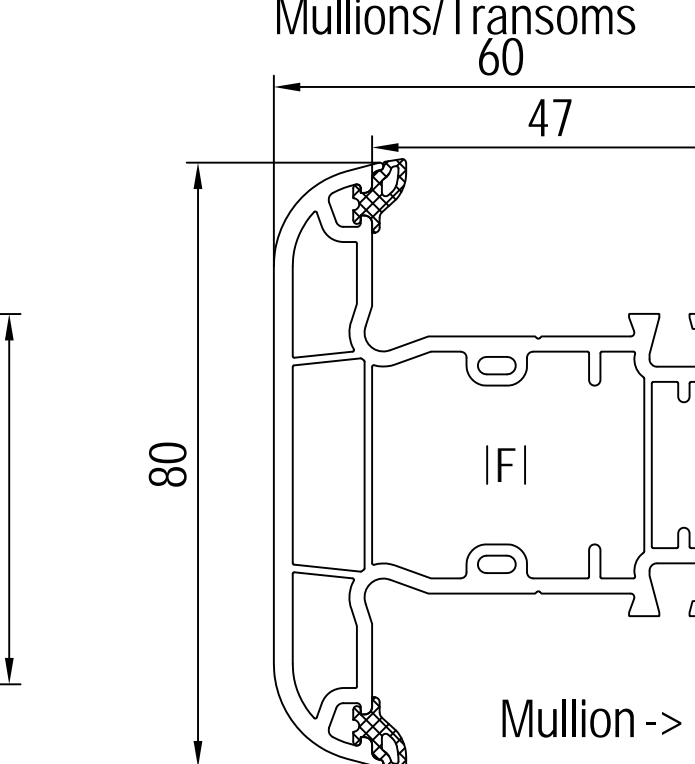
■ 120x18 (RL)
IAI 620301, 620305
IFI 229001, 229023, 229025,
229112, 229113, 229121
IQI 247300



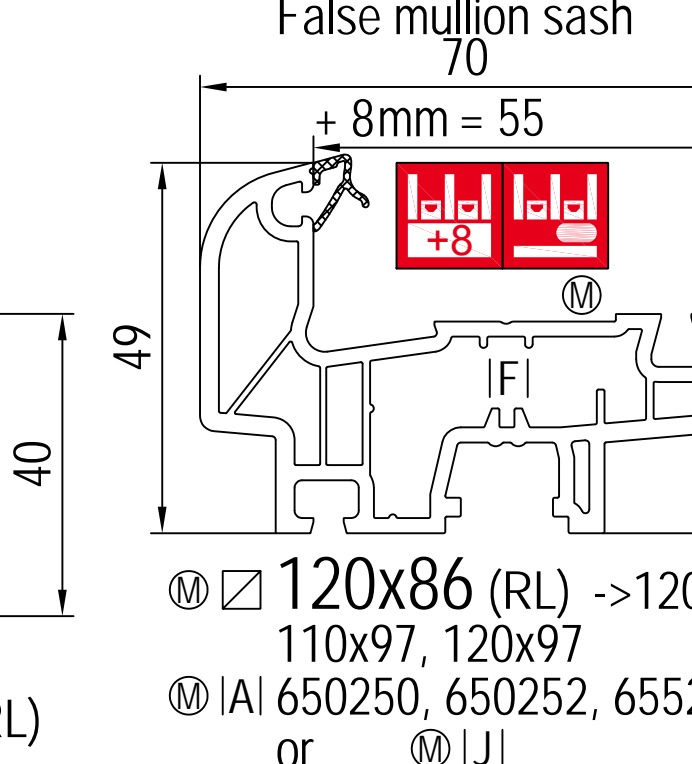
■ 120x52 (RL)
IAI 620301, 620305
IFI 239030
IQI 247300



■ 120x26 (RL) ->120x86
IAI 650250, 650252, 655251
or IJI
ICI 229055
IJI 642261, 642262, 642263



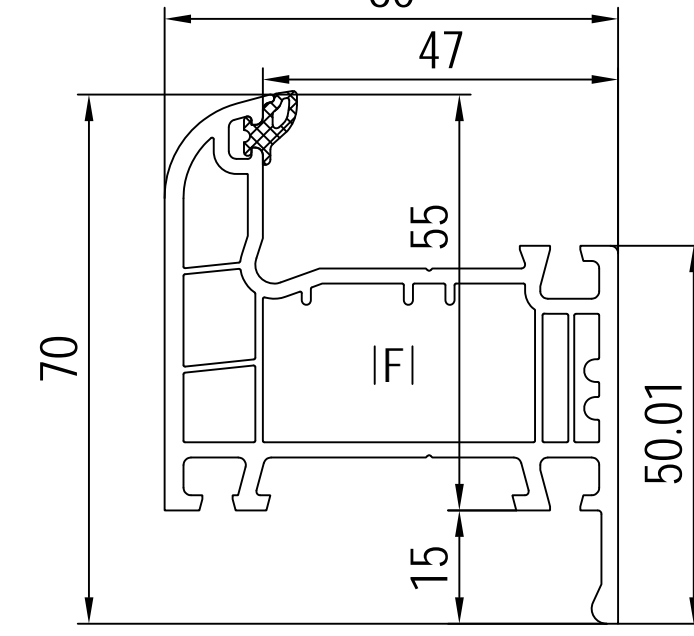
■ 120x45 (RL)
IAI 620301, 620305
IDI 629111, 627101, 627102
-120xxx ...
IDI 629141, 627131, 627132,
620116 -120xxx ...
IDI 620046 - universal
IFI 229098, 229100, 229101
IUI 229060, 249058, 249060,
269060
MI 626072



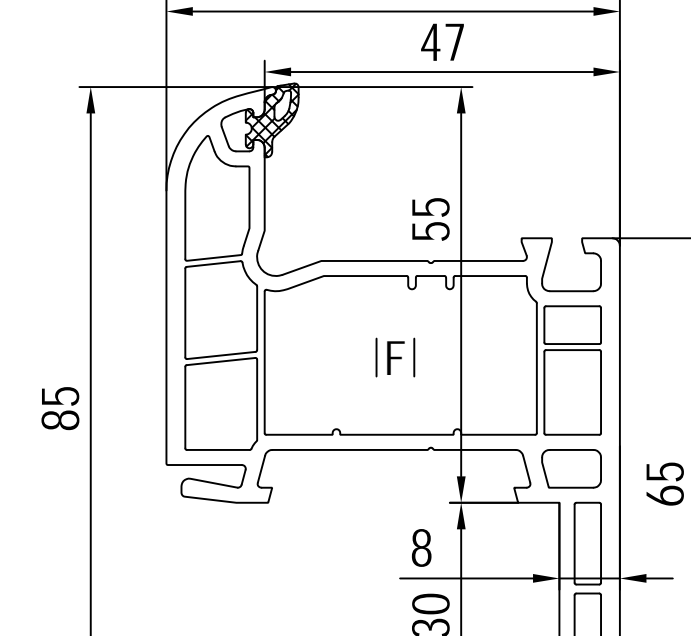
■ 120x86 (RL) ->120x26
110x97, 120x97
IAI 650250, 650252, 655251
or IJI
ICI 620029
IFI 229055
IJI 642261, 642262, 642263



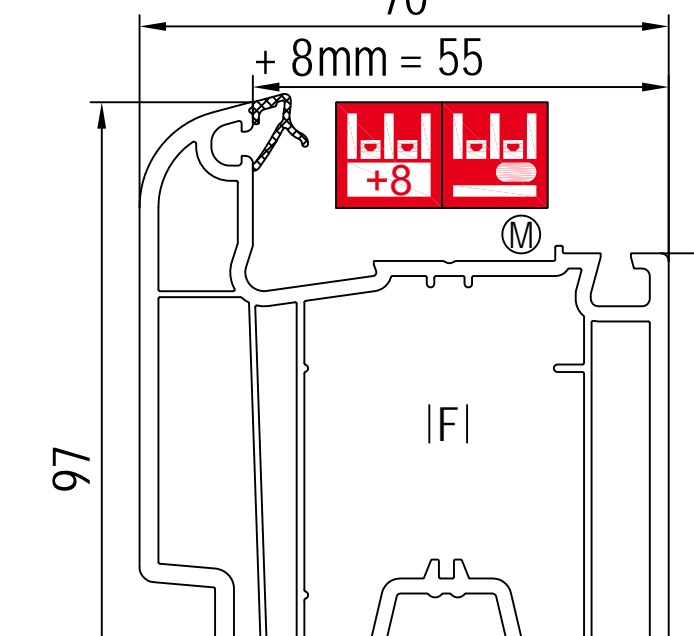
■ 120x57 (RL)(MB)
IAI 620301, 620305
IFI 229037
IQI 247300



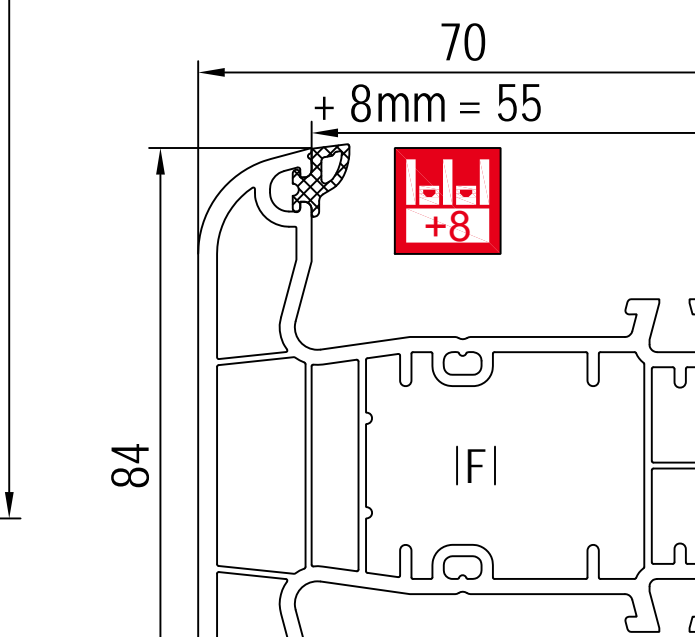
■ 120x59 (RL)
IAI 620301, 620305
IFI 229037
IQI 247300



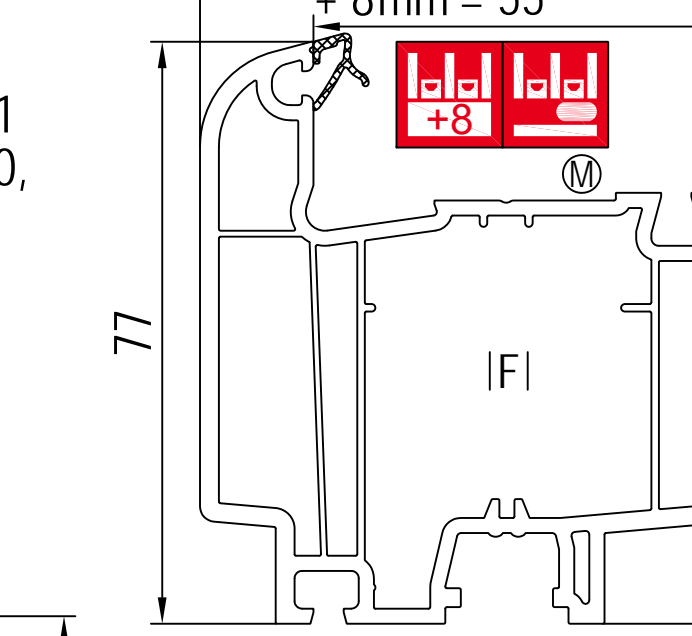
■ 120x32 (RL) ->120x82
IAI 650250, 650252, 655251
or IJI
IFI 229056, 229057
IJI 642261, 642262, 642263



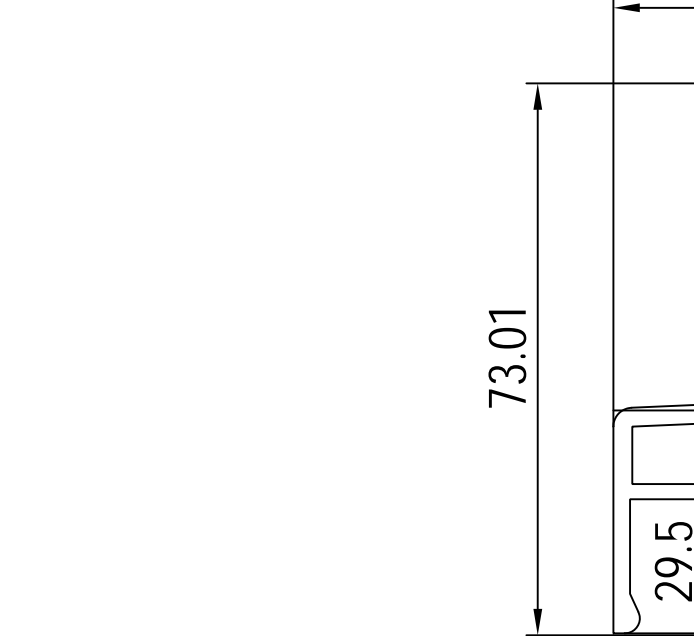
■ 140x47 (RL)
IAI 640301, 640311, 640320
IJI 647241 - ...
IDI 620046 - universal
IFI 229098, 229100, 229101



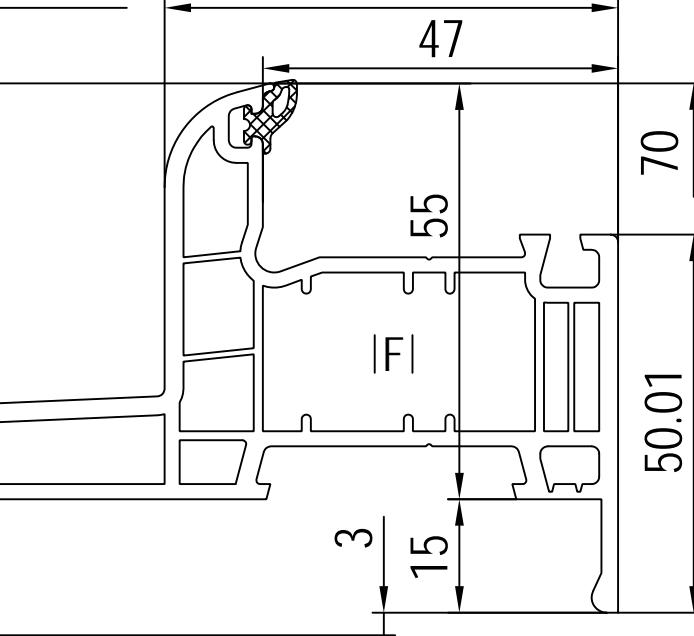
■ 120x82 (RL) ->120x32
110x97, 120x97
IAI 650250, 650252, 655251
or IJI
ICI 620029
IFI 229056, 229058
IJI 642261, 642262, 642263



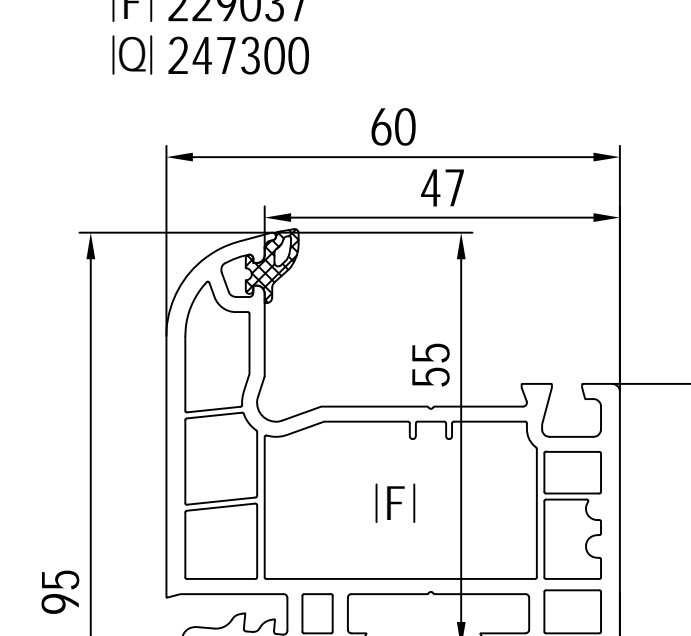
■ 120x97 (RL)
ICI 620097



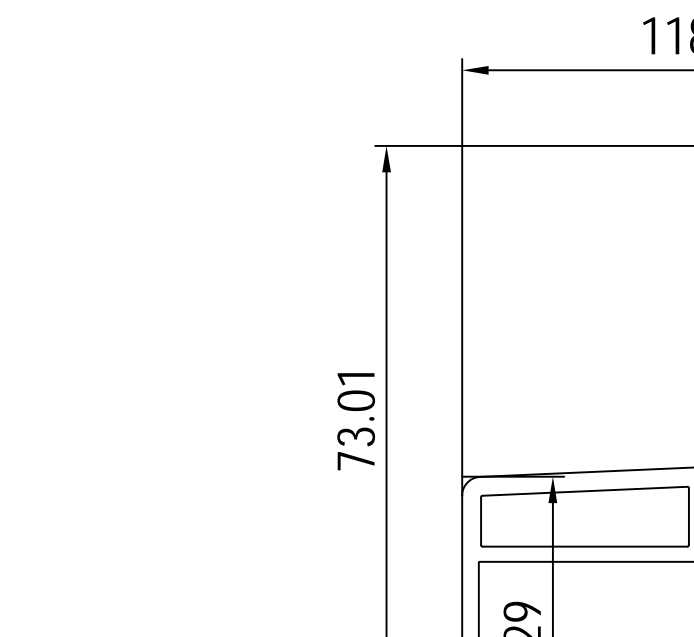
■ 110x06 (RL)(MB)
IAI 620301, 620305
ICI 620414, 620415
IFI 229110, 229111
IQI 247300



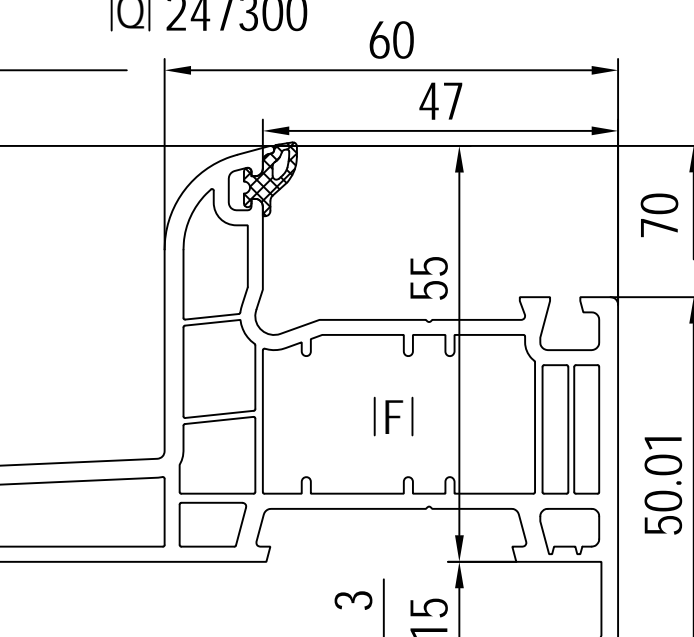
■ 120x91 (RL)
IAI 620301, 620305
IFI 229034, 229037
IQI 247300



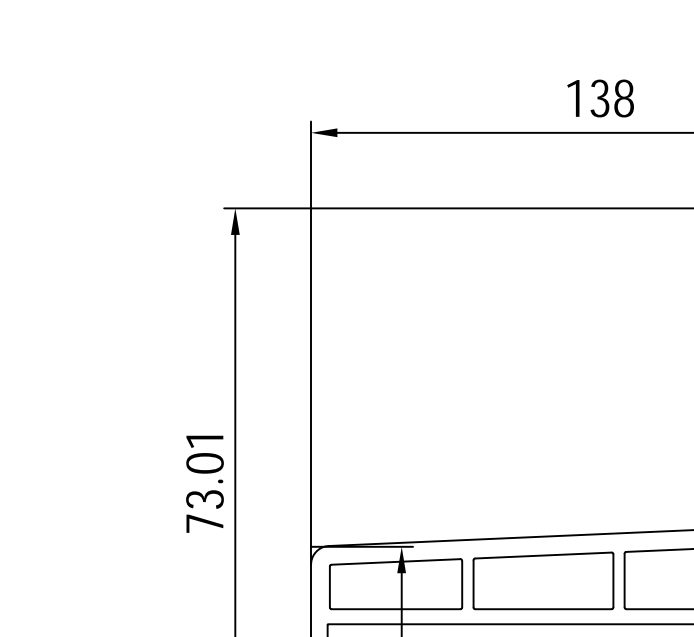
■ 120x39 (RL)
IAI 620301, 620305
IFI 229037
IQI 247300



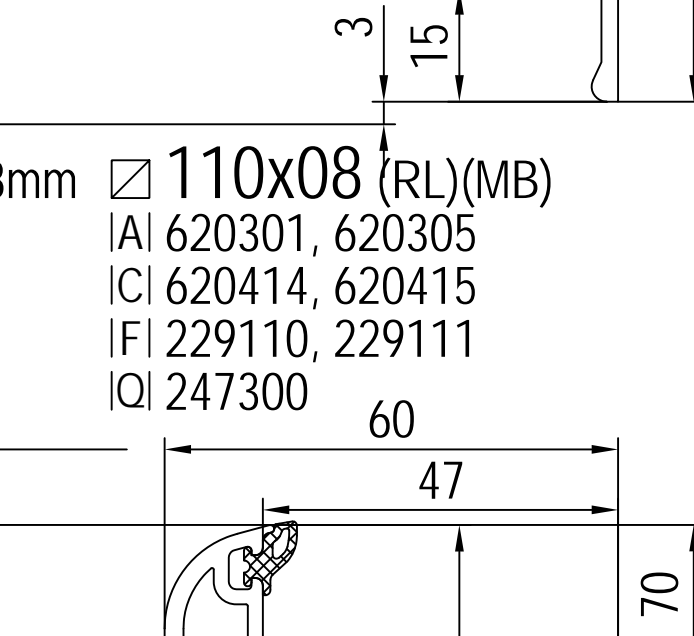
■ 110x08 (RL)(MB)
IAI 620301, 620305
ICI 620414, 620415
IFI 229110, 229111
IQI 247300



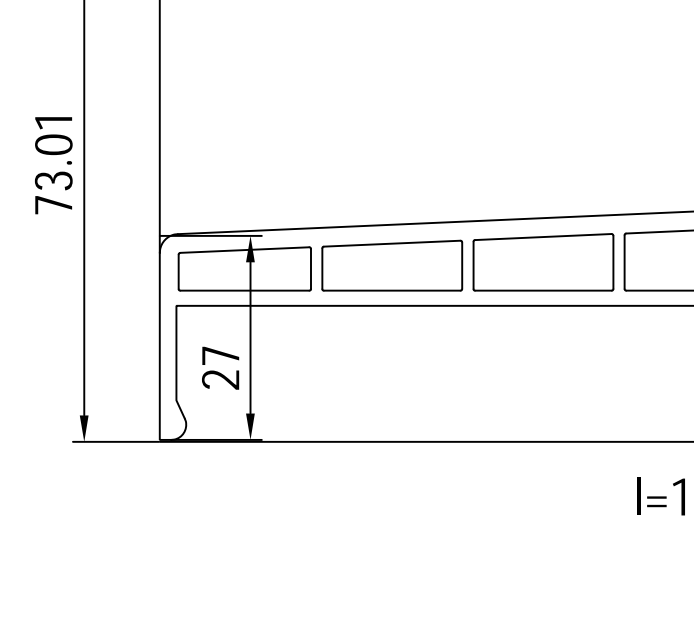
■ 110x09 (RL)(MB)
IAI 620301, 620305
ICI 620414, 620415
IFI 229110, 229111
IQI 247300



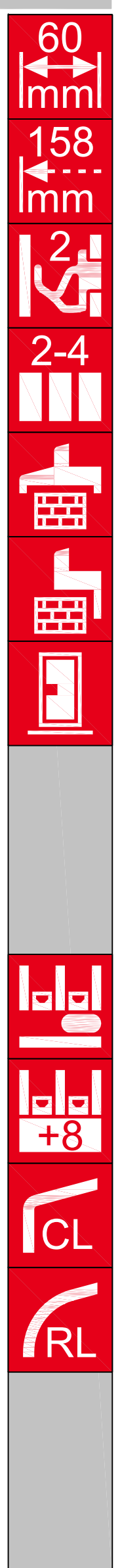
■ 110x08 (RL)(MB)
IAI 620301, 620305
ICI 620414, 620415
IFI 229110, 229111
IQI 247300



■ 110x09 (RL)(MB)
IAI 620301, 620305
ICI 620414, 620415
IFI 229110, 229111
IQI 247300



■ 110x09 (RL)(MB)
IAI 620301, 620305
ICI 620414, 620415
IFI 229110, 229111
IQI 247300



- in preparation (new or modified)
- Ⓢ Bonding of pane Option
- not laminated
- laminated
- | Spacer
- | End caps
- | Connector
- | Connector without sticks
- | Reinforcements
- | Bonding of pane
- | Aluminium step protection
- | Aluminium threshold
- | Connection for threshold

Main Profiles

Frame 70

Sash 70
+ 12mm = 67

Mullion 70

False mullion 70

150x10 (CL)
IFI 229045
IPI 259404
IXI 427334, 429334

150x11 (CL)
IFI 229037
IPI 259404
IXI 427334, 429334

150x1000011 (CL)
IFI 229037
IPI 259404
IXI 427334, 429334

150x43 (CL)
IDI 657130, 657134 -050x0x
IFI 259080
IPI 259467
IXI 694132

150x44 (CL)
IDI 657130, 657134 -050x0x
IFI 259043, 259044
IPI 259443
IXI 659033 bl

150x65 (CL)
ICI 650267
IFI 259067
IPI 259467
IXI 427334, 429334

150x67 (CL)
ICI 650267
IFI 259067
IPI 259467
IXI 427334, 429334

050x03 (CL)
IPI 259403, 259404
IU 249058, 249060, 269060
IV 646072 + IXI 446071
IXI 427334, 429334
IZI 650290

050x04 (CL)
IHI 685058
IPI 259404
IU 249058, 249060, 269060
IV 656078
IXI 427334, 429334
IZI 650290 IXI 650292

IDEAL 5000®

150x10 (CL)
IFI 229045
IPI 259404
IXI 427334, 429334

150x11 (CL)
IFI 229037
IPI 259404
IXI 427334, 429334

150x1000011 (CL)
IFI 229037
IPI 259404
IXI 427334, 429334

Accessories

CI End caps

650267 (CL) -> 150x67
650264 (CL) + 650265 (CL) -> 150x65
ICI 650265

DI Connector P-Plastic
DI Connector without sticks

DI 657130 -> 150x44
DI 657030 -> 150x44
IOI 650950 -> 150x44
-150x0x ... -> 150x44
IXI 650032, 659032, 650033, 659033

DI 657134 -> 150x44
IOI 650950 -> 150x44
-150x0x ... -> 150x44
IXI 650032, 659032, 650033, 659033

DI 640046 P -45x20x1000mm
-> 140x45, 150x44, 170x41, 170x44, 180x44
-universal

FI Reinforcements (...) = Ix

(2.5)229037 s=1.5 -> 150x11, 150x110000011
(1.1)229045 s=1.5 -> 150x10
(5.1)229102 s=1.5 -> 150x44
(7.3)229103 s=2.5 -> 150x44
(0.4)229107 s=2.0 -> 150x65
(5.0)259067 s=2.0 -> 150x67
(1.8)259080 s=2.0 -> 150x80

GI Nipple screw / Clip

659923 -> aluminium
-> ITI 259082

654930 -> aluminium
-> IPI ...

... 209391, 249312, 249313, 249314, 259304, 259311, 259403, 259404, ✓✓ 279402, 289304, 289313, 289314

IHI Installation / mounting anchor + see plan: Additional Profiles Structural profiles

685058 gn -> 050x04, 080x04, 180x04

ITI Lifter + Transport protection

620440 -> Sash
640441 -> Frame
640015 -> Frame
640012 -> Frame

IJI Bonding of pane

640033 red 3 **640113 red 13** **640012 wh 12** **640015 wh 12**
640034 ye 4 **640013 red 13** **640019 ye 14**
640035 gn 5

652080 bl **652081 bl** **652082 bl** **652083 bl**

OI Mounting accessories

650950
-> DI 657130, 657134
-> DI 657030

IPI aluskin Aluminium shells

259403 (CL) 2 -> 050x03 (CL)
IGI 654930
IXI 459952

259467 (CL) -> 150x67 (CL)
IXI 459952

259404 (CL) 2 -> 050x03 (CL), 050x04 (CL), 150x10 (CL), 150x11 (CL), 150x110000011 (CL)
IGI 654930
IXI 459952

259465 (CL) -> 150x65 (CL)
IXI 459952

259443 (CL) -> 150x44 (CL)
IXI 459952

ITI Aluminium weather bar

259082 (CL) -> General
-> ITI 259081
IGI 659923

259081 (CL) -> 150x80 (CL)
ITI 259082
IXI 459953

249060 gr 20/70mm

249058 gr 20/120mm

227301 IXI 420340, 429340

227302 IXI 420340, 429340

227306 IXI 420340, 429340

IWI Connection for threshold

646072 gr Set -> 140x03, 050x03, 150x03
IXI 446071 ✓

656078 gr Set -> 050x04 ✓

646075 gr Set -> 140x45, 150x44 ✓

M Mullion coupler

646075 gr Set -> 140x45, 150x44 ✓

IXI Gaskets

459952 bl -> IPI aluskin Standard

429334 bl **427334 pw**

650033 wh -> 150x44, ✓
659033 bl -> 150x44, ✓
IDI 657130, ✓
IDI 657030, ✓
IDI 687102

449340 bl **447340 pw**

446091 gr -> Frame
476091 gr -> Mullion

446092 gr -> Sash
476092 gr -> False mullion

429340 bl **420340 pw** -> IUI 227301, ✓
-> IUI 227302, ✓
227306 ✓

446071 gr Set (+r) -> IVI 646022, 646070, 646071, 646072 ✓

IZI Special accessories

650290 -14x34x1000 mm -> 050x03, 050x04

650292 -43x20x1000 mm -> 050x04

694132 NiRo -> 150x38

IXI Bonding of pane

⊗ Bonding of pane
⊗ not laminated
■ laminated

-> for

(CL) Classic-line

(CH) Switzerland

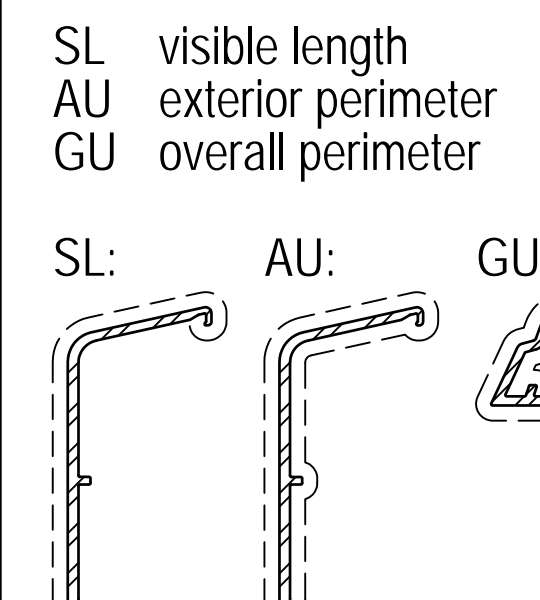
ye yellow
gn green
gr grey
oc ochre
red red
bl black
pw papyrus-white
wh white

1) or

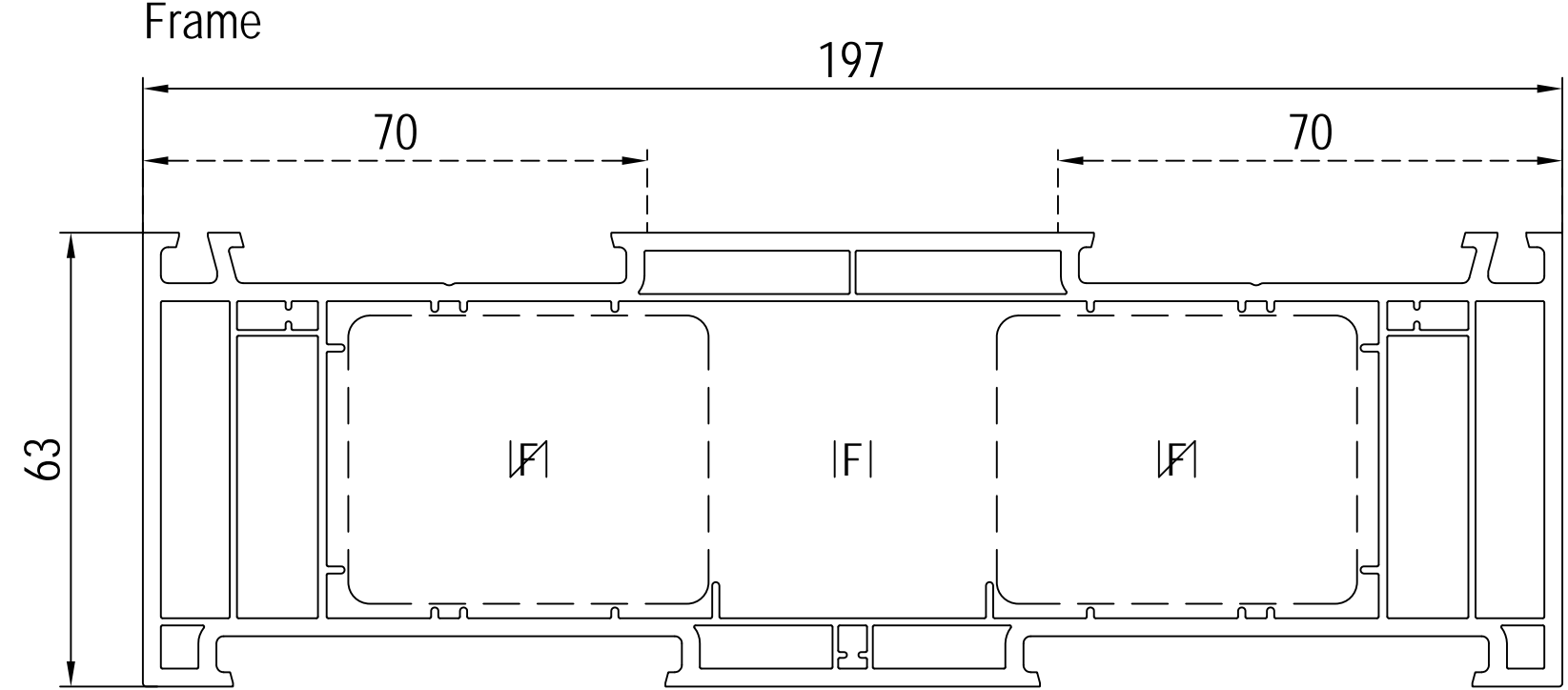
2) or

SL visible length
AU exterior perimeter
GU overall perimeter

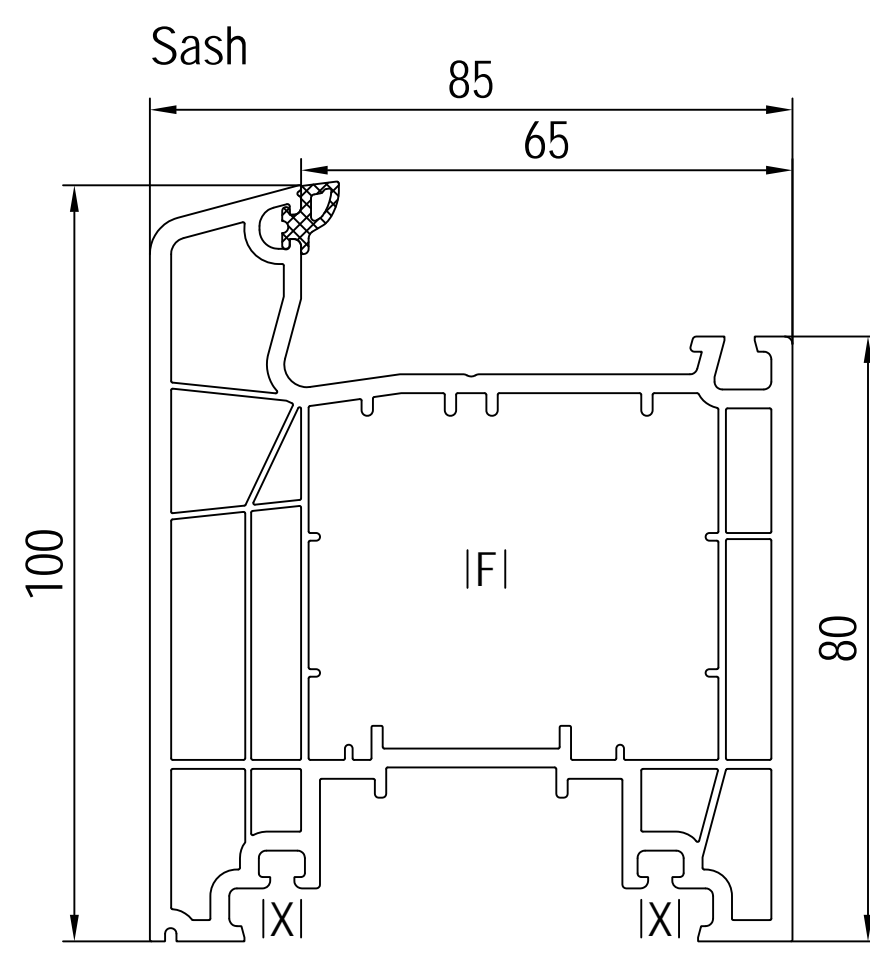
SL: AU: GU:



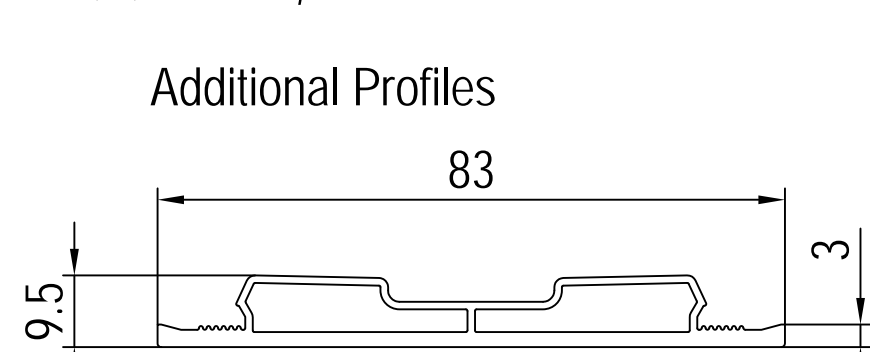
Main Profiles



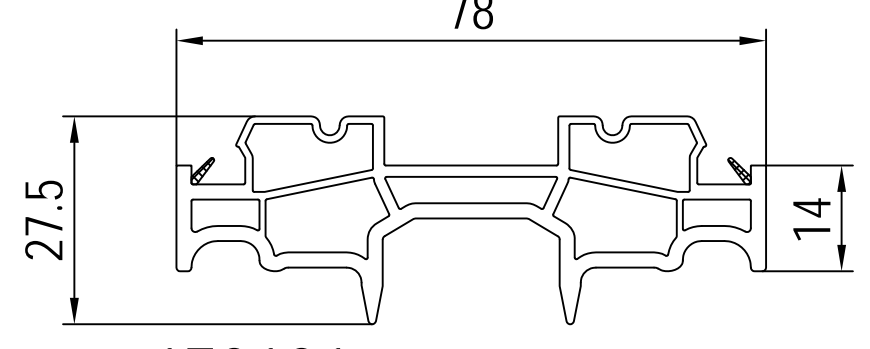
■ 170080 IFI 249228 = "premium" "standard" IFI 279108 IFI 229125, 229126 = "basic" IPI 279380, 279383, 279384 IZI 670380, 679320



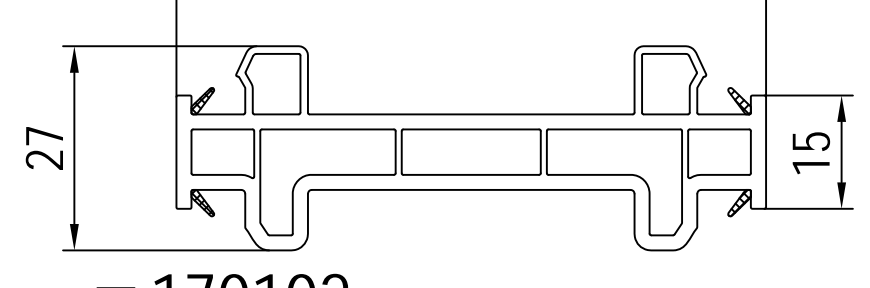
■ 170x81 (CL) IA 670301 IFI 229125, 229126, 279036, 279082, 279083, 279084 IFI 229114 + 670290, 229115 + 670290, 279036 = "premium" IPI 279381, 279382, 279386 IXI 479181 IZI 679303, 679341



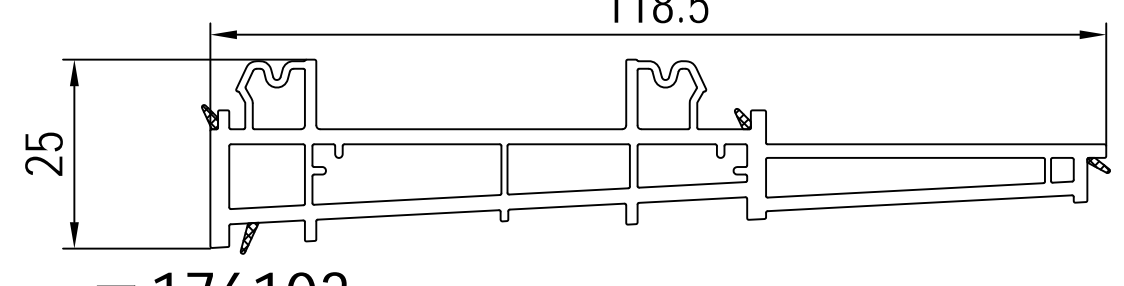
■ 170105 -> 170080, 170x81 IXI 479330 IZI 679330



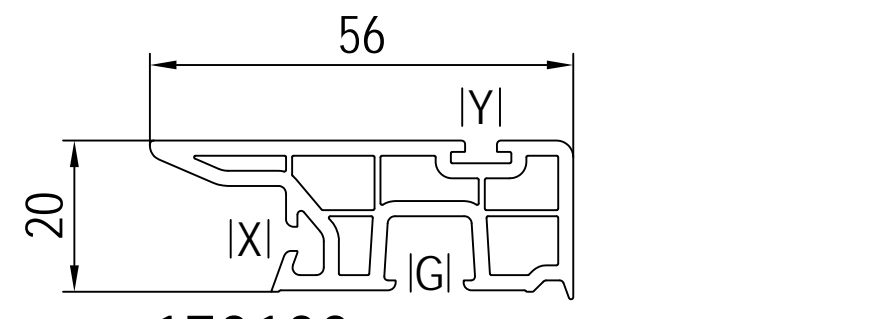
■ 170101 -> 170080, 170x81 IXI 679305, 679340



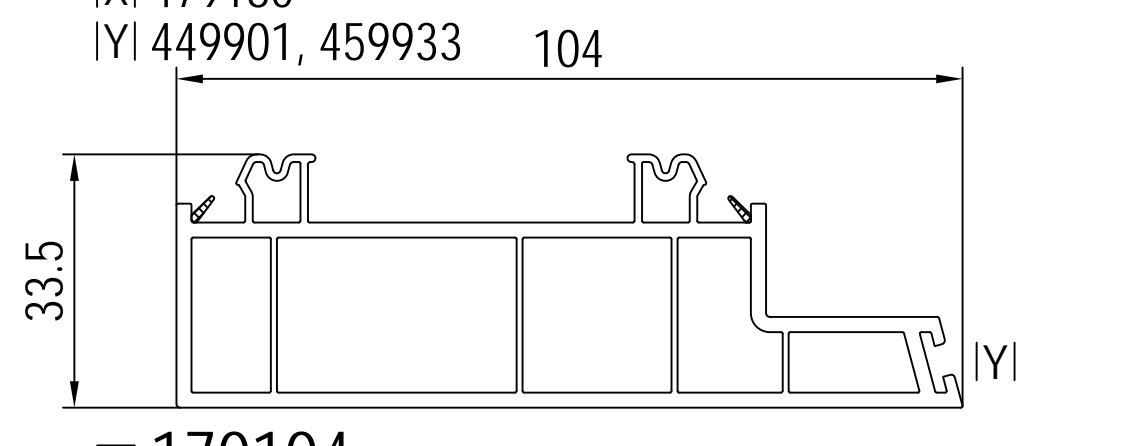
■ 170102 -> 170x81 IZI 679302



■ 176103 gr -> 170x81 IXI 679300 IZI 679302, 679303

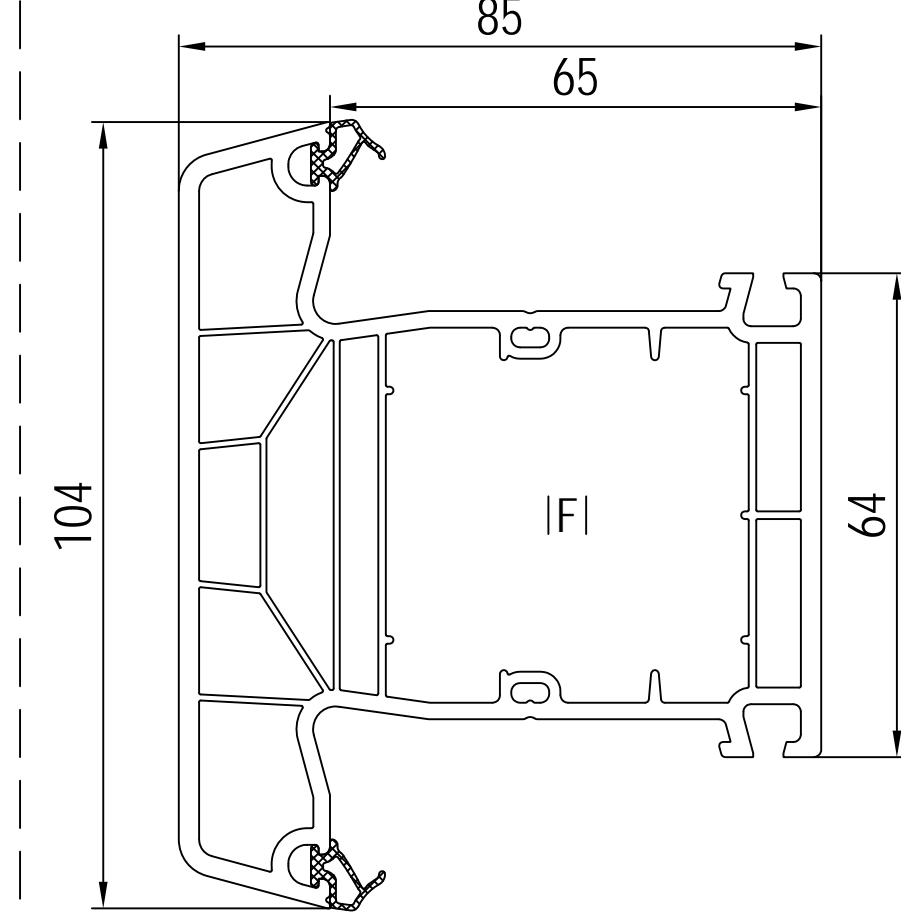


■ 170100 -> 170x81 IGI 652923 IOI 670901 IXI 479180 IYI 449901, 459933

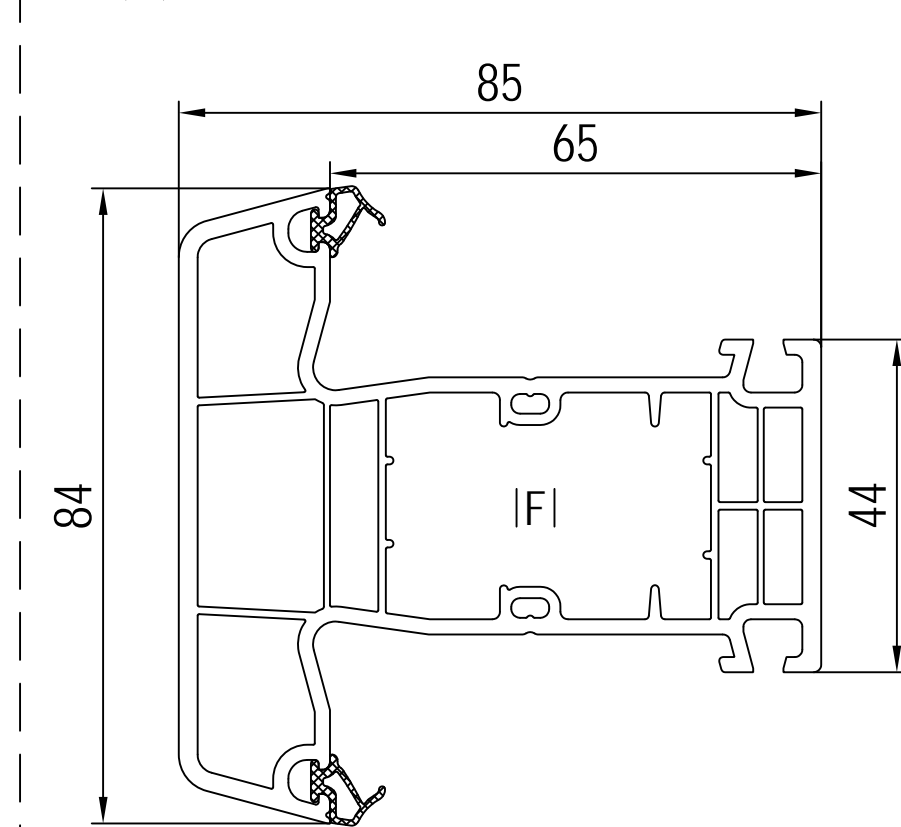


■ 170104 -> 170080 IYI 449901, 459933 IZI 679304

Transoms



■ 170x44 (CL) IA 670301 IFI 229125, 229126, 279036, 279082, 279083, 279084 IFI 229114 + 670290, 229115 + 670290, 279036 = "premium" IPI 279381, 279382, 279386 IXI 479181 IZI 679303, 679341

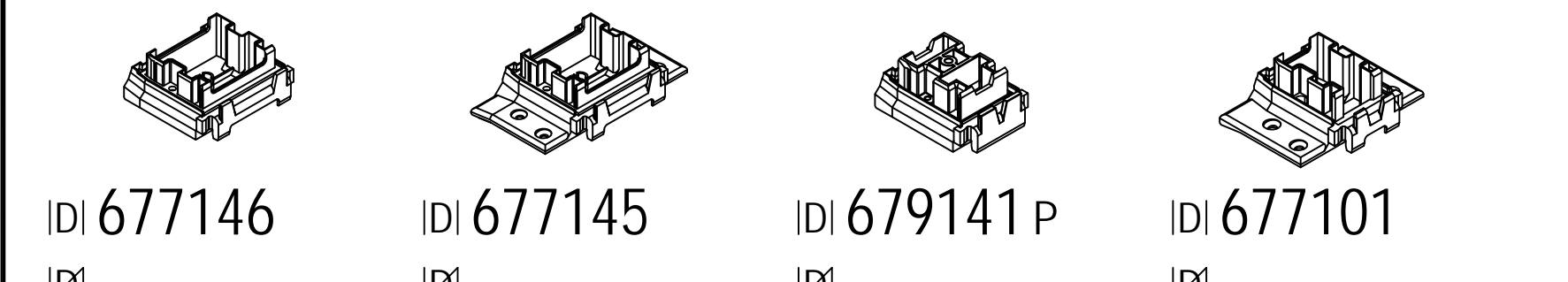


■ 170x41 (CL) IA 670301 DI 677101, 679141 -170x4x... DI 620046, 640046 -universal IFI 259043, 259044 IPI 289341

Accessories

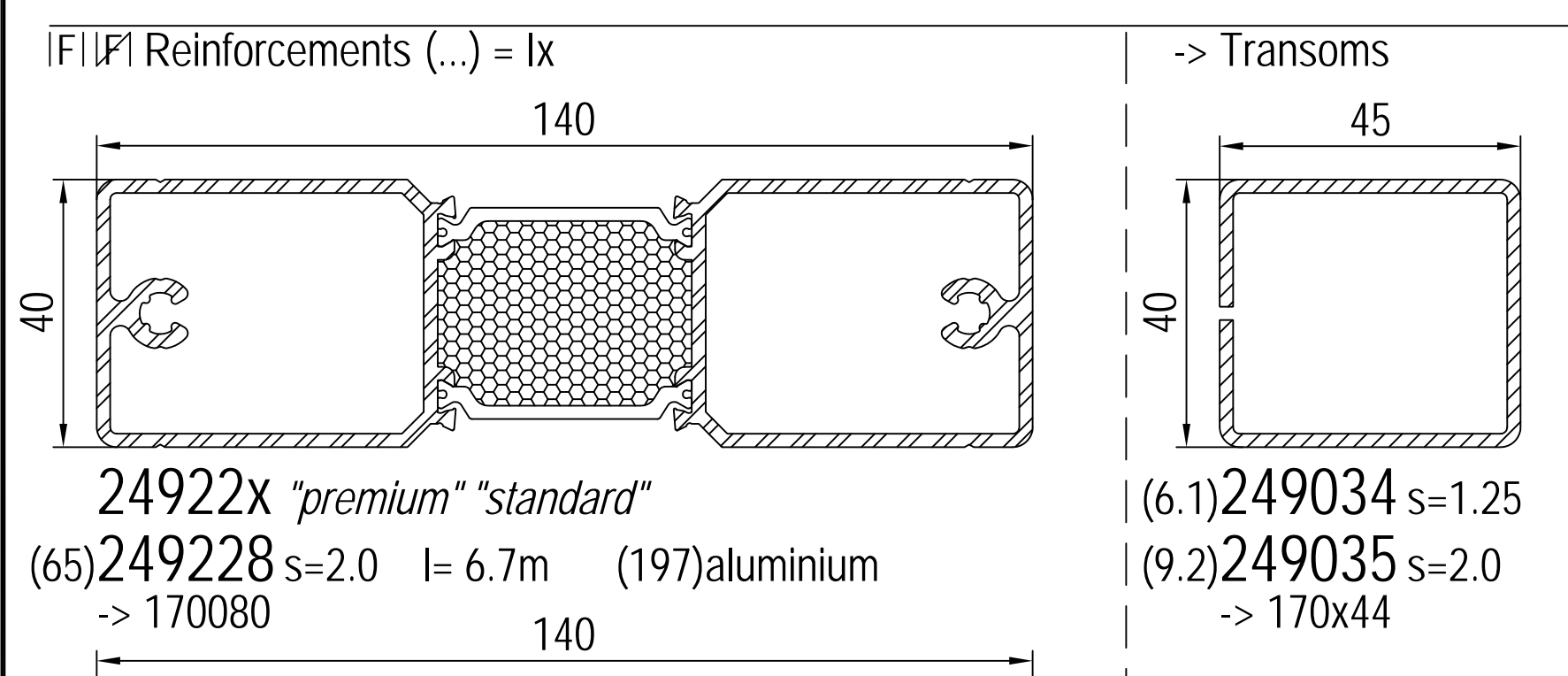
IAI Spacer 670301 -> 170x41, 170x44, 170x81

IOI Connector DI Connector without sticks P-Plastic -> Transoms

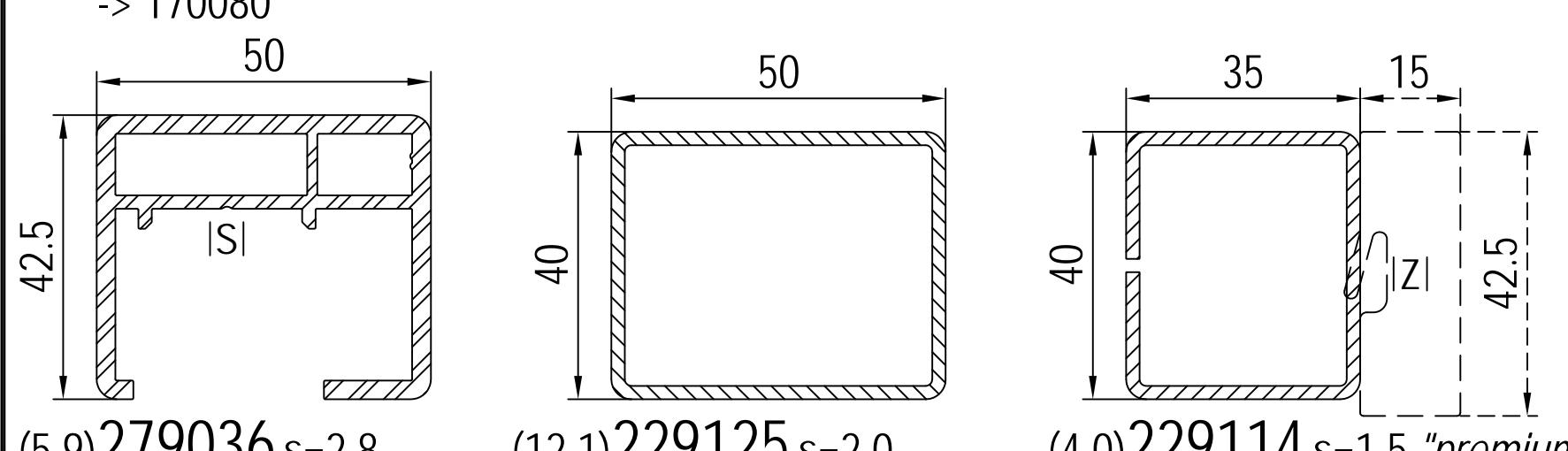


DI 640046 P -45x20x1000mm -> 170x41, 170x44 -universal DI 620046 P -35x20x1000mm -> 170x41 -universal

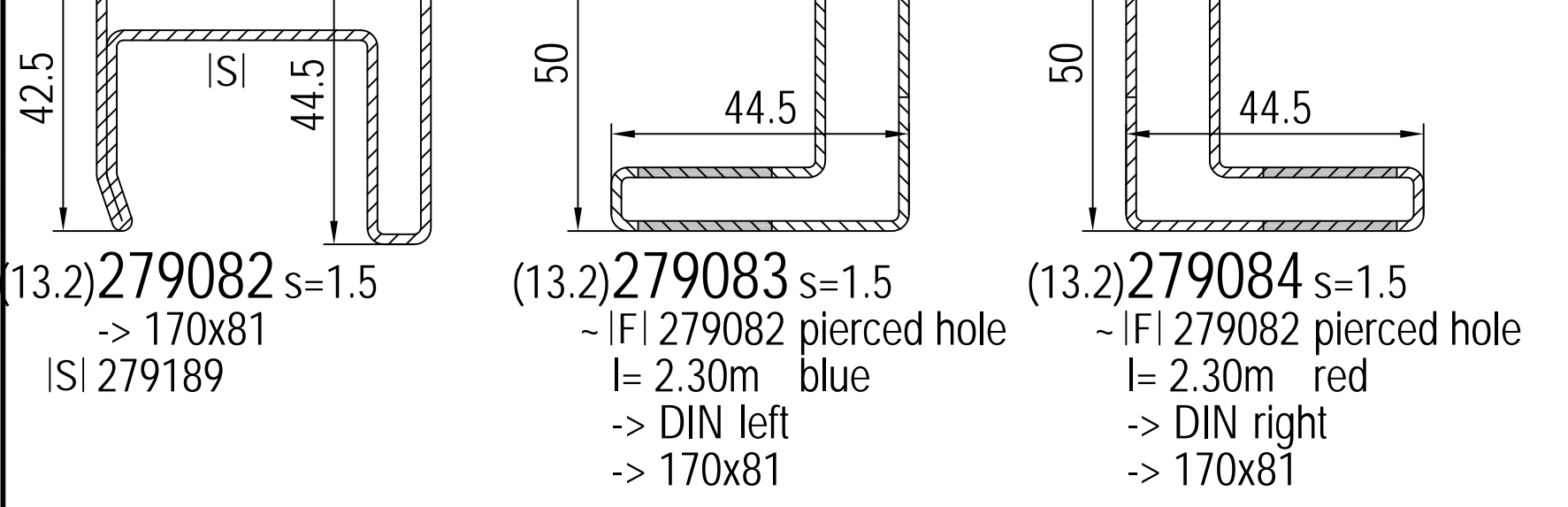
IFI IPI Reinforcements (...) = IXI -> Transoms



24922x "premium" "standard" (65)249228 s=2.0 l=6.7m (197)aluminium (6.1)249034 s=1.25 (9.2)249035 s=2.0 -> 170x44 (3.9)259043 s=1.5 (5.6)259044 s=2.5 -> 170x41

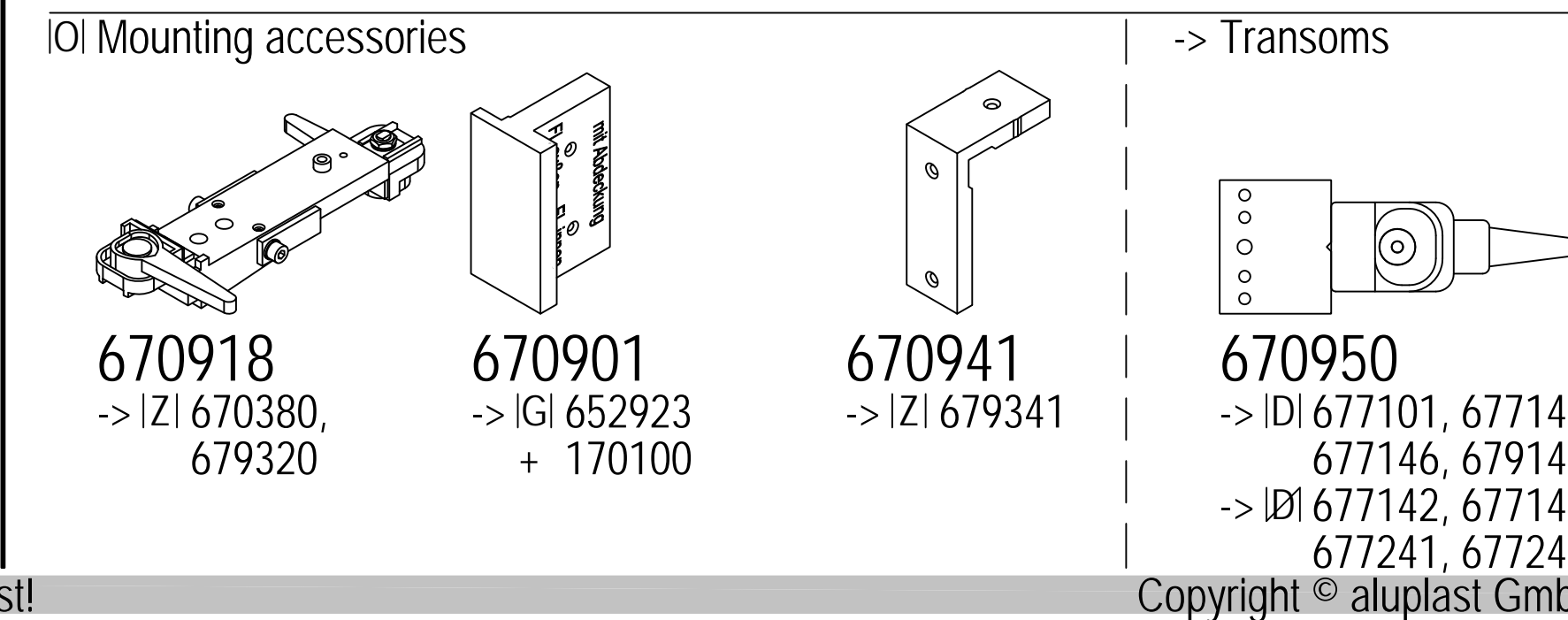


(69)279108 s=2.0 l=6.7m (206)aluminium (5.9)279036 s=2.8 (17.8)aluminium -> 170x81 ISI 279189 (12.1)229125 s=2.0 (16.8)229126 s=3.0 -> 170080, 170x81 (4.0)229114 s=1.5 "premium" (5.0)229115 s=2.0 -> 170x81 + IZI 670290

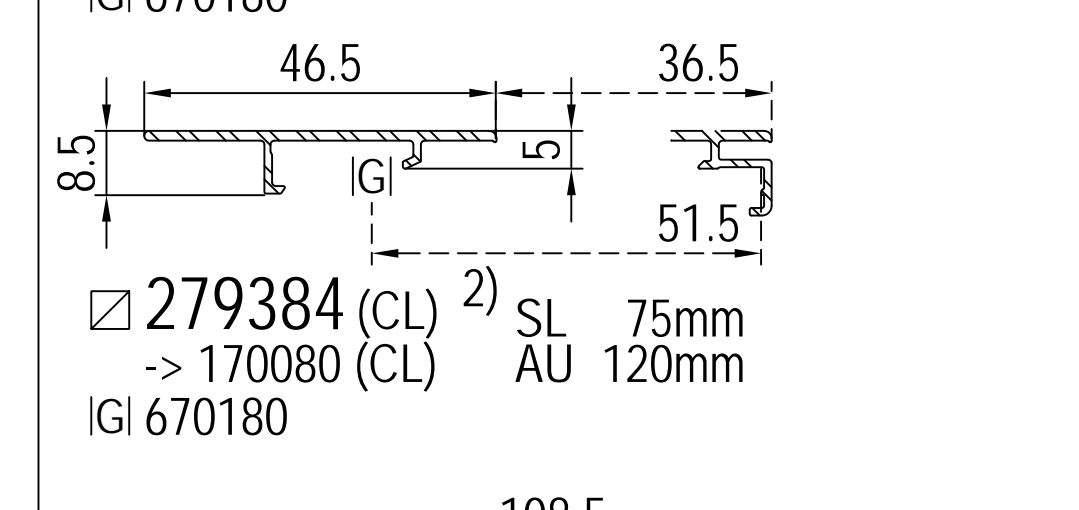


(13.2)279082 s=1.5 -> 170x81 ISI 279189 (13.2)279083 s=1.5 -IFI 279082 pierced hole l=2.30m blue -> DIN left -> 170x81 (13.2)279084 s=1.5 -IFI 279082 pierced hole l=2.30m red -> DIN right -> 170x81

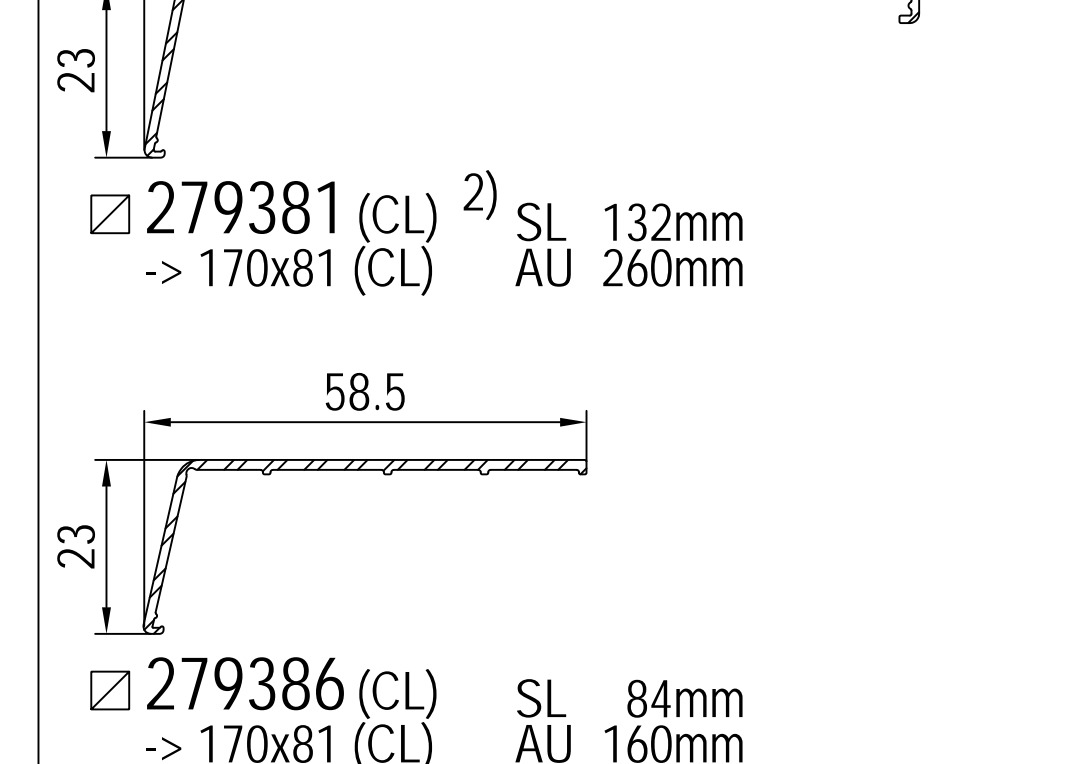
IHI Installation / mounting anchor see plan: Additional Profiles Structural profiles



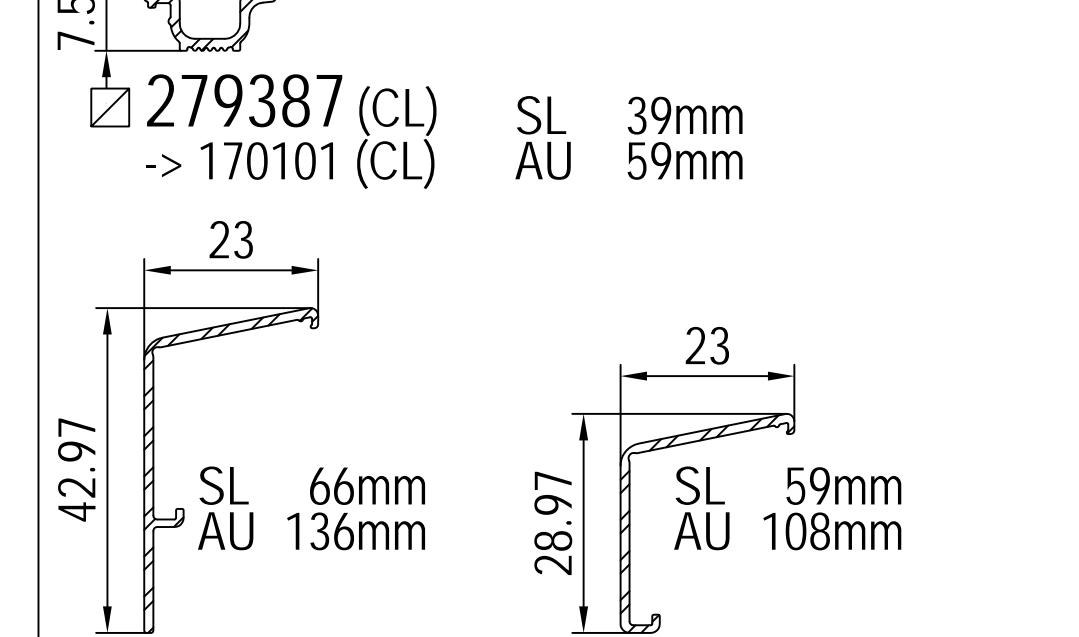
IPI aluskin Aluminium shells 279380 (CL) 2 SL 111mm -> 170080 (CL) AU 237mm IGI 670180 279384 (CL) 2 SL 75mm -> 170080 (CL) AU 120mm IGI 670180



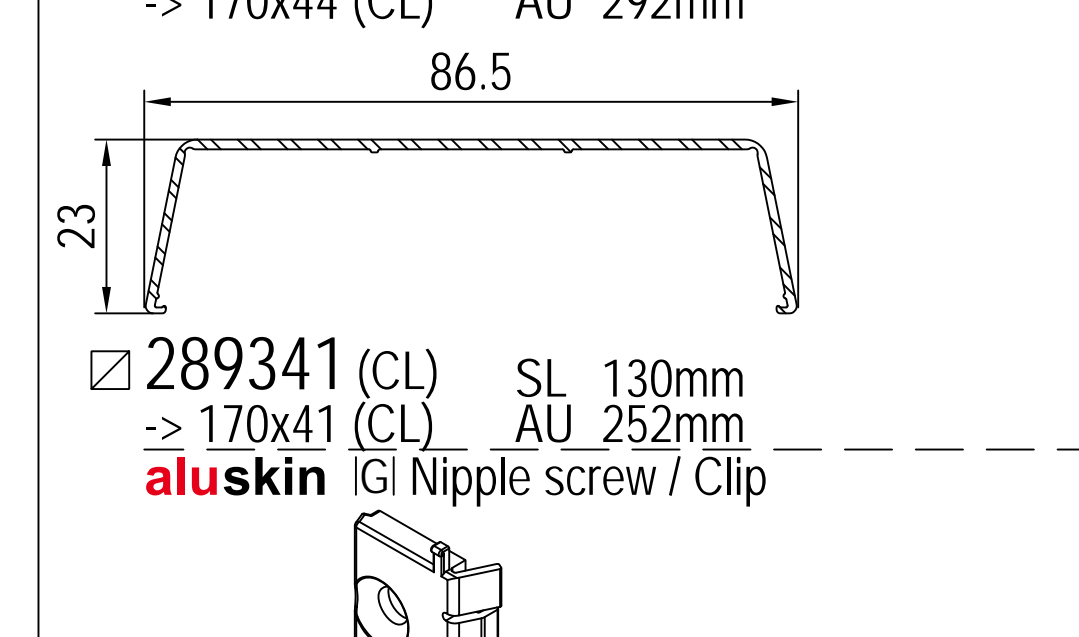
279383 (CL) 2 SL 212mm -> 170080 (CL) AU 516mm IYI 459933 279386 (CL) SL 84mm AU 160mm -> 170x81 (CL)



279381 (CL) 2 SL 132mm -> 170x81 (CL) AU 260mm 279382 (CL) SL 125mm AU 284mm -> 170x81 (CL) IUI 27712x, 27716x, 27722x, 27911x

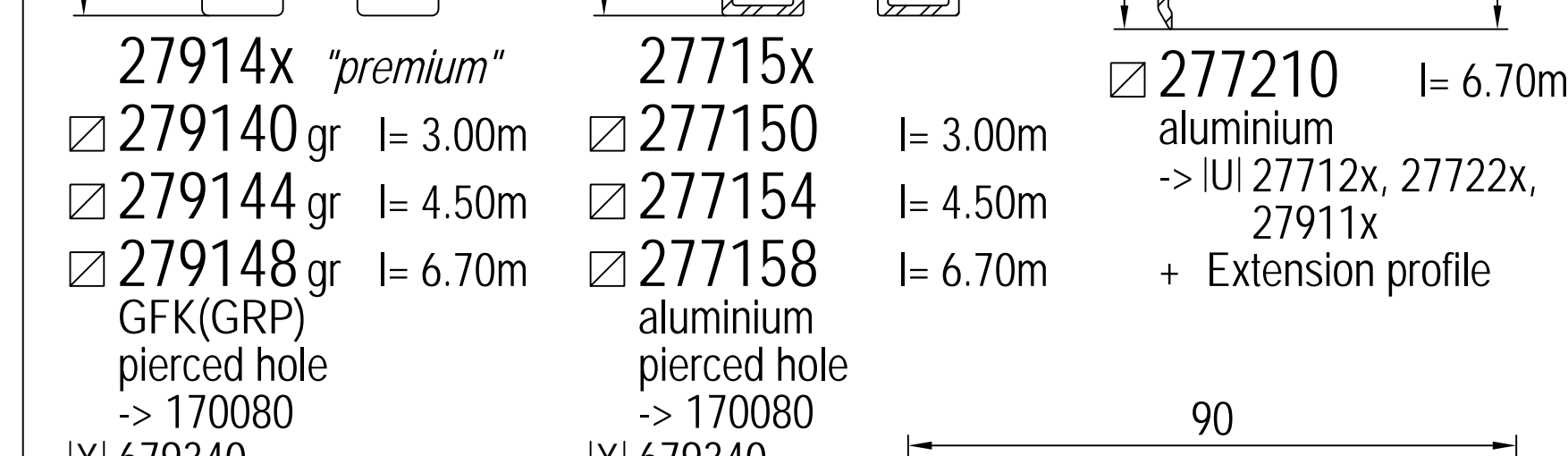


279387 (CL) SL 39mm AU 59mm -> 170101 (CL) 279306 (CL) -> 170082 (CL) + 176106 -> Transoms 279307 (CL) -> 170082 (CL)

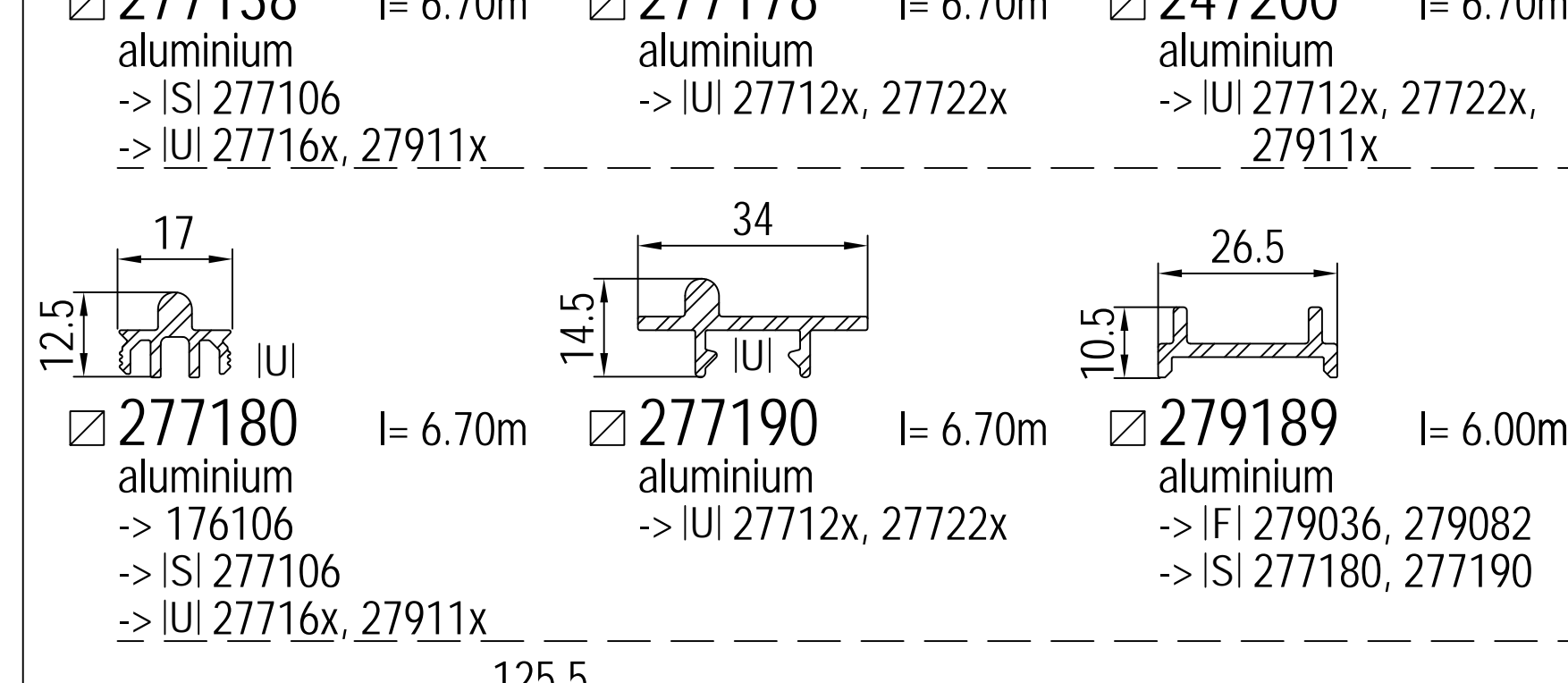


289343 (CL) SL 150mm AU 292mm -> 170x44 (CL) 289341 (CL) SL 130mm AU 252mm -> 170x41 (CL) aluskin IGI Nipple screw / Clip 670180 wh -> IPI 279380, 279384 aluskin IXI Gaskets 459951 bl or 449986 bl - pw 447986 pw -> Glazing aluskin IYI Brush seals 459933 bl -> 170100, 170104 -> IPI 279383

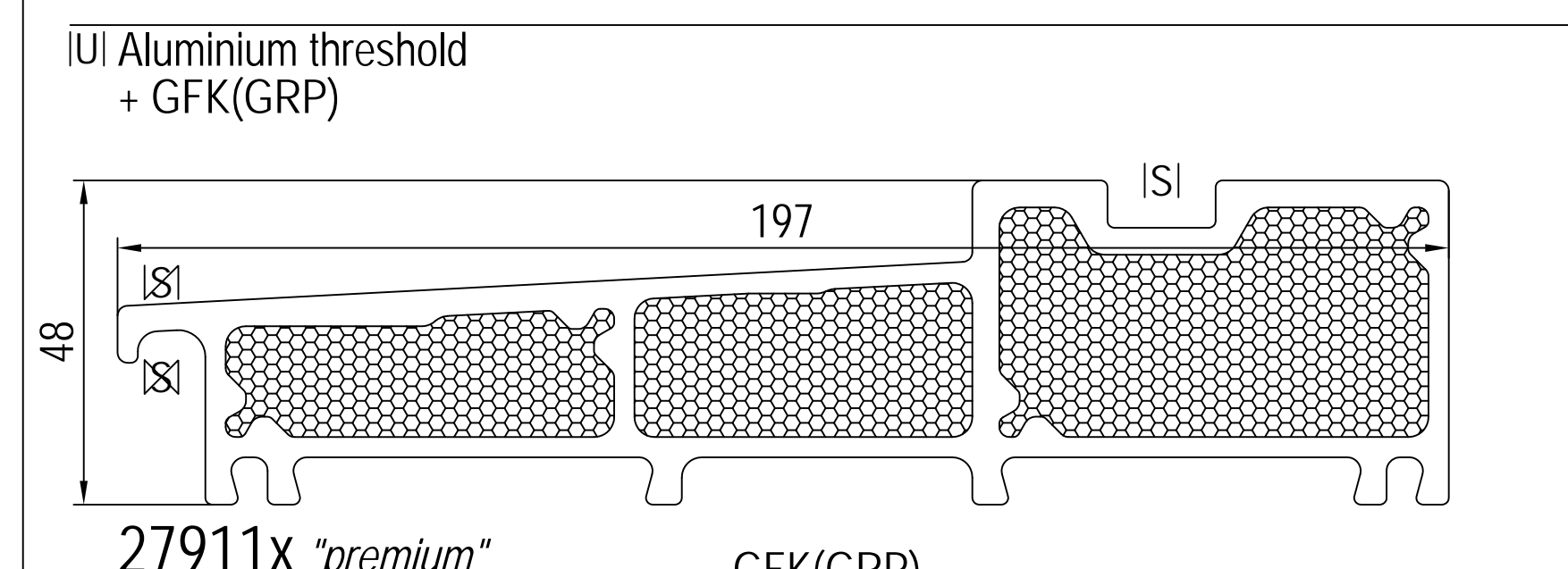
ISI ISI Aluminium profiles + GFK(GRP) 27914x "premium" 279140 gr l=3.00m 279144 gr l=4.50m 279148 gr l=6.70m GFK(GRP) pierced hole -> 170080 IXI 679340 IZI 679341 27715x 277150 l=3.00m 277154 l=4.50m 277158 l=6.70m aluminium pierced hole -> 170080 IXI 679340 IZI 679341 277210 l=6.70m aluminium -> IUI 27712x, 27722x, 27911x + Extension profile 247900 l=6.70m aluminium -> IUI 27712x, 27722x, 27911x 27717x 277170 l=3.00m 277174 l=4.50m 277178 l=6.70m aluminium -> IUI 27712x, 27722x 247200 l=6.70m aluminium -> IUI 27712x, 27722x, 27911x 277180 l=6.70m 277190 l=6.70m 279189 l=6.00m aluminium -> IFI 279036, 279082 -> ISI 277180, 277190 277107 l=85mm aluminium ISI 277106 IUI 27712x, 27716x, 27722x, 27911x IZI 679306



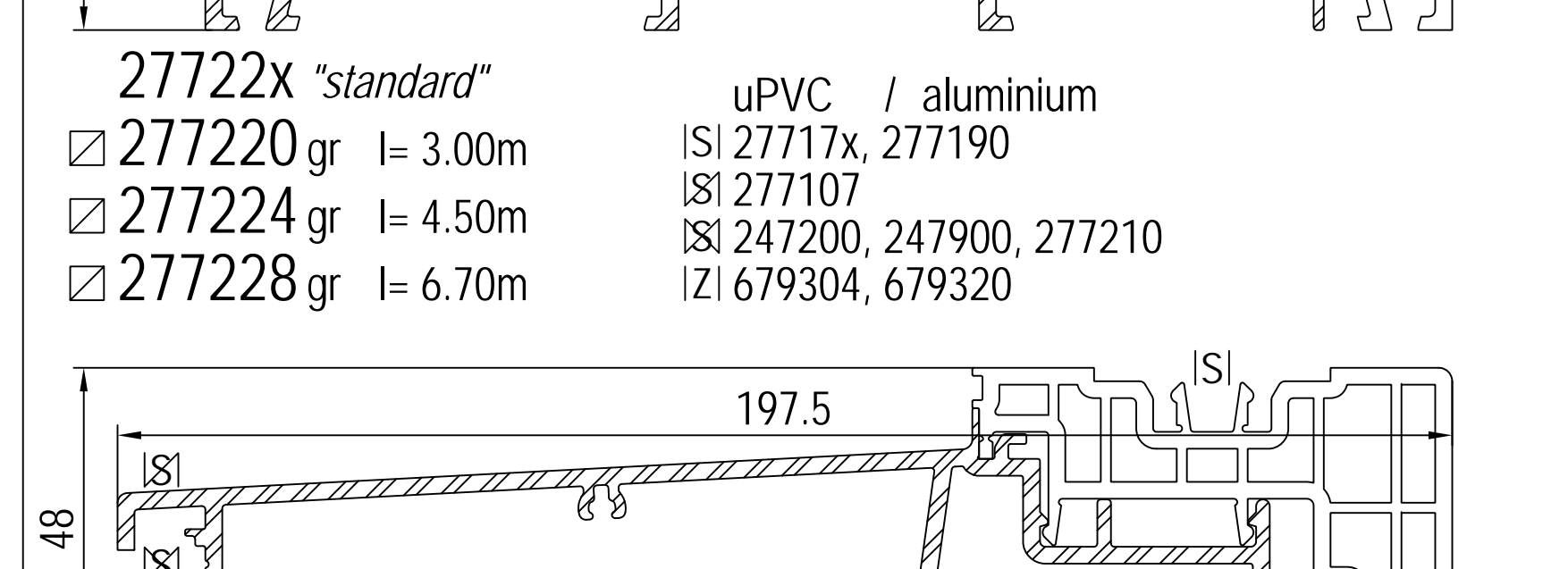
IUI Aluminium threshold + GFK(GRP) 27911x "premium" 279110 gr l=3.00m 279114 gr l=4.50m 279118 gr l=6.70m 27722x "standard" 277220 gr l=3.00m 277224 gr l=4.50m 277228 gr l=6.70m uPVC / aluminium ISI 27717x, 277190 ISI 277107 ISI 247200, 247900, 277210 IZI 679304, 679320 27712x "basic" 277120 gr l=3.00m 277124 gr l=4.50m 277128 gr l=6.70m uPVC / aluminium ISI 27717x, 277190 ISI 277107 ISI 247200, 247900, 277210 IZI 679304, 679320



IUI Aluminium threshold + GFK(GRP) 27911x "premium" 279110 gr l=3.00m 279114 gr l=4.50m 279118 gr l=6.70m GFK(GRP) ISI 27717x, 277180 ISI 277107 ISI 247200, 247900, 277210 IZI 679304, 679320

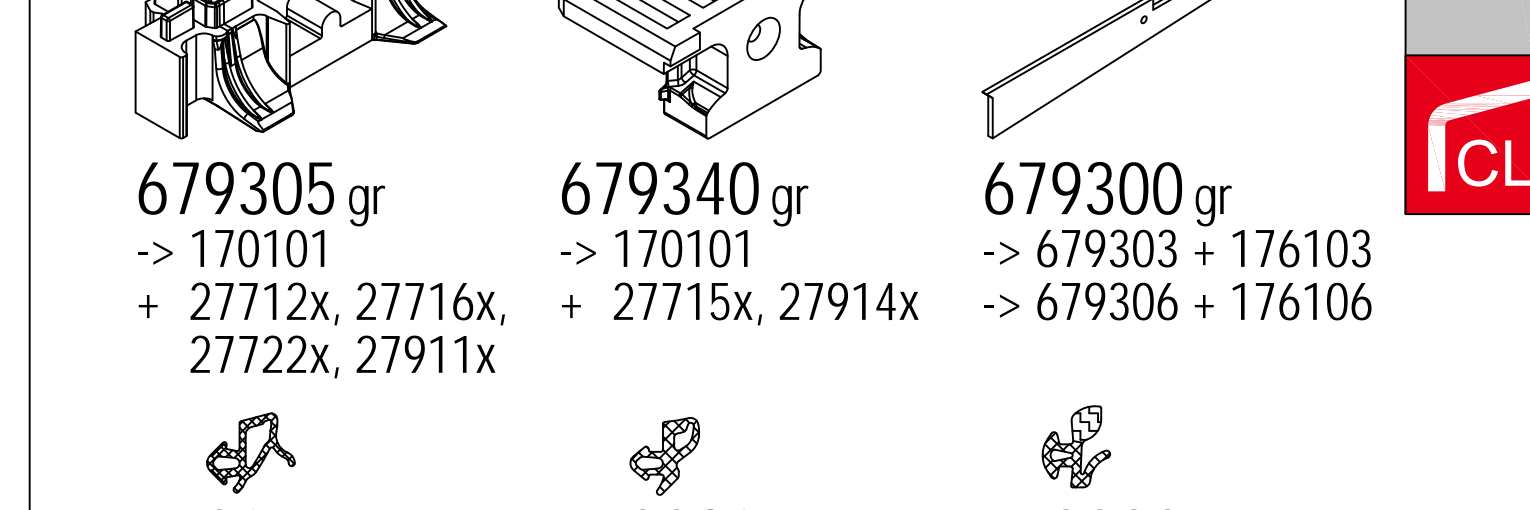


27722x "standard" 277220 gr l=3.00m 277224 gr l=4.50m 277228 gr l=6.70m uPVC / aluminium ISI 27717x, 277190 ISI 277107 ISI 247200, 247900, 277210 IZI 679304, 679320

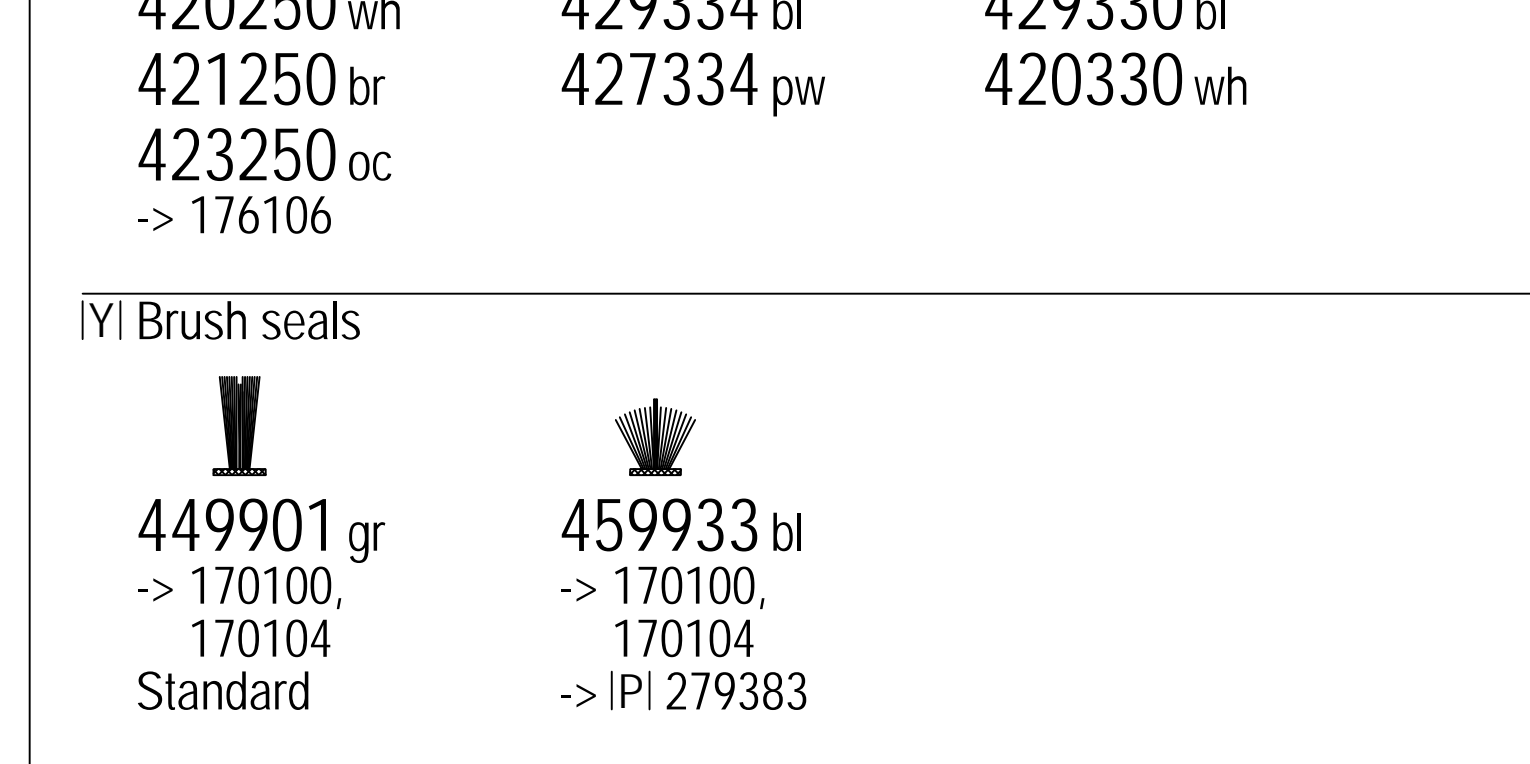


27712x "basic" 277120 gr l=3.00m 277124 gr l=4.50m 277128 gr l=6.70m uPVC / aluminium ISI 27717x, 277190 ISI 277107 ISI 247200, 247900, 277210 IZI 679304, 679320 27716x Alternative 277168 gr l=6.70m uPVC / aluminium ISI 27713x, 277180 ISI 277107 IZI 679304, 679320 cut

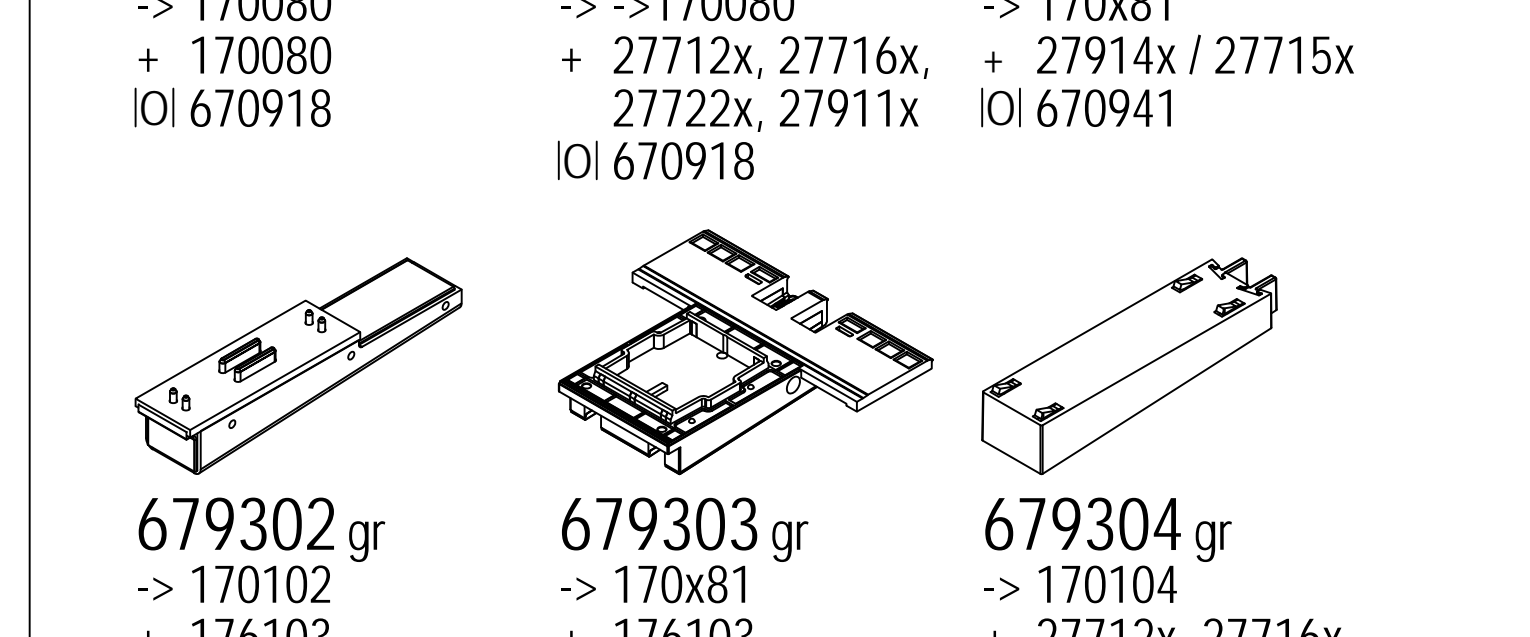
IXI Gaskets 479181 bl -> 170x81 479180 bl -> 170100 479330 bl -> 679330 + 170105 679305 gr -> 170101 + 27712x, 27716x, 27722x, 27911x 679340 gr -> 170101 + 27715x, 27914x 679300 gr -> 679303 + 176103 -> 679306 + 176106 479015 bl 477015 pw Standard 459925 bl 450925 pw 453925 oc 420250 wh 421250 br 423250 oc -> 176106 449980 bl 447980 pw 459922 bl - pw 459923 bl - pw 429334 bl 427334 pw 429330 bl 420330 wh



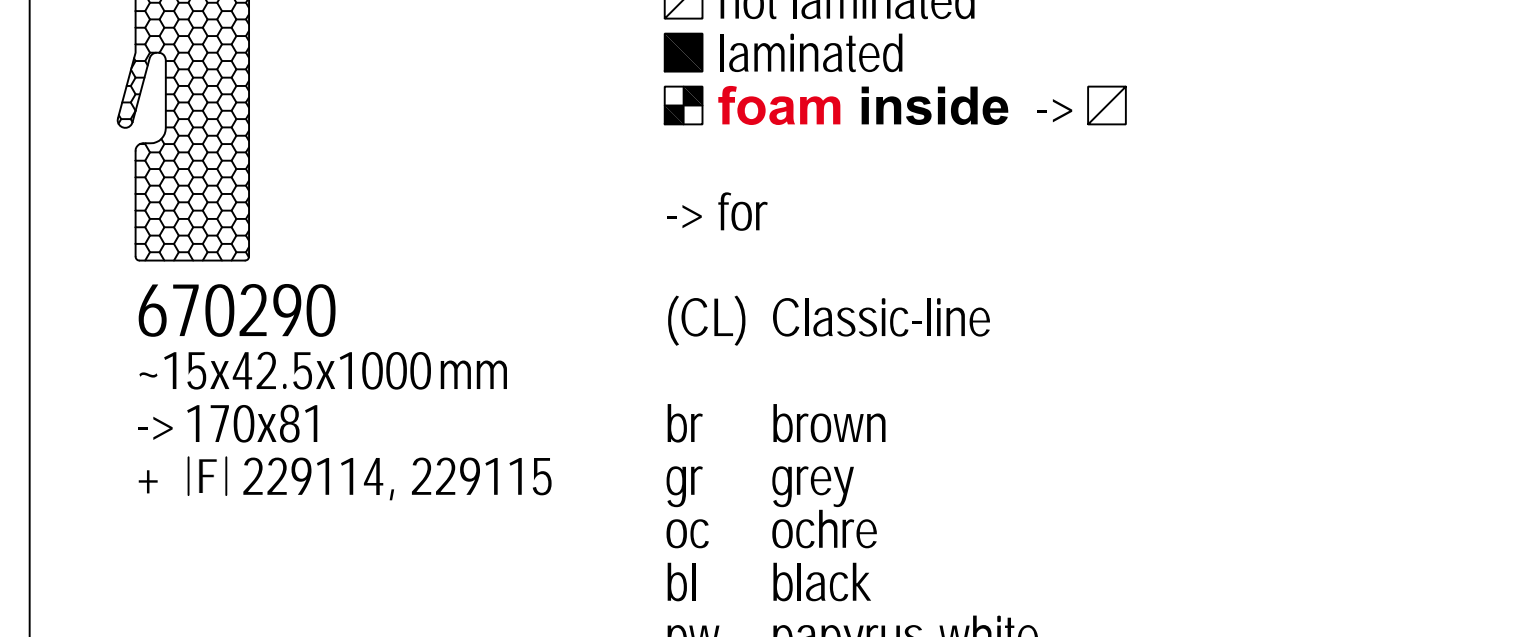
IYI Brush seals 449901 gr -> 170100, 170104 Standard 459933 bl -> 170100, 170104 -> IPI 279383



IZI Special accessories 670380 wh -> 170080 + 170080 IOI 670918 Set 679320 gr -> -> 170080 + 27712x, 27716x, 27722x, 27911x IOI 670918 Set (l+r) 679341 gr -> 170x81 + 27914x / 27715x IOI 670941 679302 gr -> 170102 + 176103 679303 gr -> 170x81 + 176103 679304 gr -> 170104 + 27712x, 27716x, 27722x, 27911x 670382 wh -> 170x81 + 170082 679306 gr -> 176106, ISI 277107 679330 gr -> 170105 IXI 479330

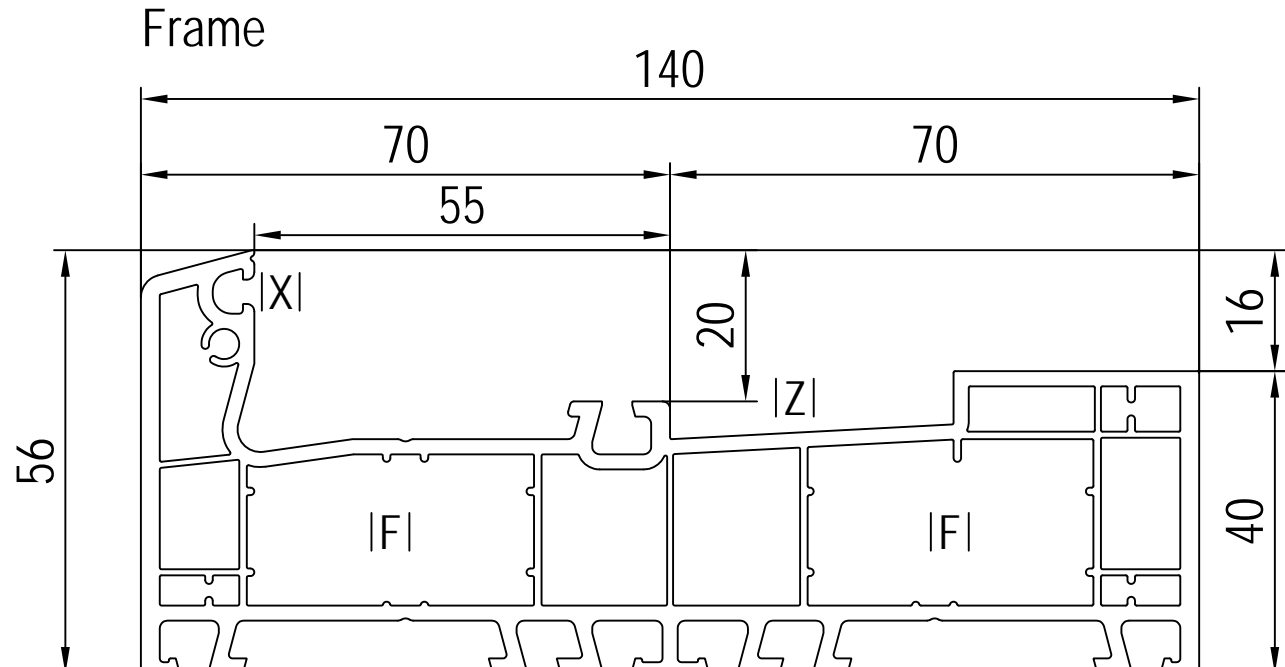


■ not laminated ■ laminated ■ foam inside -> ■ -> for (CL) Classic-line br brown gr grey oc ochre bl black pw papyrus-white wh white 1) or 2) SL: visible length AU: exterior perimeter SL: AU:

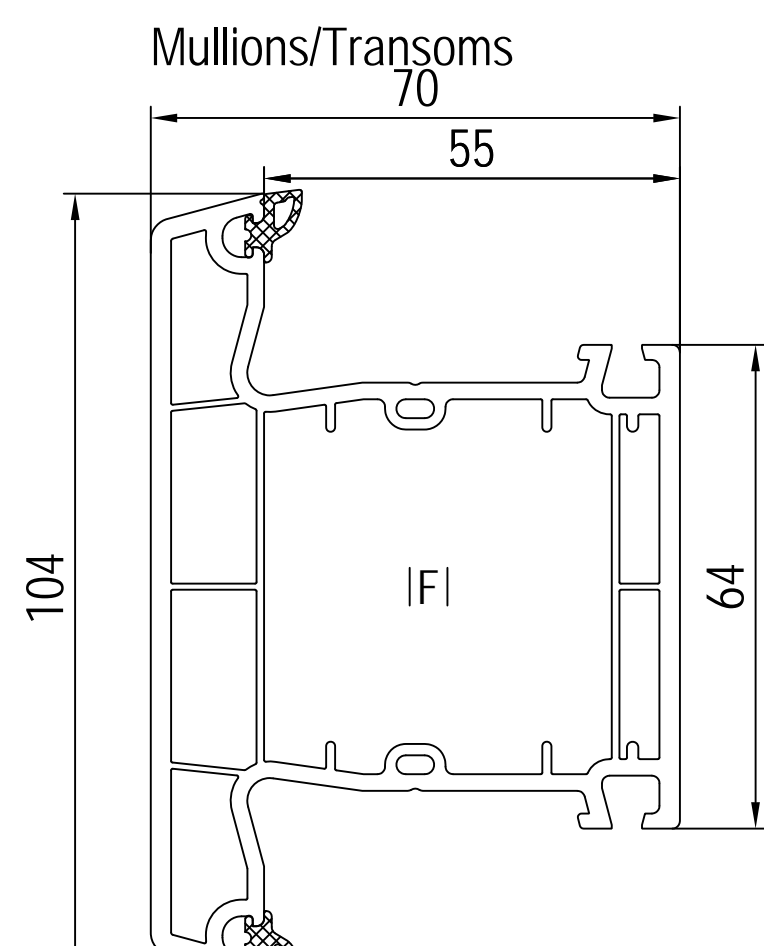


670290 -15x42.5x1000mm -> 170x81 + IFI 229114, 229115

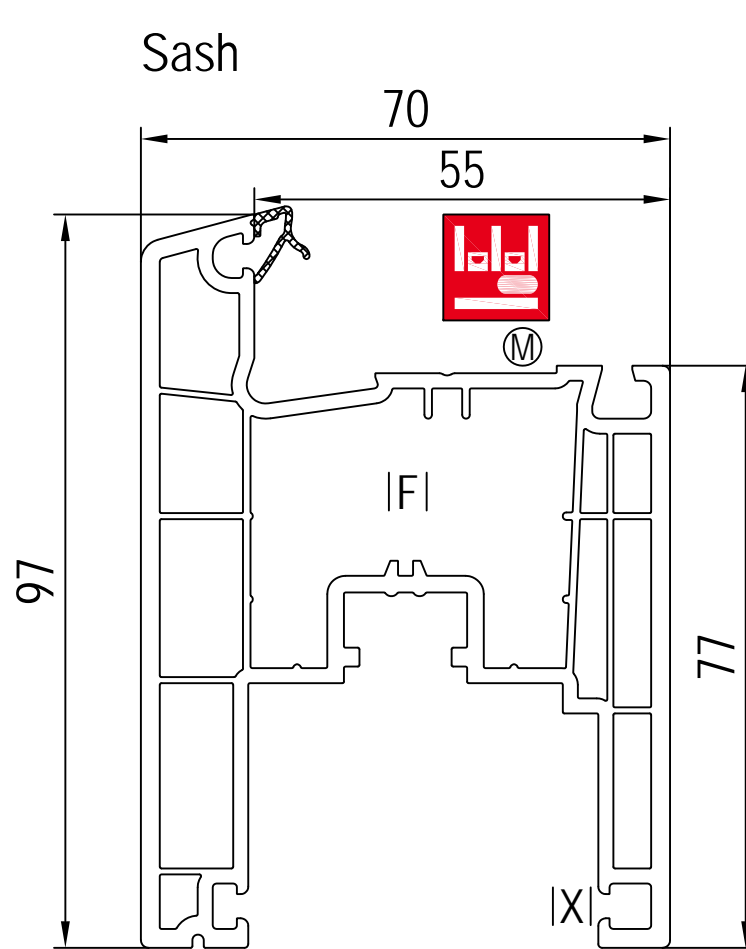
Main Profiles



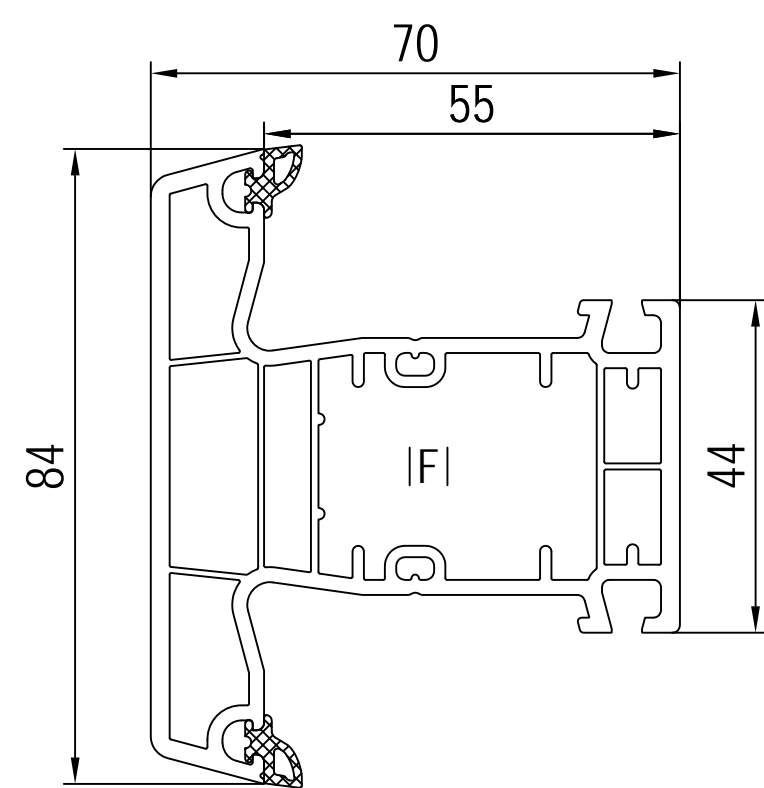
■ 100091 (CL)
IAI 640301, 640311, 640320
IFI 229037
IPI 209391 + IPI 209390
IQI 207291 -> 100091 + 100291
IXI 447980, 449980, 479015, 477015
IZI 609291
-> Roto Patio Inowa
ISI 207293, 207295, 207296
-> Siegenia Eco Slide
ISI 207283 + ISI 207285, 207286



■ 140x45 (CL)
IAI 640301, 640311, 640320
IFI 647245 - ...
IDI 677133 IDI 647136, 677103 - 140x4x ...
IDI 640046 - universal
IFI 249034, 249035
IPI 249343

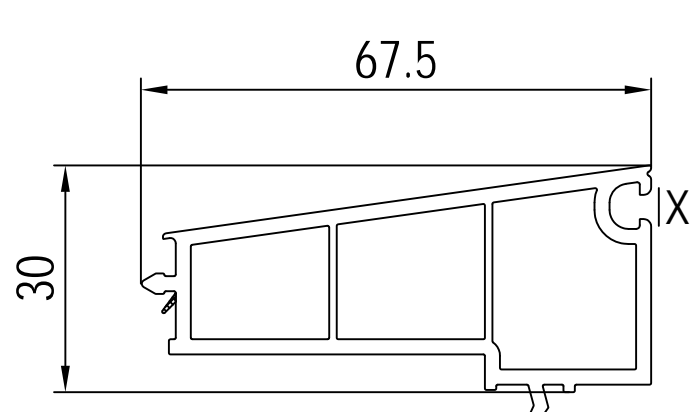


■ 100x94 (CL)
IAI 650250, 650252, 655251
or IJI
IFI 209294
IJI 642261, 642262, 642263
IPI 209394
-> Roto Patio Inowa
ISI 207290, 207292
IXI 447340, 449340
-> Siegenia Eco Slide
ISI 207282

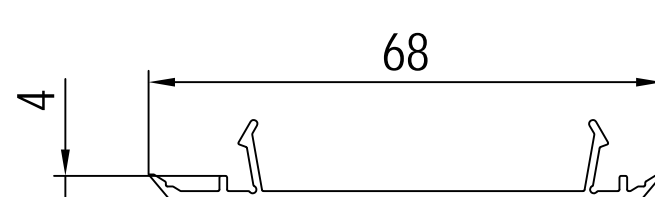


■ 140x41 (CL)
IAI 640301, 640311, 640320
IFI 647241 - ...
IDI 647241 - ...
IDI 647131, 649131, 647132 - 140x4x ...
IDI 647101, 649101, 647102 - 140x4x ...
IDI 620046 - universal
IFI 229098, 229100, 229101
IPI 249341

Additional Profiles



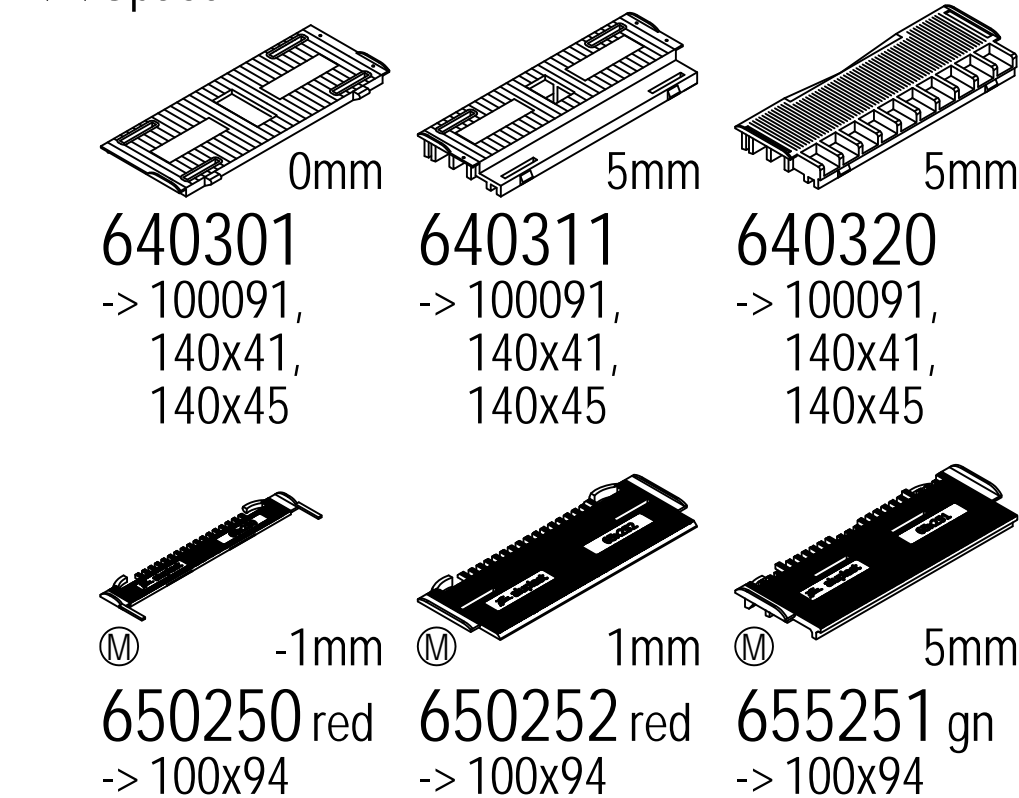
■ 100291 (CL)
-> 100091, 140x41, 140x45
IQI 207291 -> 100091 + 100291
IXI 459952



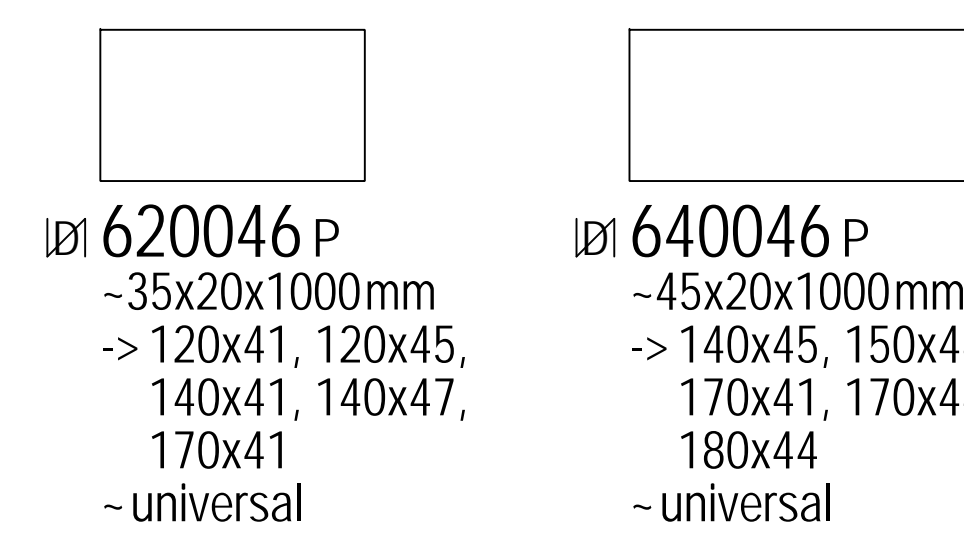
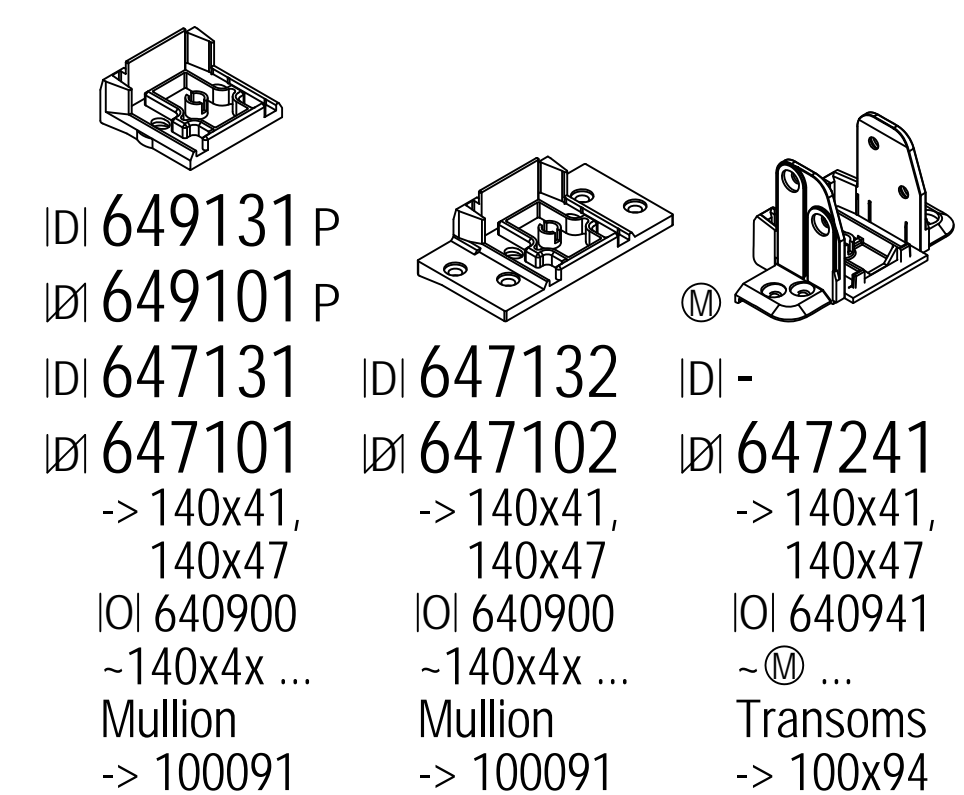
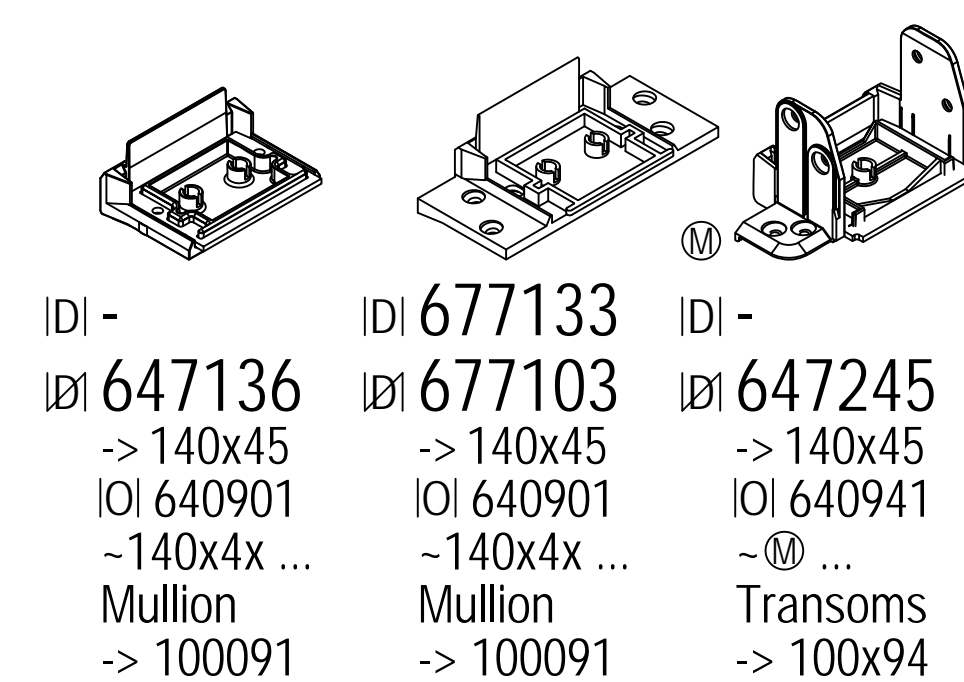
■ 100294 (CL)
-> 100x94

Accessories

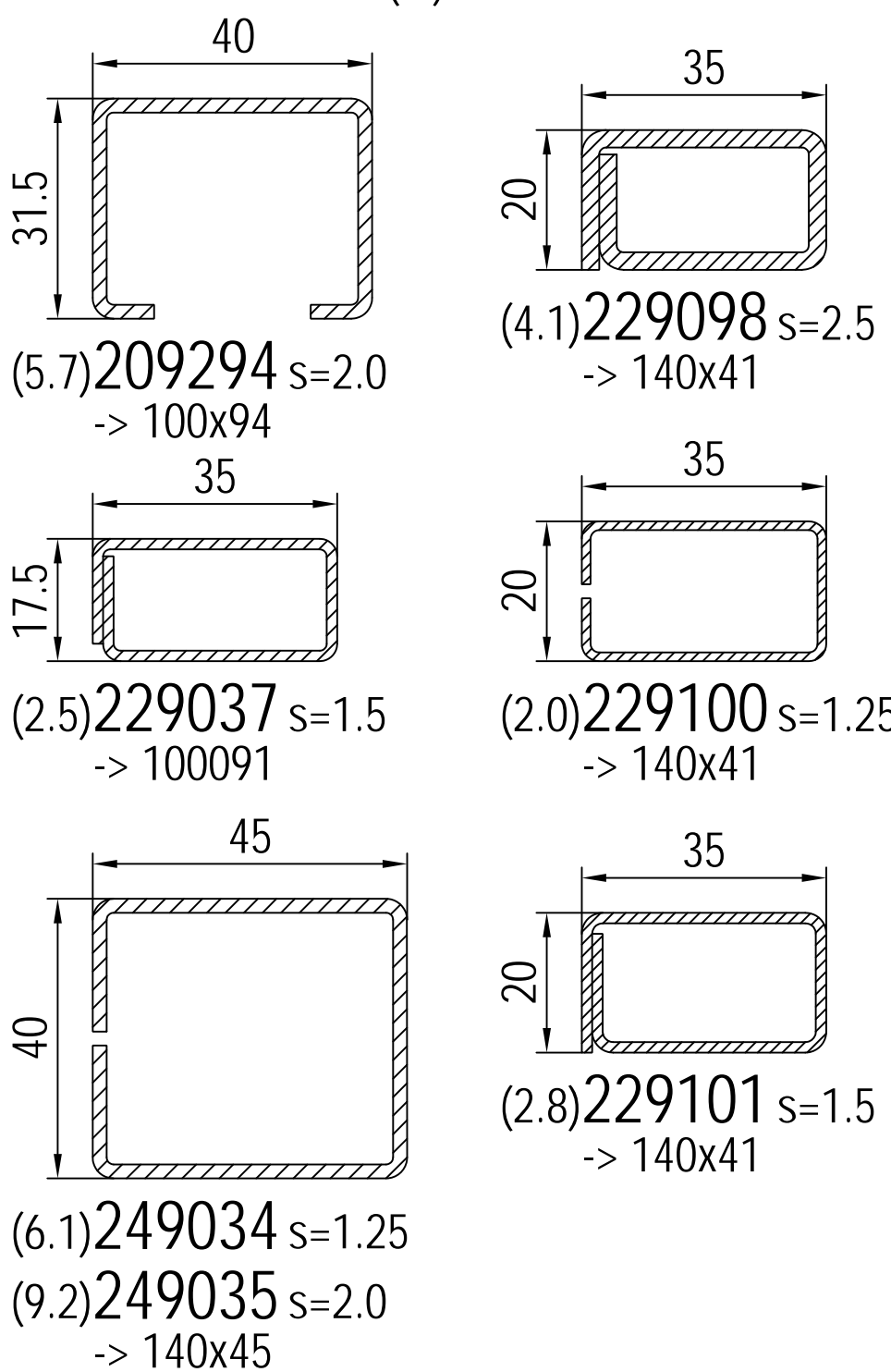
IAI Spacer



IDI Connector
IDI Connector without sticks
P-Plastic

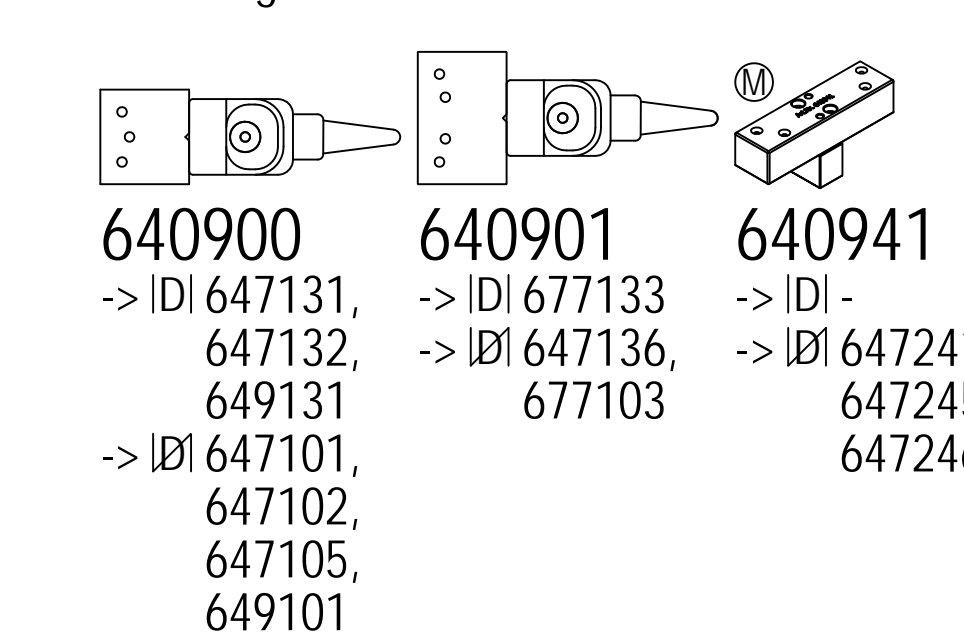


IFI Reinforcements (...) = Ix

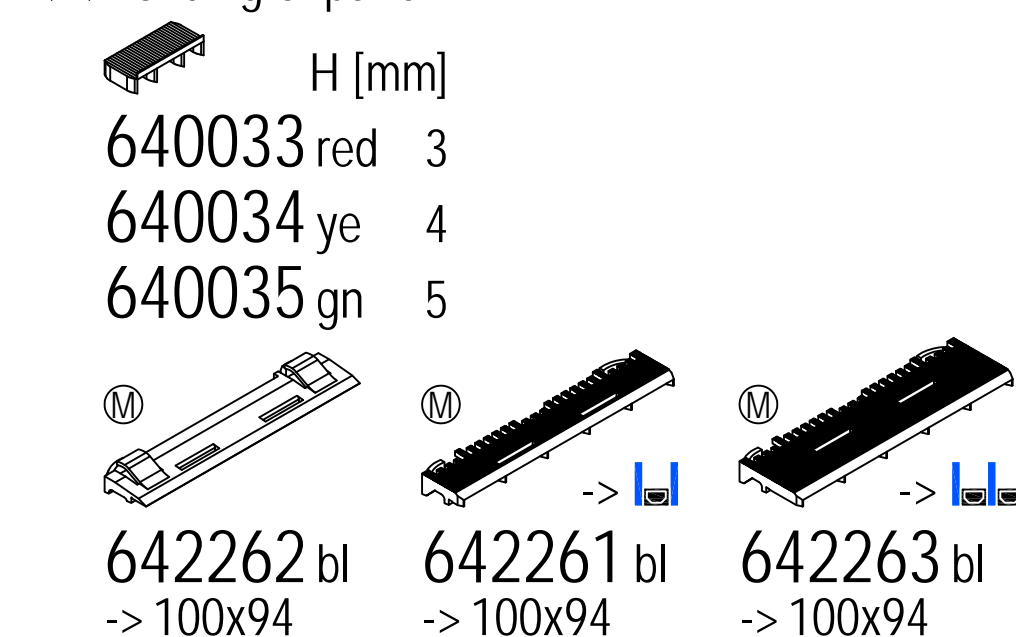


IGI Nipple screw / Clip
see
-> IPI aluskin

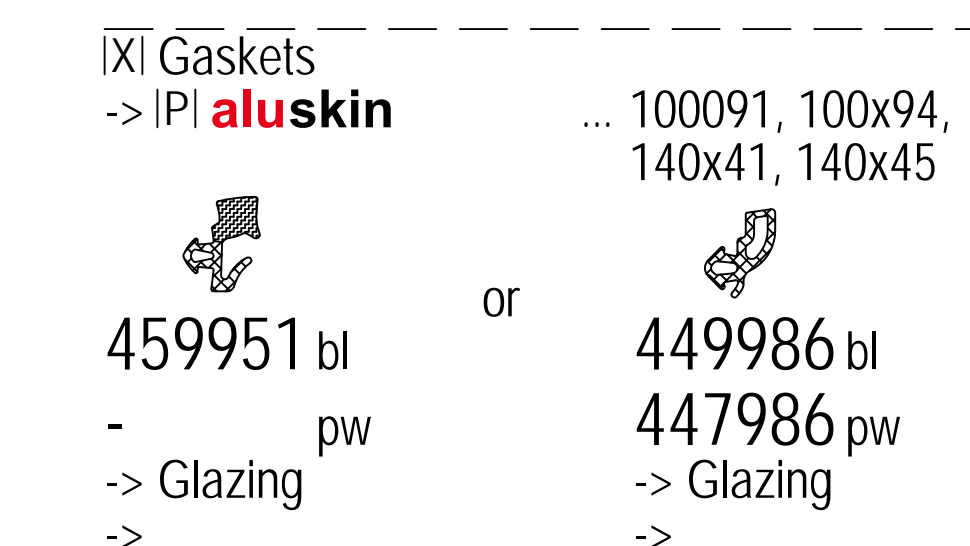
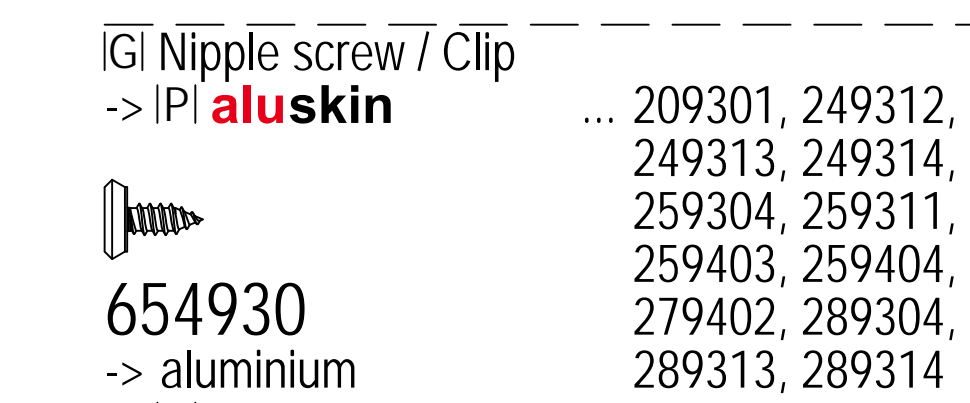
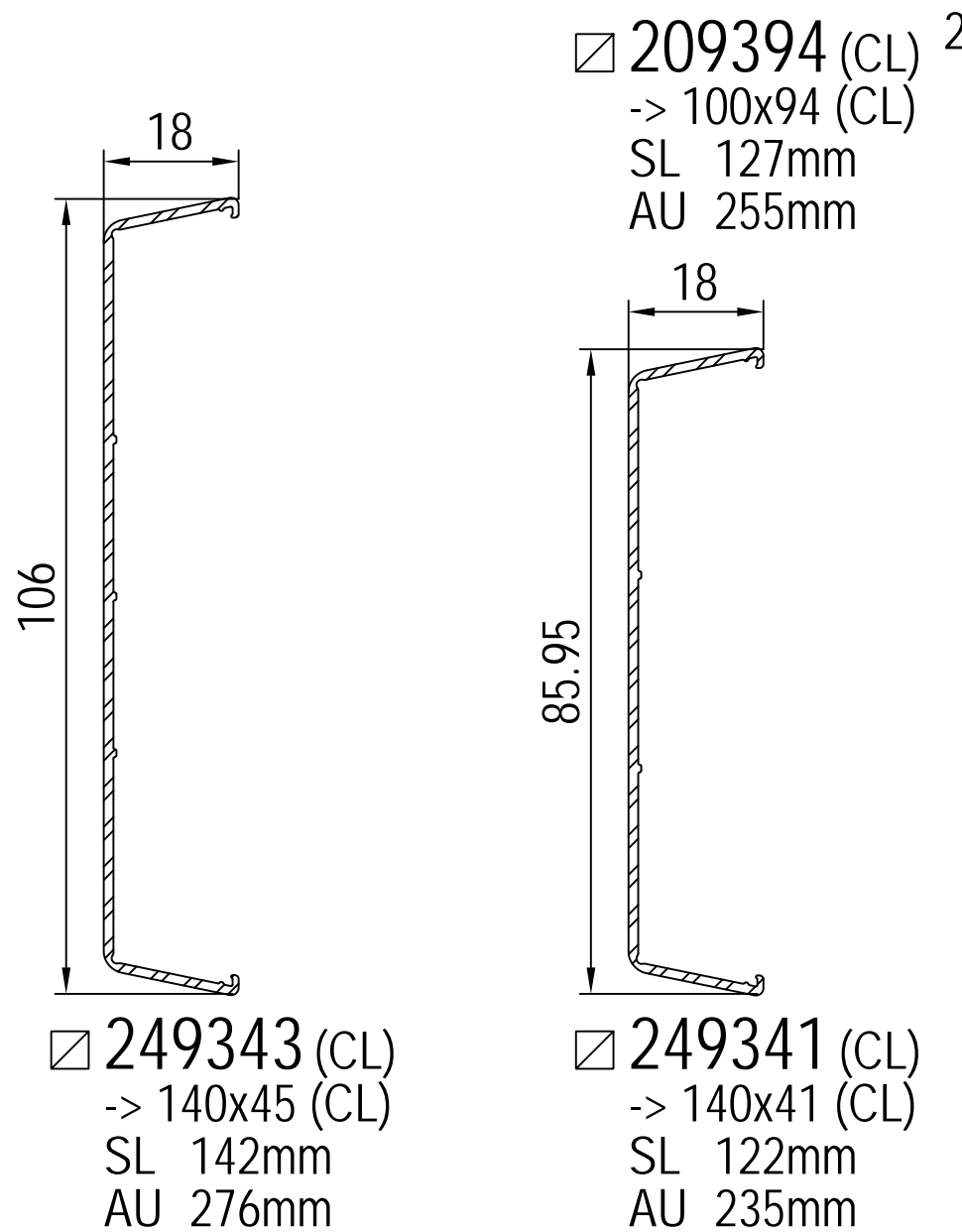
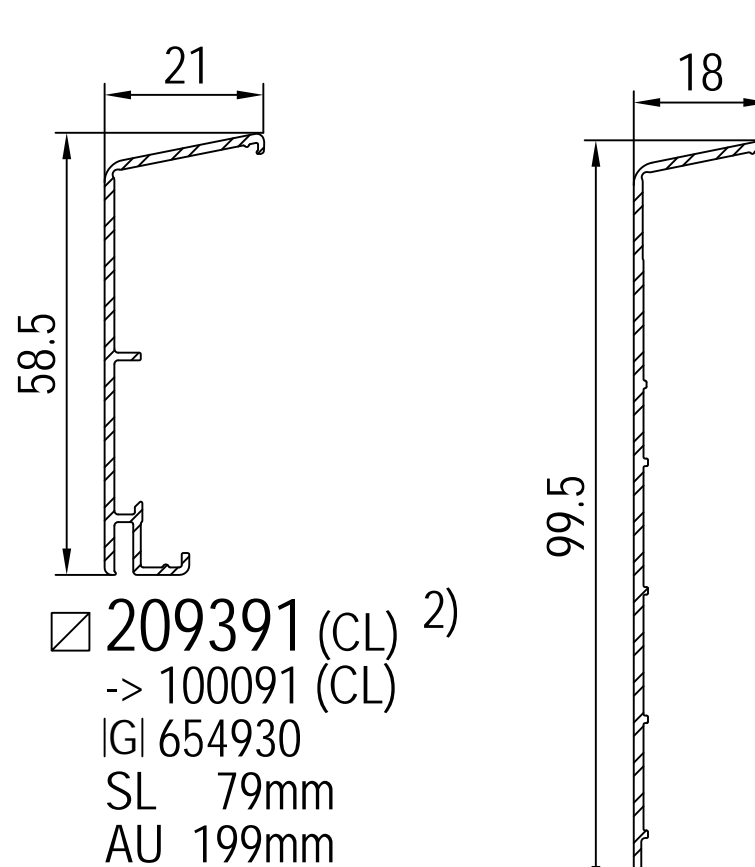
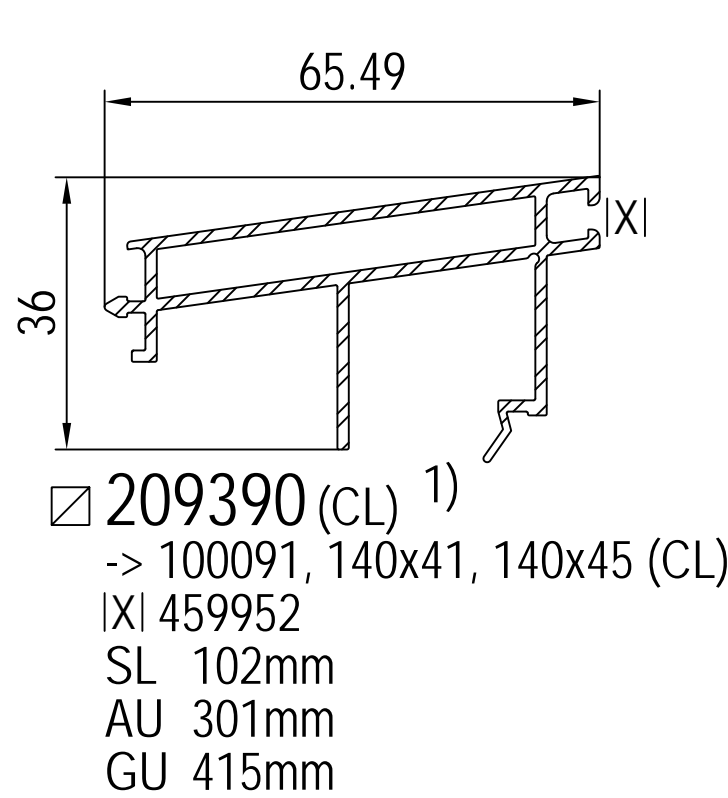
IOI Mounting accessories



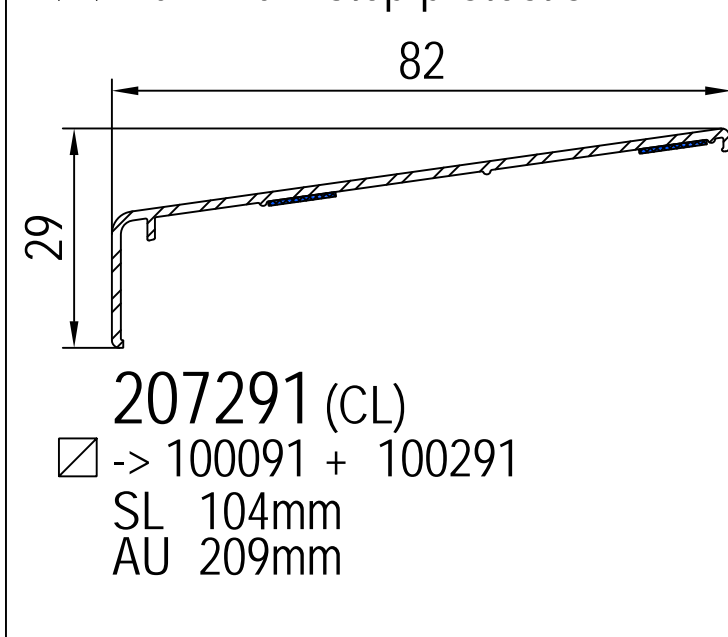
IJI Bonding of pane



IPI aluskin Aluminium shells

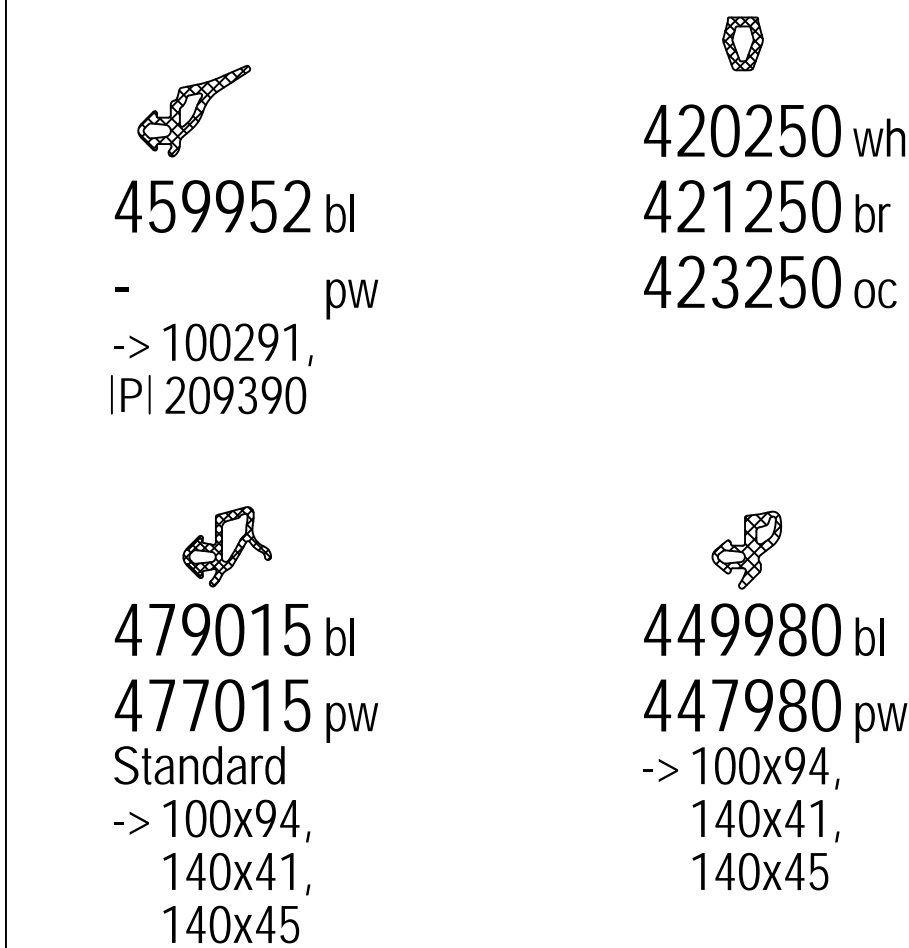


IQI Aluminium step protection

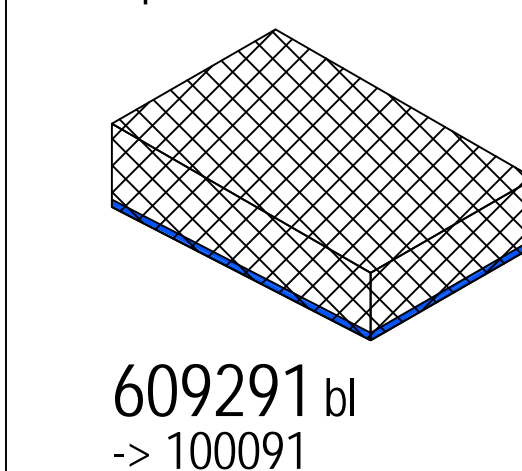


ISI Aluminium profiles
see
-> Roto Patio Inowa
-> Siegenia Eco Slide

IXI Gaskets
+ see
-> IPI aluskin
-> Roto Patio Inowa

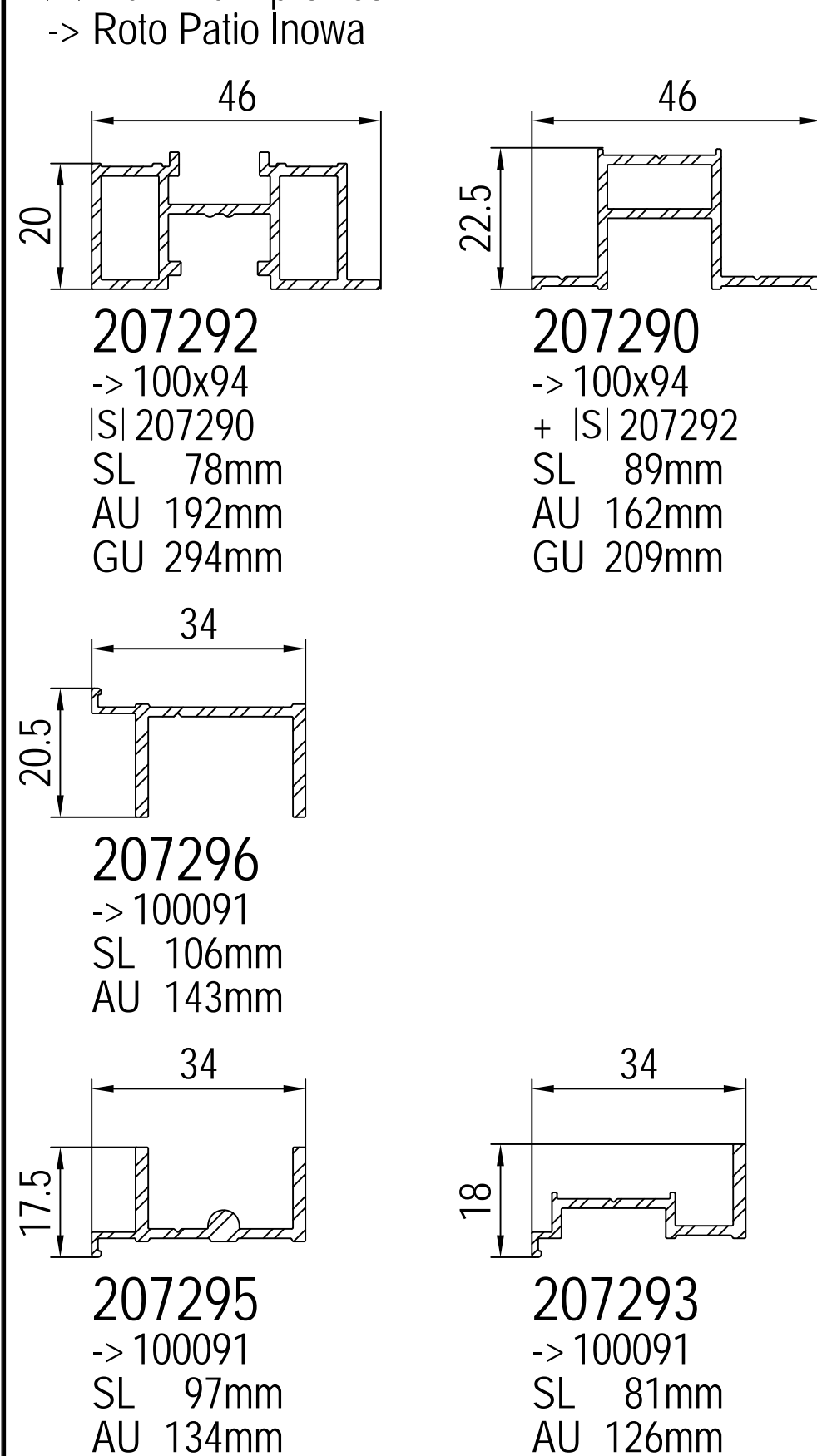


IZI Special accessories



-> Roto Patio Inowa

ISI Aluminium profiles
-> Roto Patio Inowa

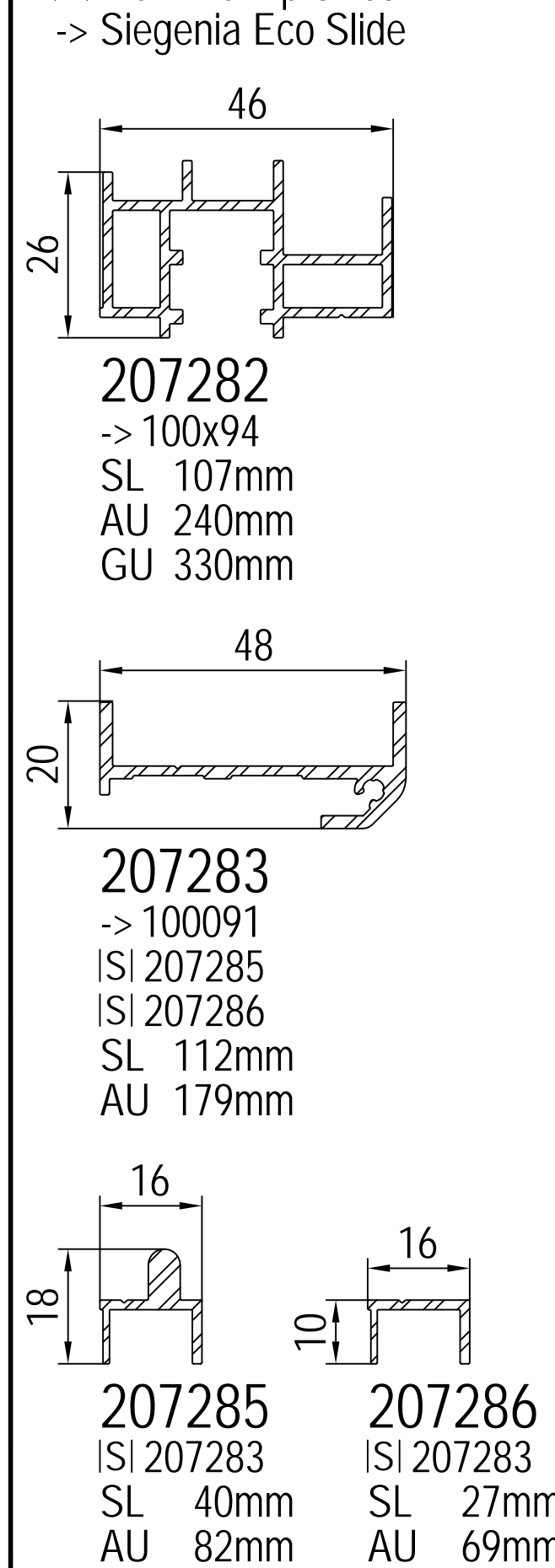


IXI Gaskets
-> Roto Patio Inowa



-> Siegenia Eco Slide

ISI Aluminium profiles
-> Siegenia Eco Slide



⊗ Bonding of pane Option

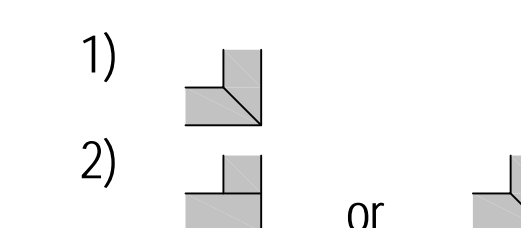
■ not laminated

□ laminated

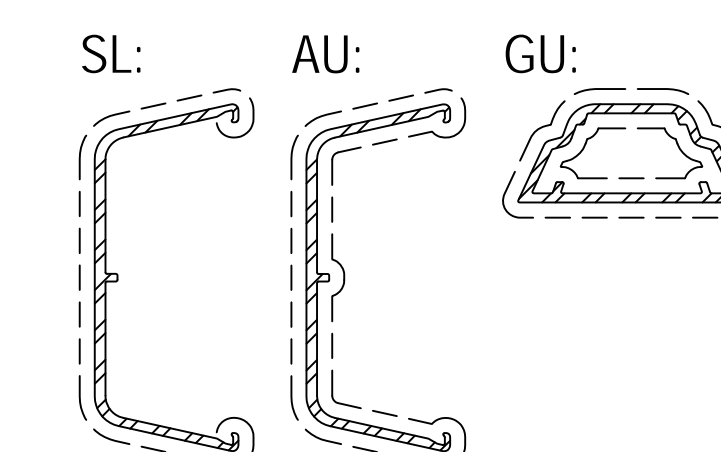
-> for

(CL) Classic-line

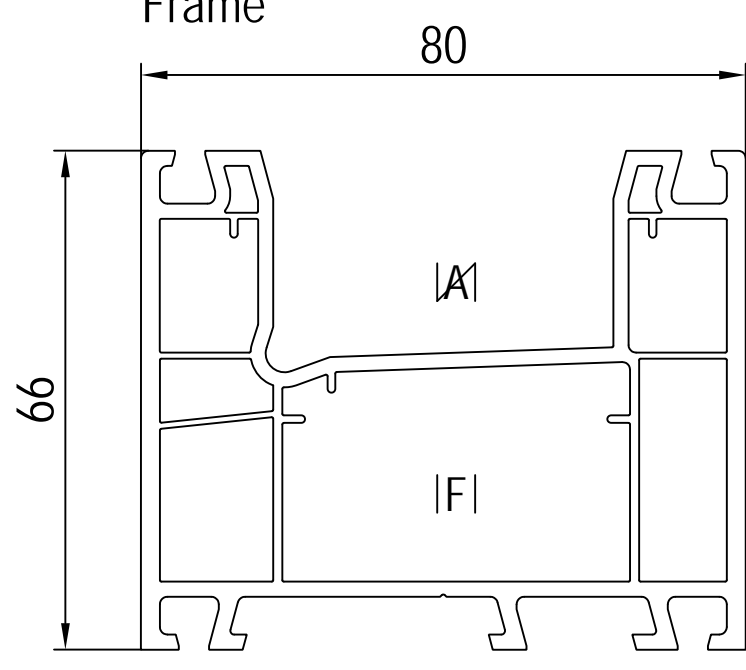
ye yellow
gn green
br brown
oc ochre
red red
bl black
pw papyrus-white
wh white



SL visible length
AU exterior perimeter
GU overall perimeter

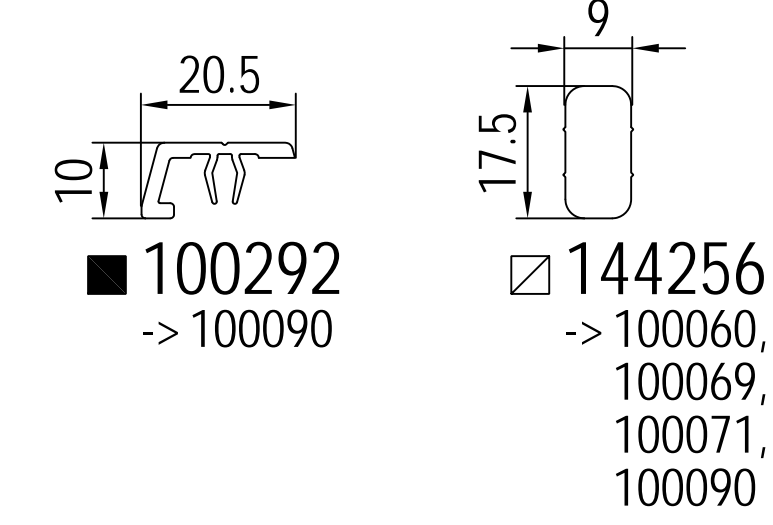


multi-slide



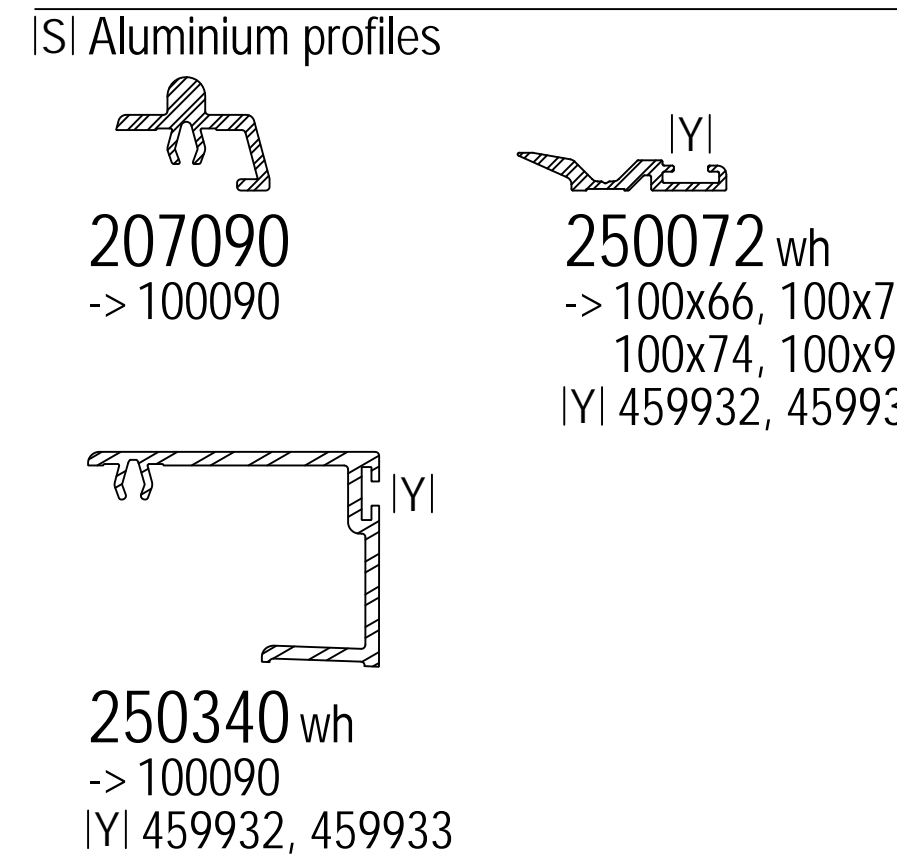
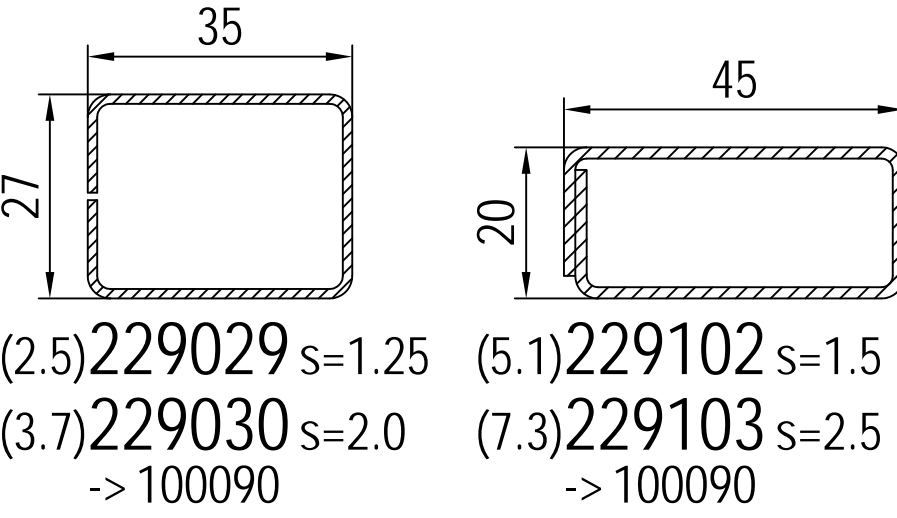
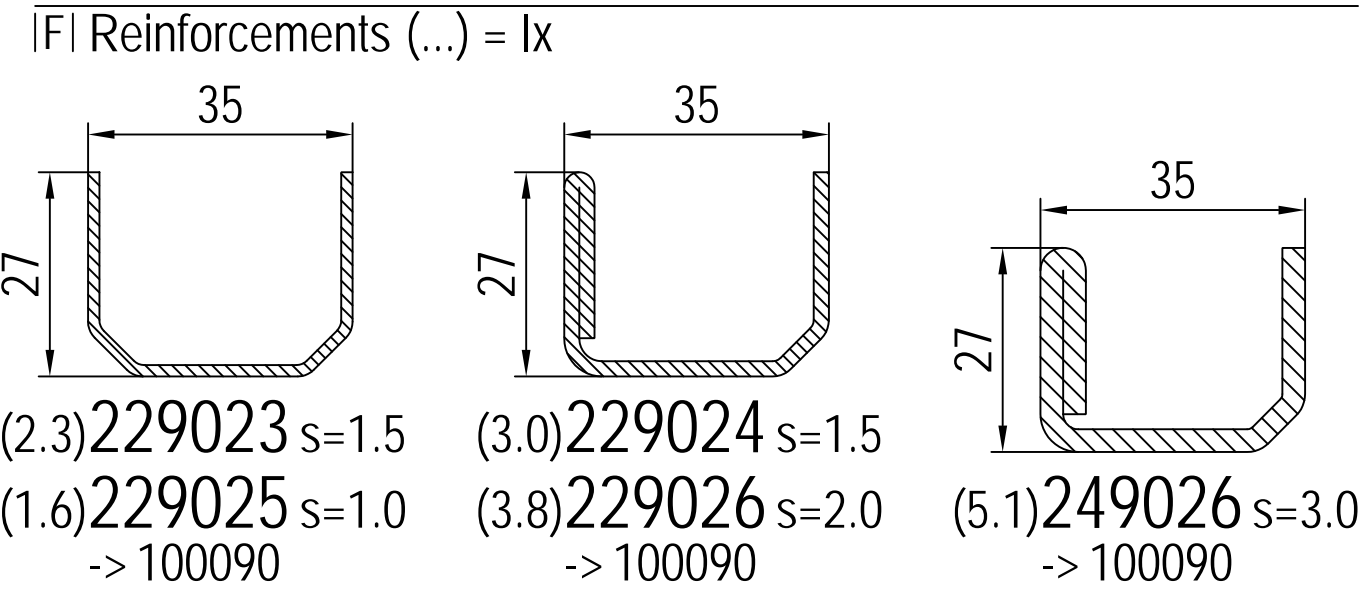
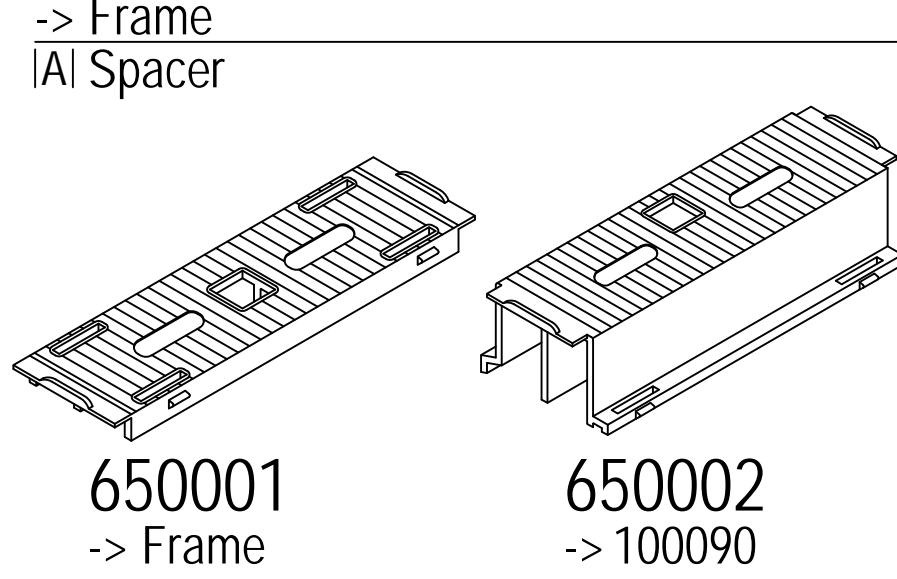
■ 100090 (CL)
IAI 650001 IAI 650002
IFI 229023, 229024, 229025, 229026,
229029, 229030, 229102, 229103,
249026
ISI 207090, 250340
IZI 600090

Additional Profiles

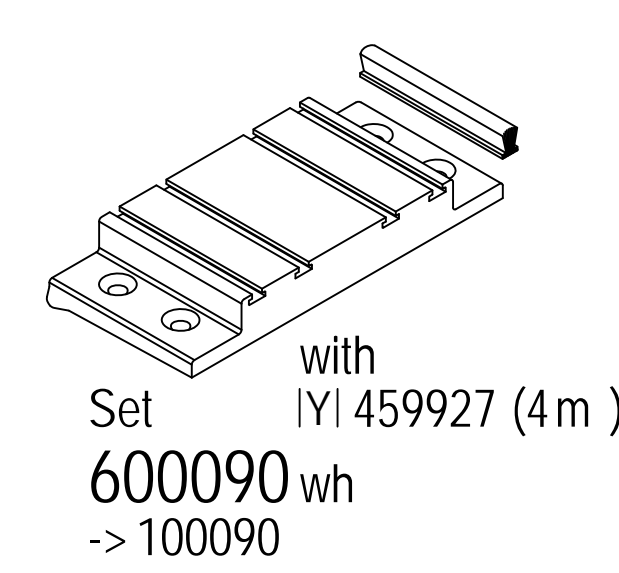


■ 100292
-> 100090
□ 144256
-> 100060, 100069, 100071, 100090

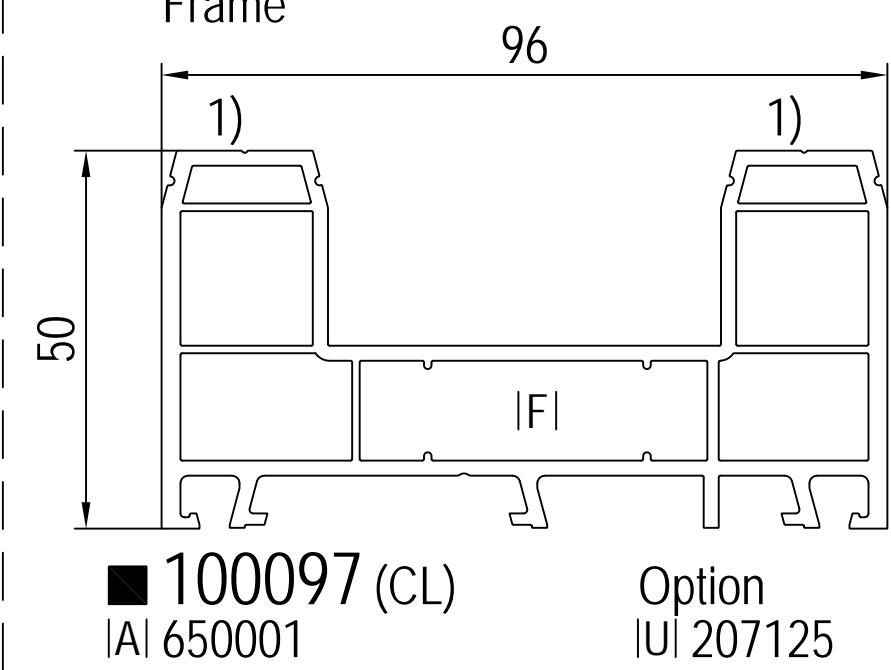
Accessories



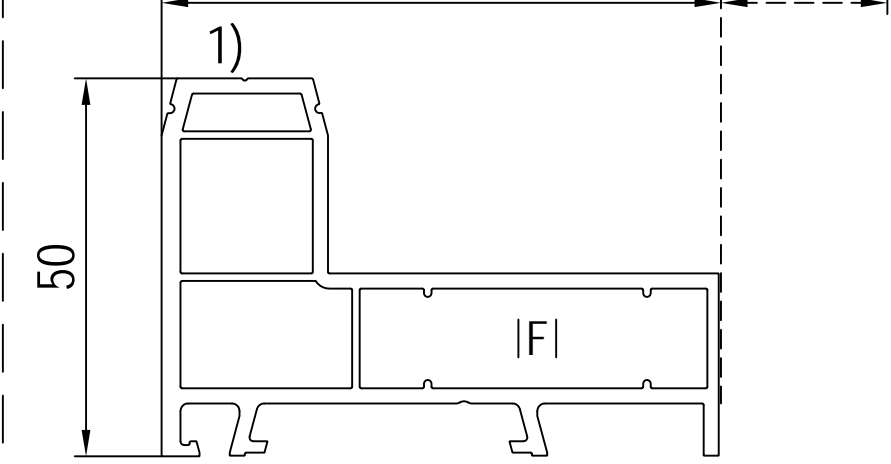
IZI Special accessories



multi-slide

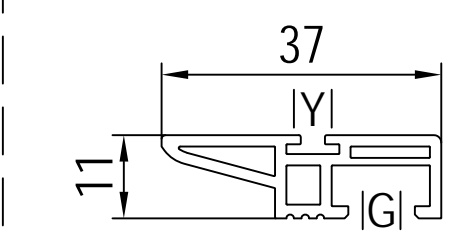


■ 100097 (CL)
IAI 650001
IFI 209121
SI 207120¹⁾, 200122
ZI 600100
Option IUI 207125
IVI 606125



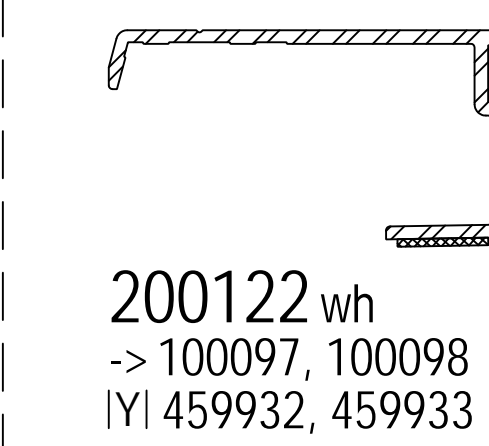
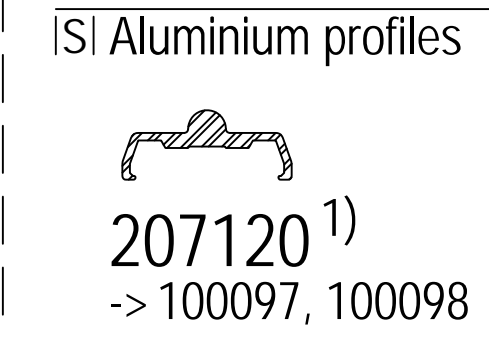
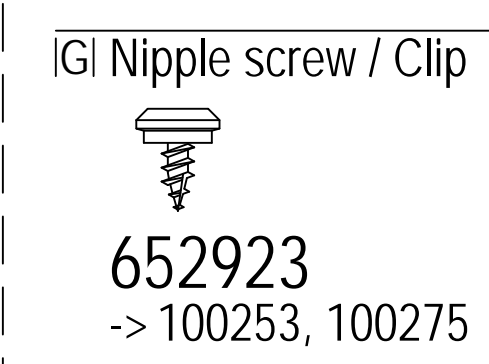
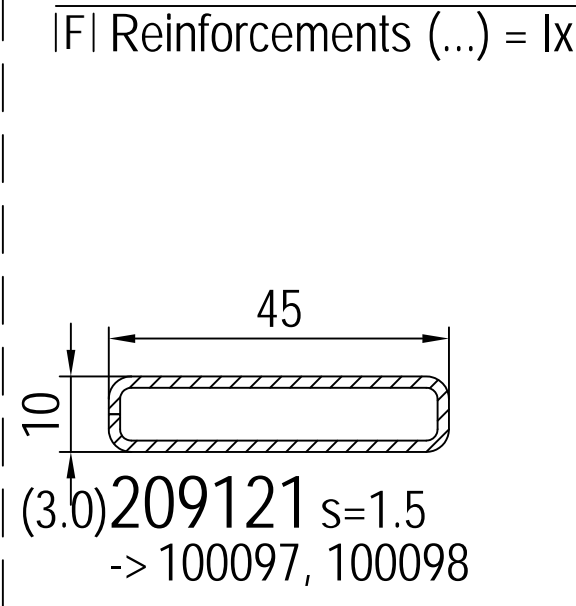
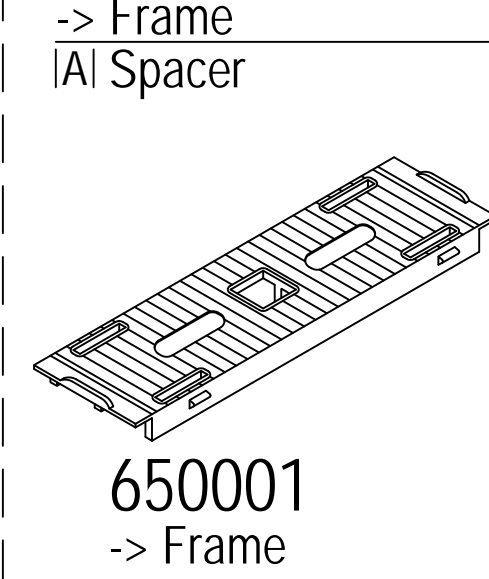
■ 100098 (CL)
= 100097 cut
IAI 650001
IFI 209121
SI 207120¹⁾, 200122
ZI 600100
Option IUI 207124

Additional Profiles

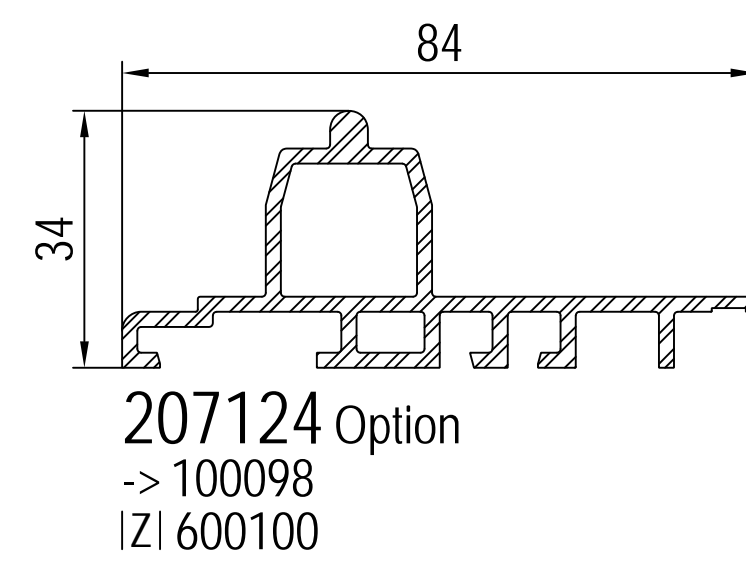
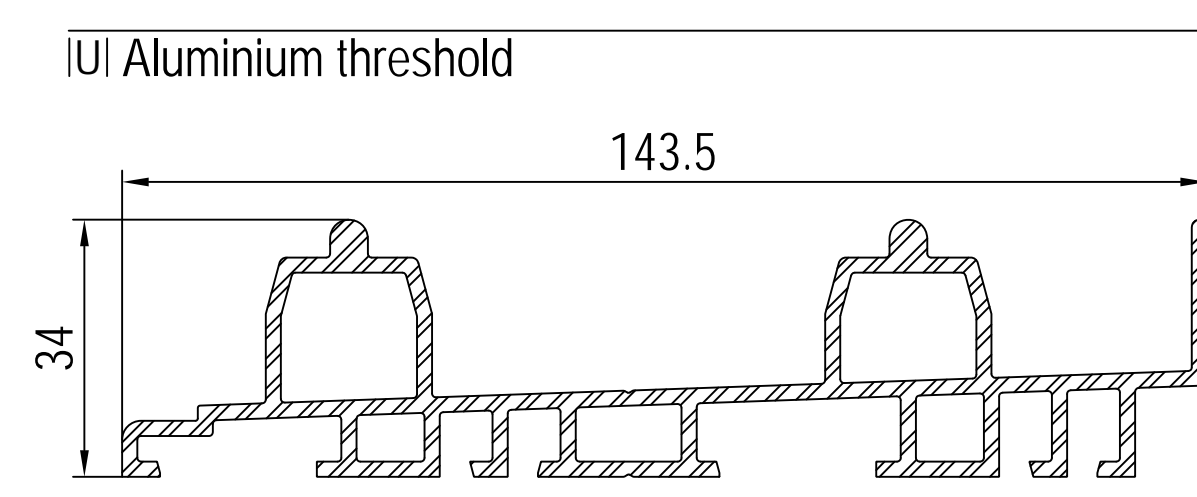
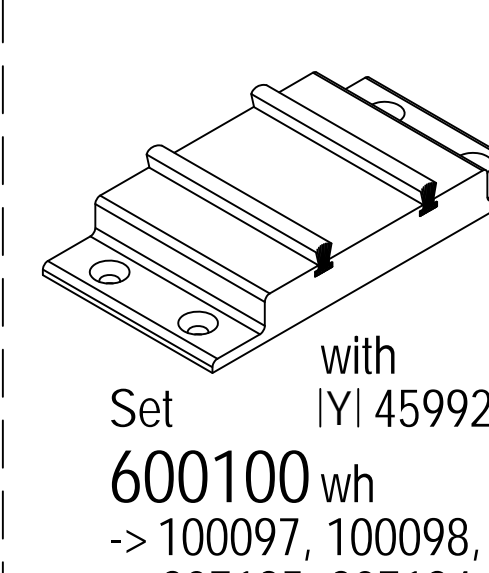


■ 100253
-> 100x92
IGI 652923
IYI 459927

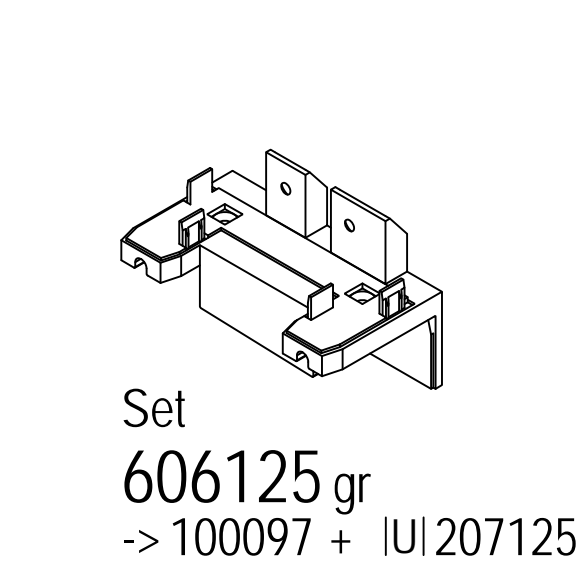
Accessories



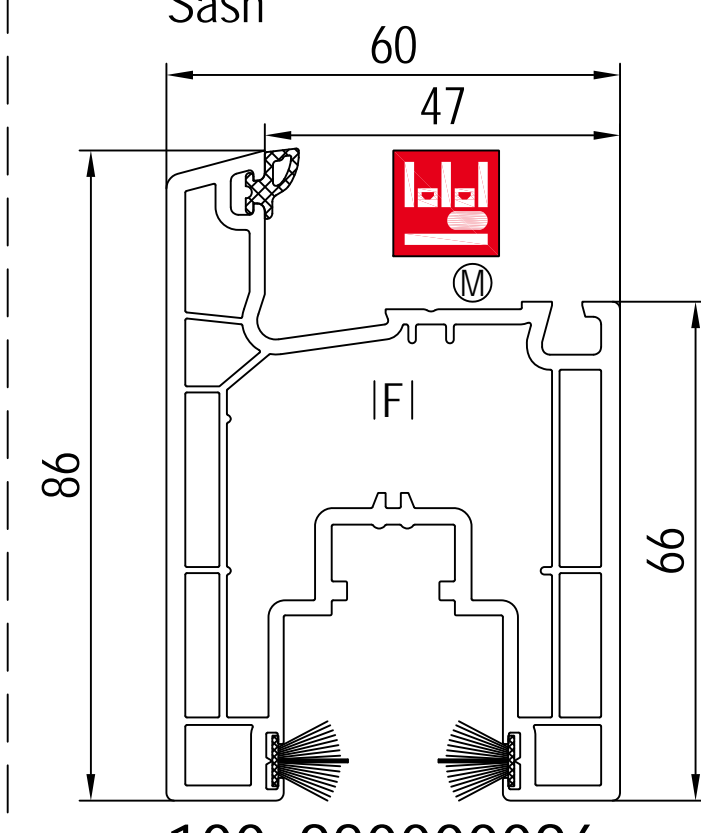
IZI Special accessories



IUI Connection for threshold

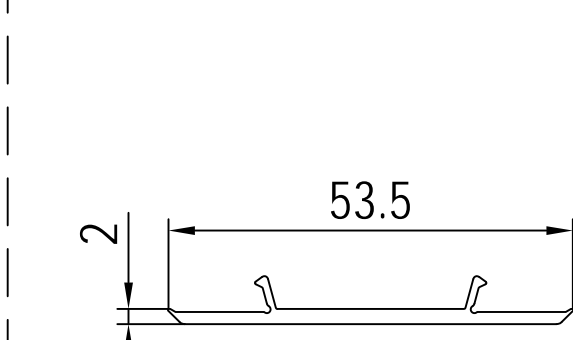


multi-slide



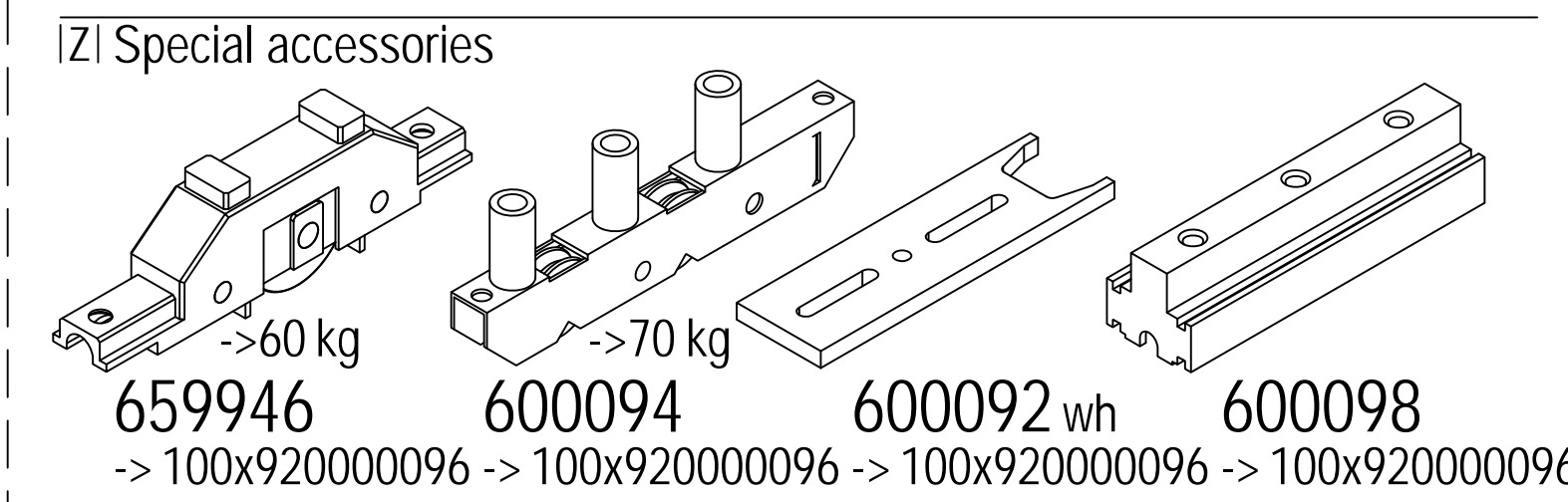
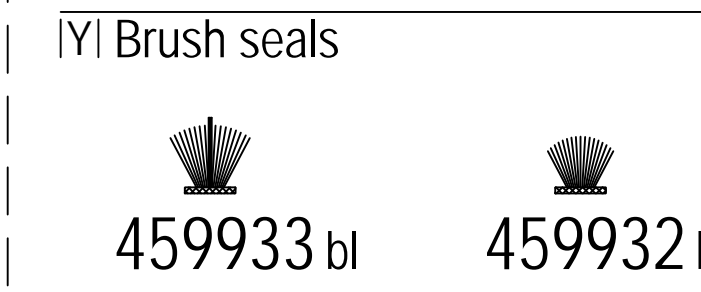
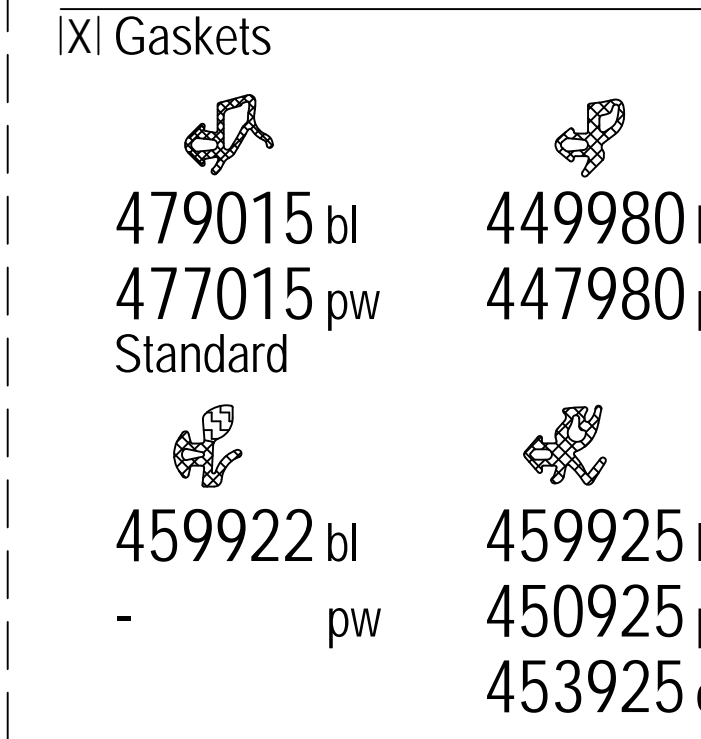
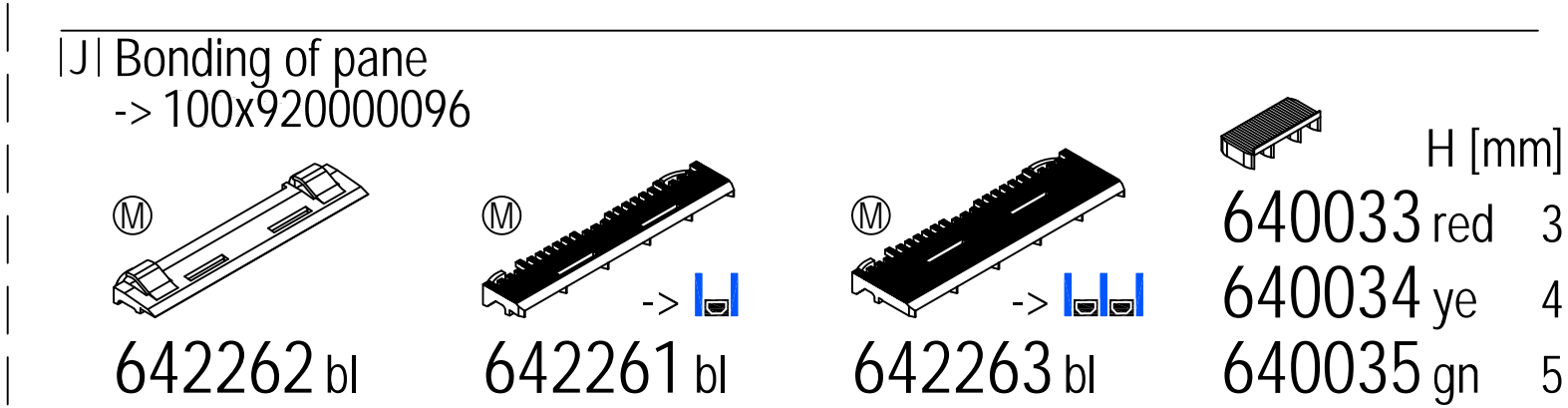
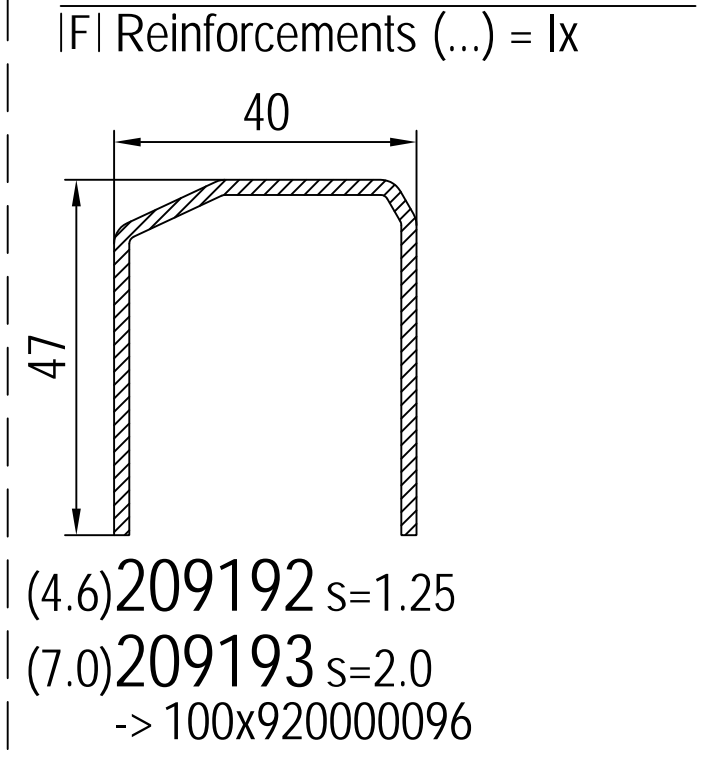
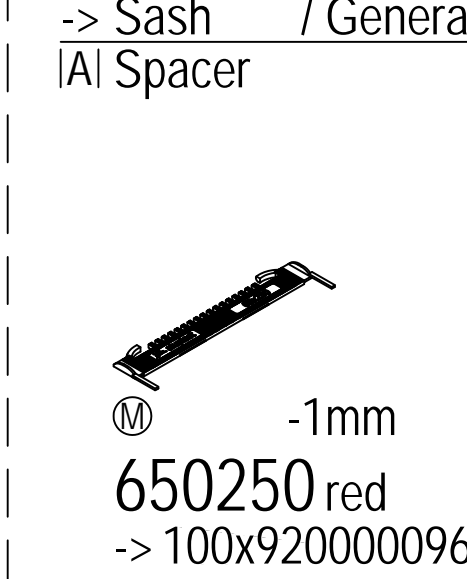
■ 100x92000096 (CL)(MEX)
IAI 650250 or IAI JI
IFI 209192, 209193
IJI 642261, 642262, 642263
ISI 200070
IZI 659946, 600094,
600092, 600098

Additional Profiles

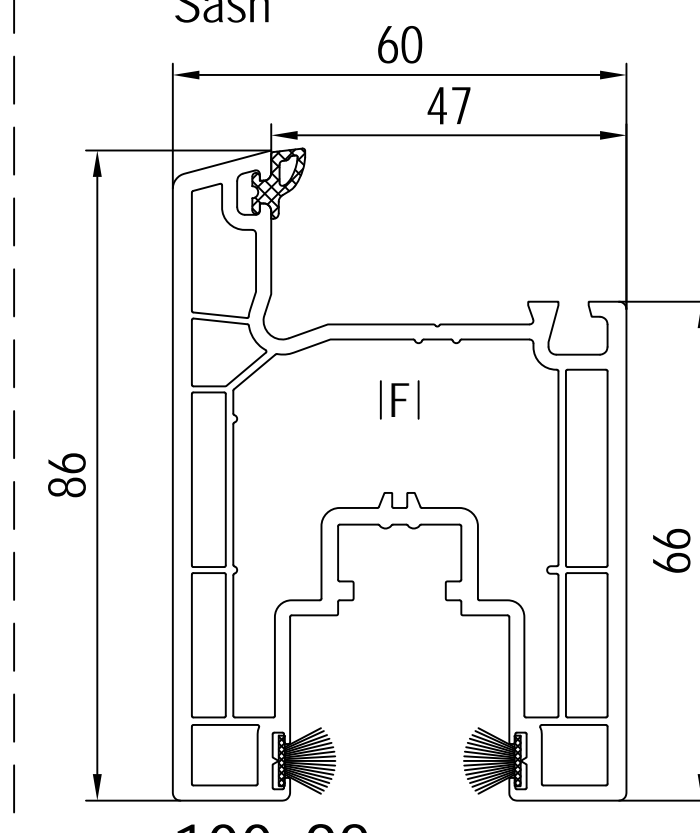


■ 100293
-> 100x920000096

Accessories

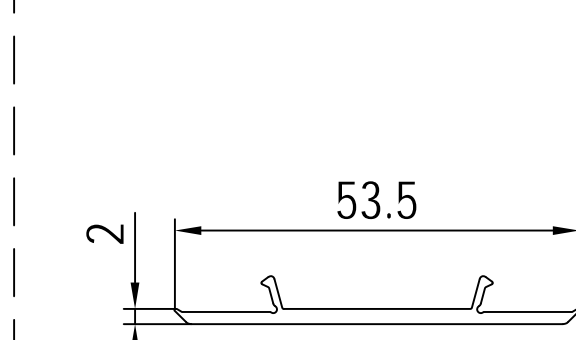


multi-slide



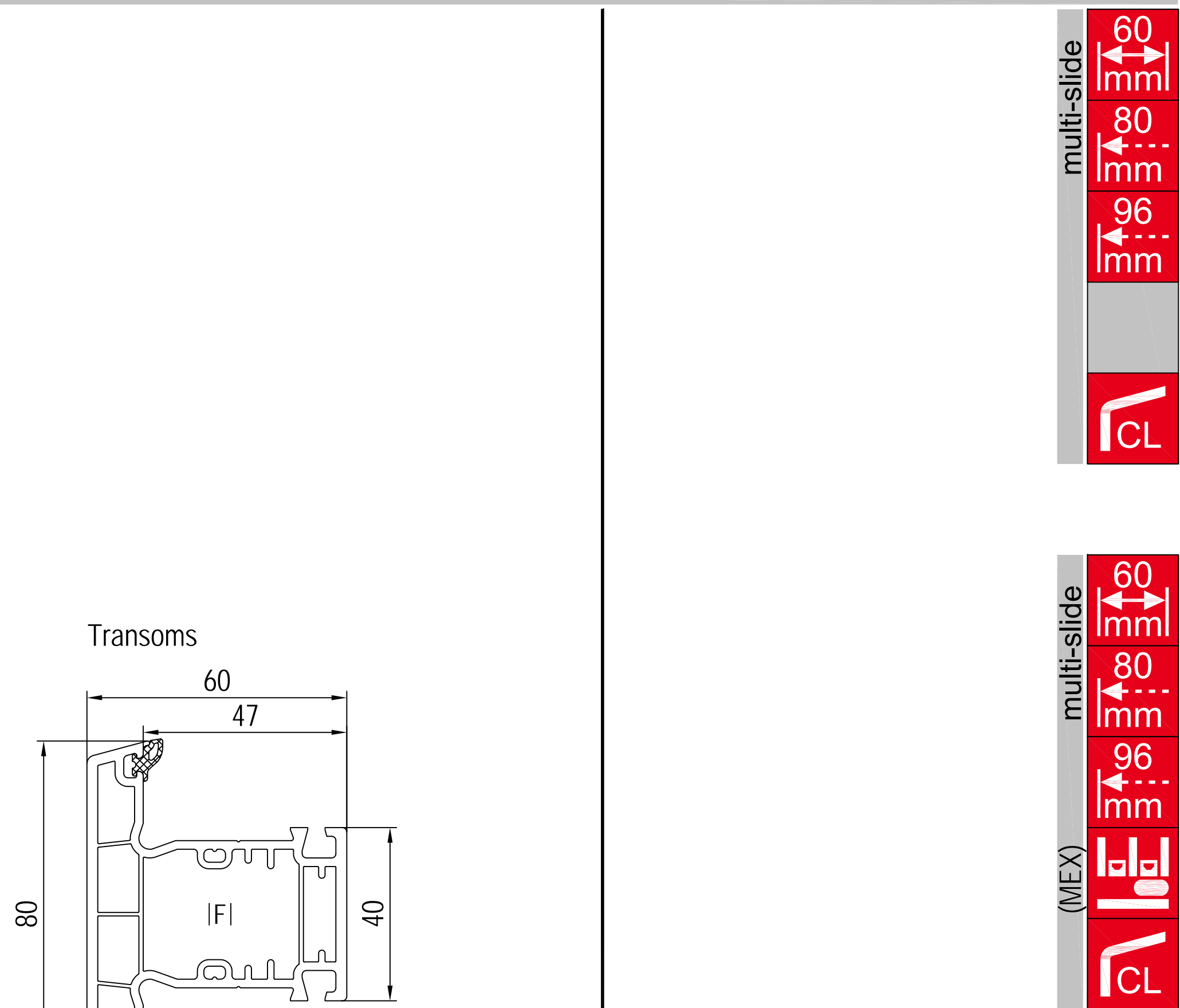
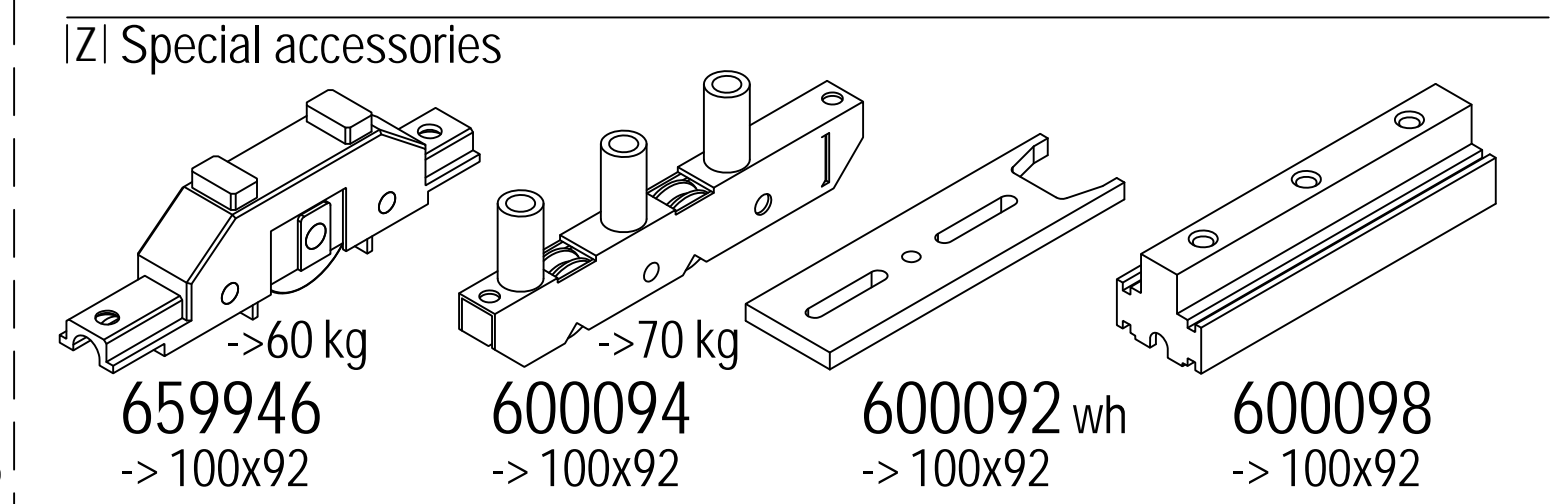
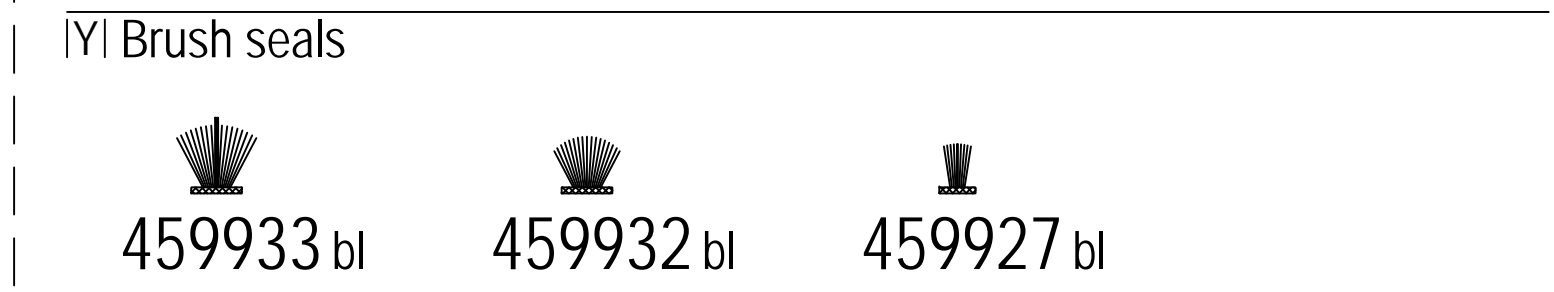
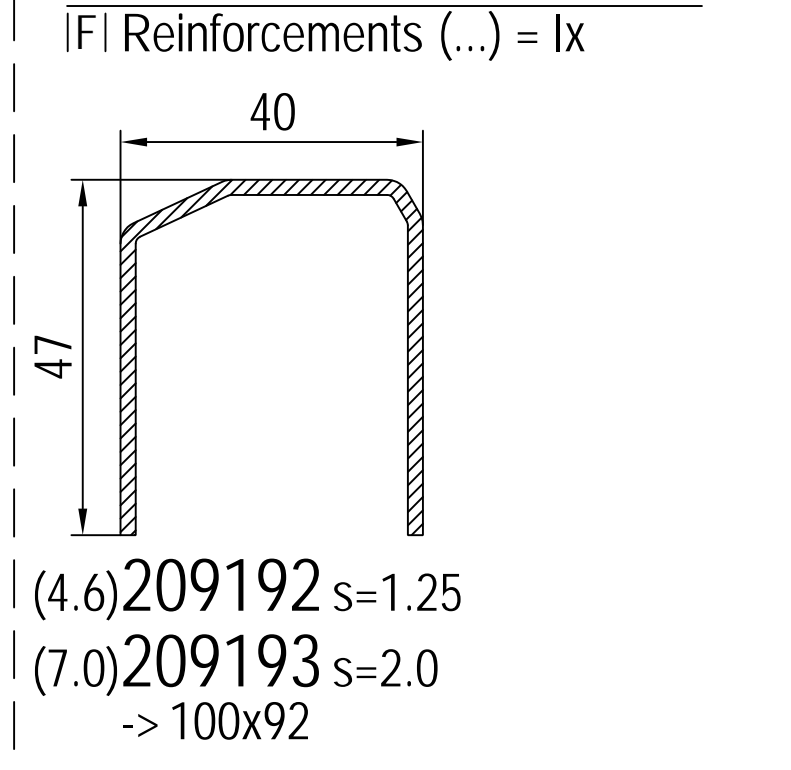
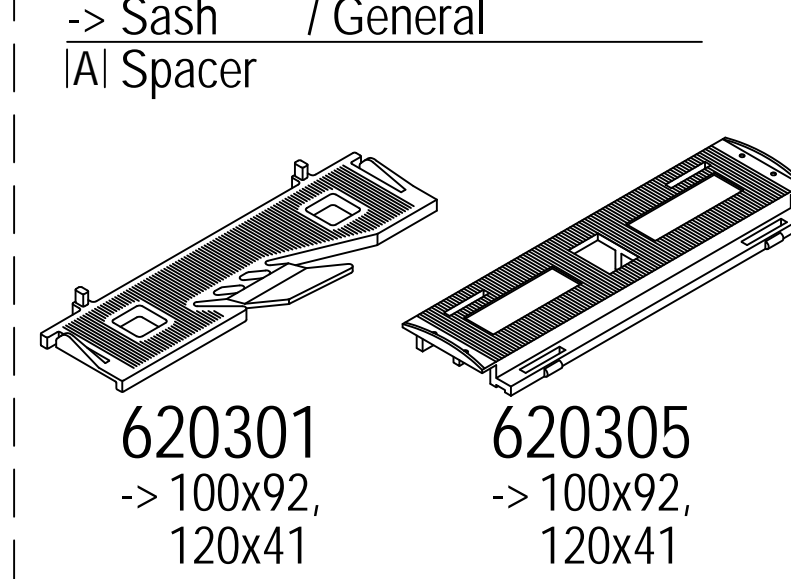
■ 100x92 (CL)
IAI 620301, 620305
IFI 209192, 209193
SI 200070
IZI 659946, 600094,
600092, 600098

Additional Profiles



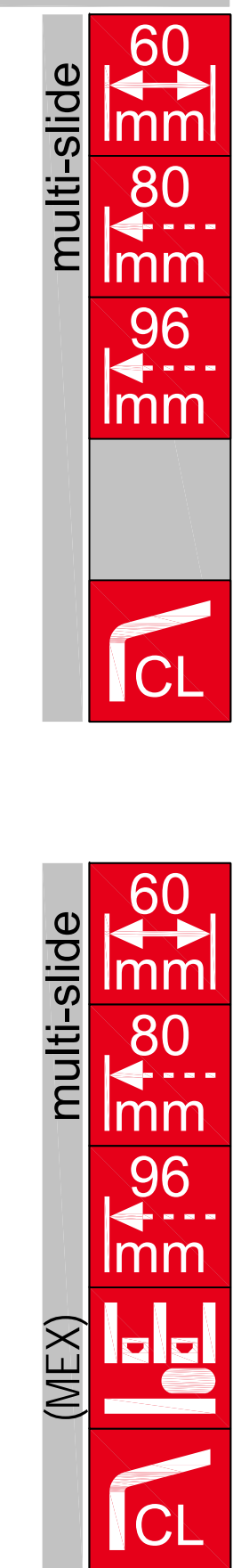
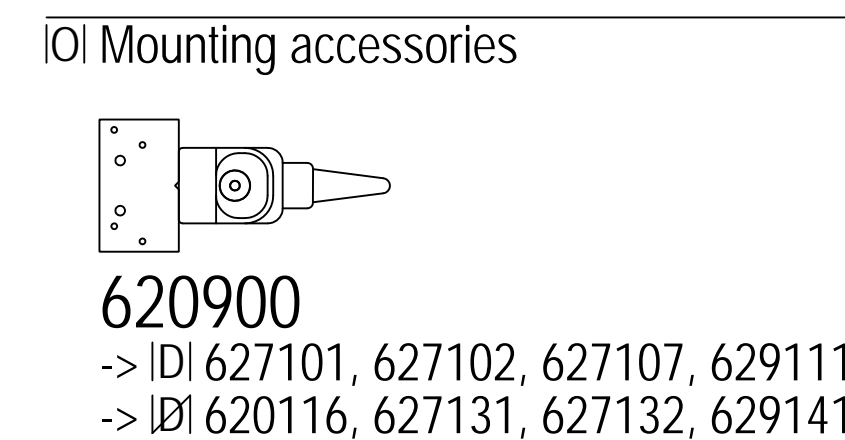
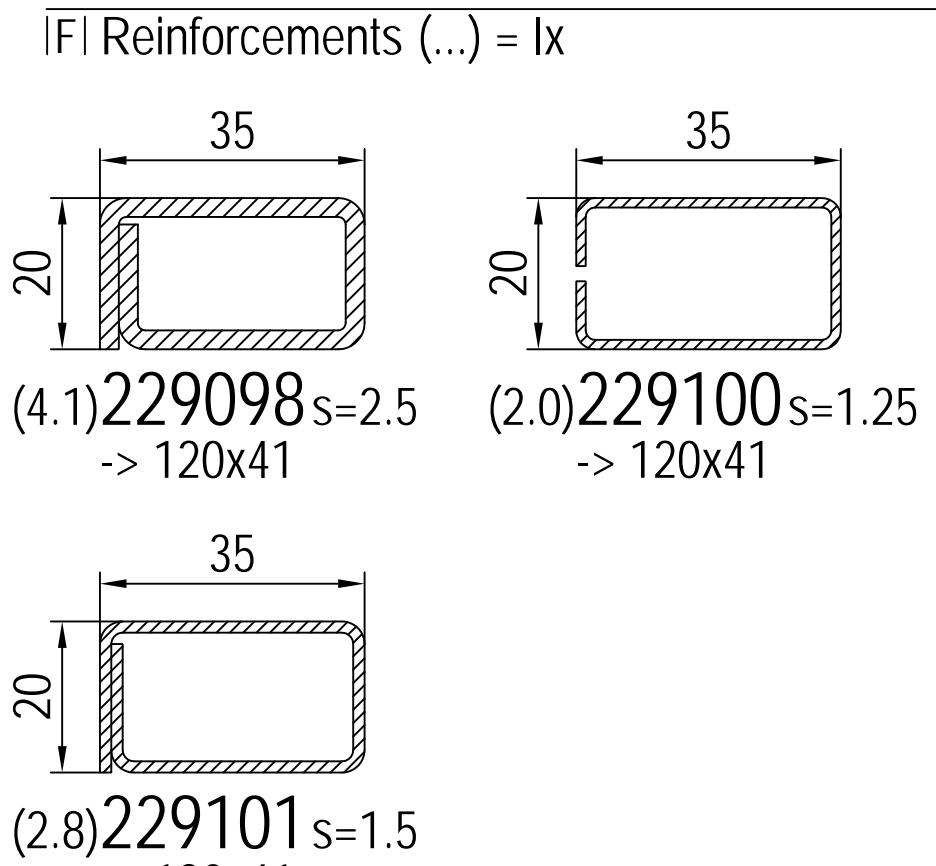
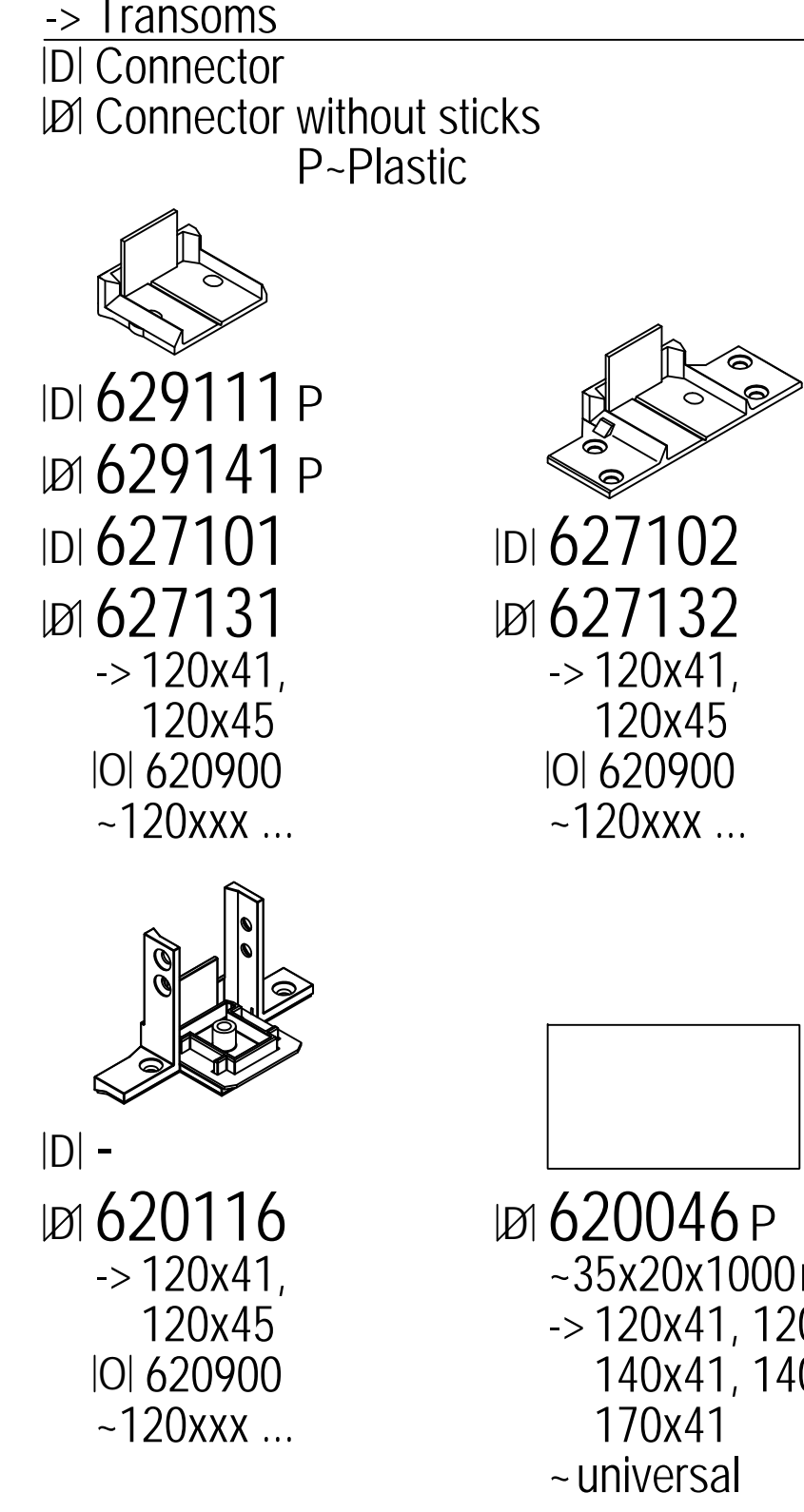
■ 100293
-> 100x92

Accessories

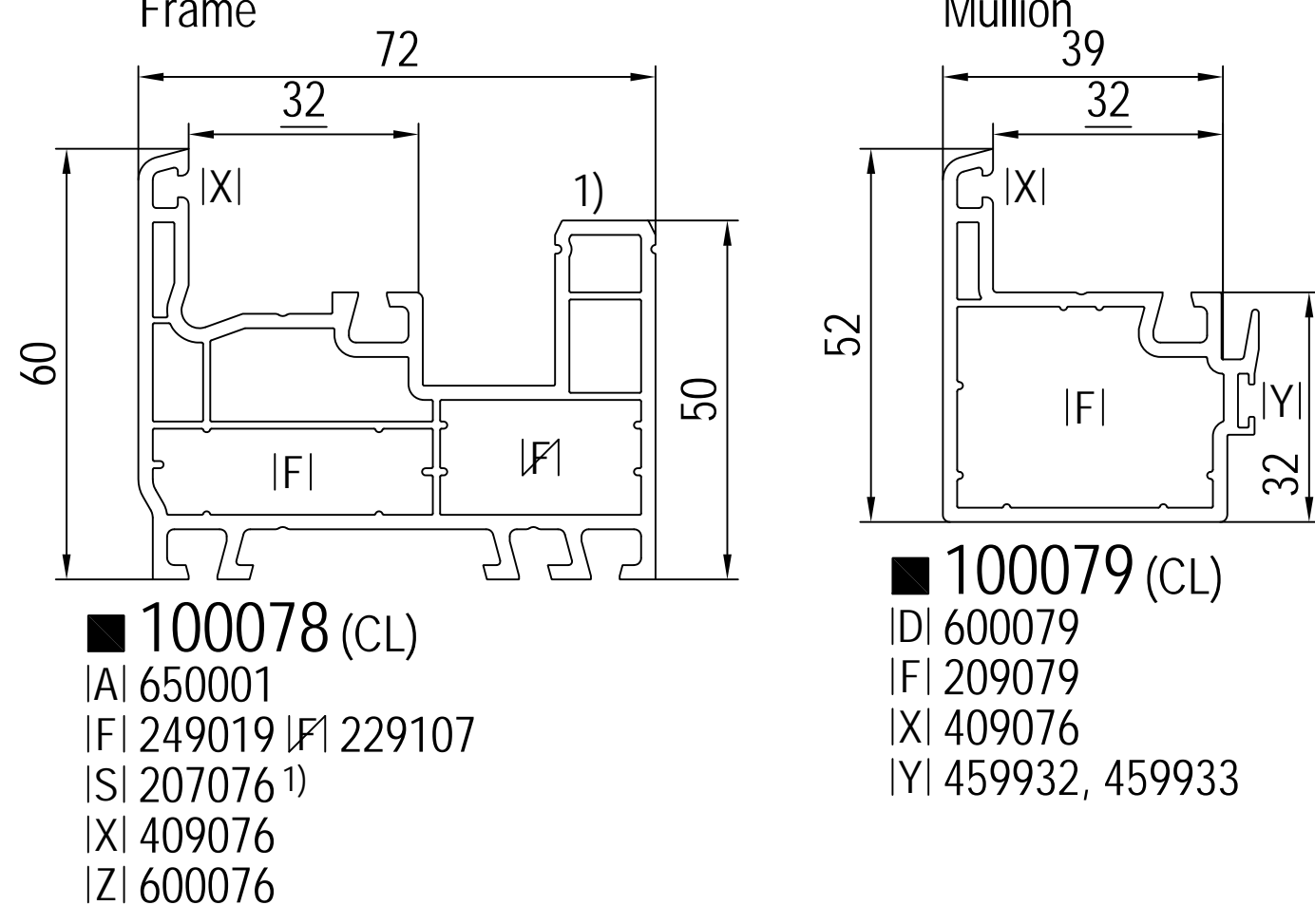


■ 120x41 (CL)
IAI 620301, 620305
IDI 629111, 627101, 627102
-120xxx ...
IJI 629141, 627131, 627132,
620116 -120xxx ...
IJI 620046 - universal
IFI 229098, 229100, 229101

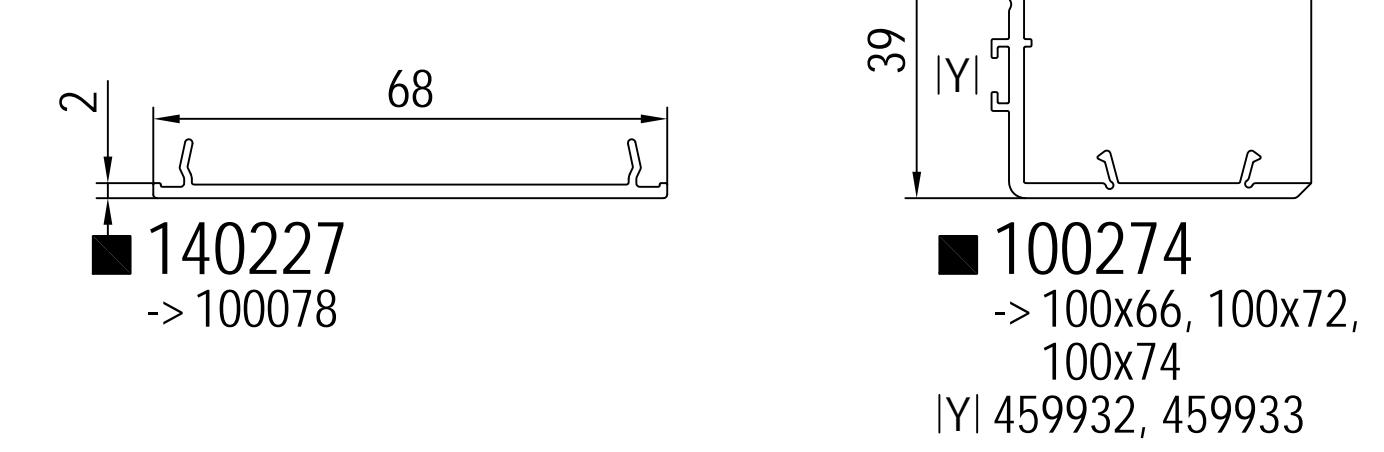
Accessories



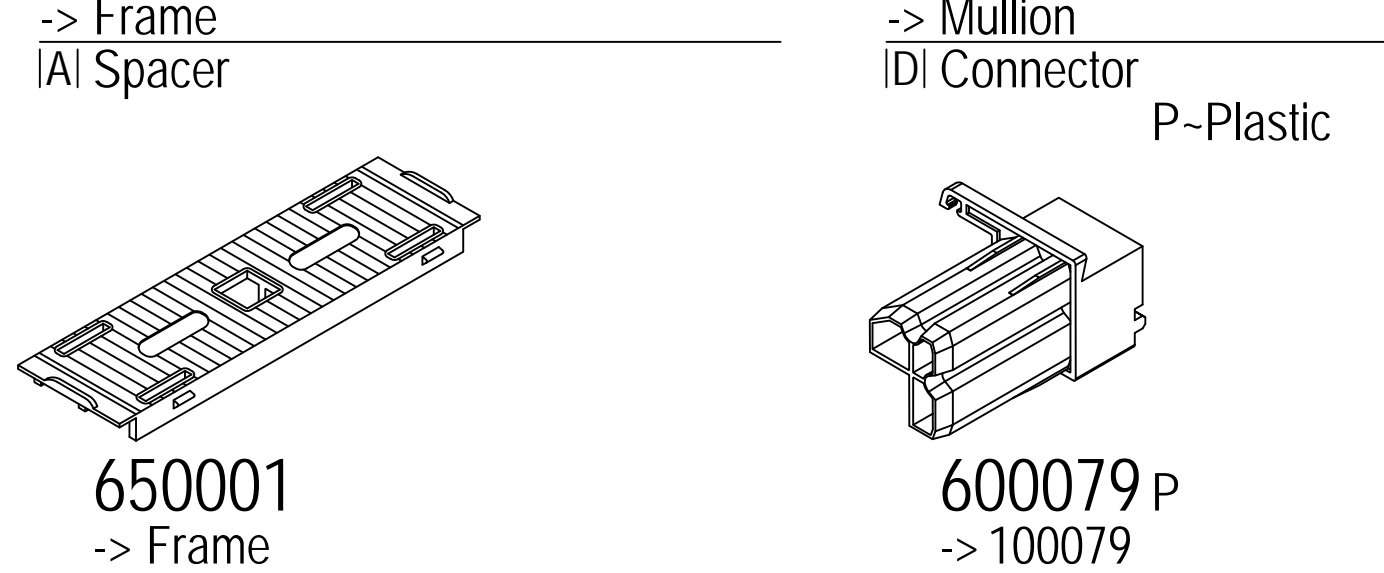
easy-slide



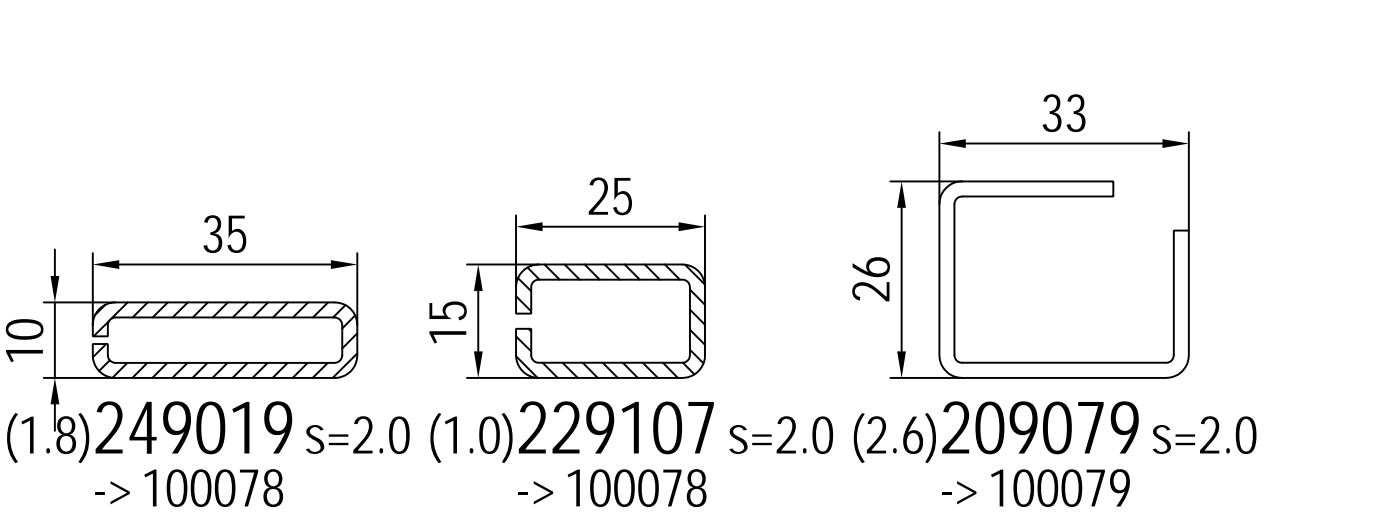
Additional Profiles



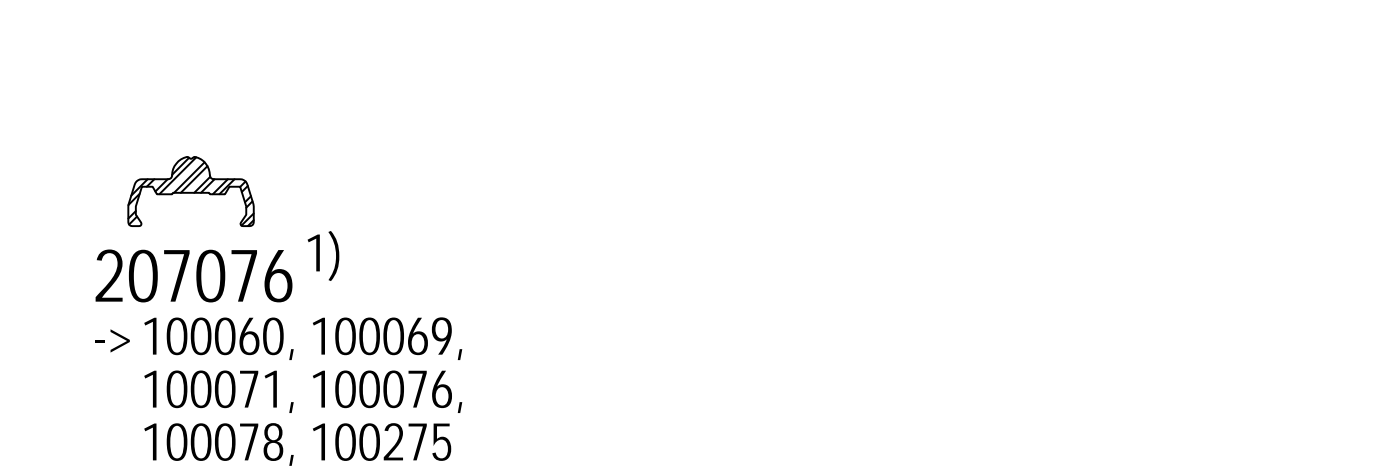
Accessories



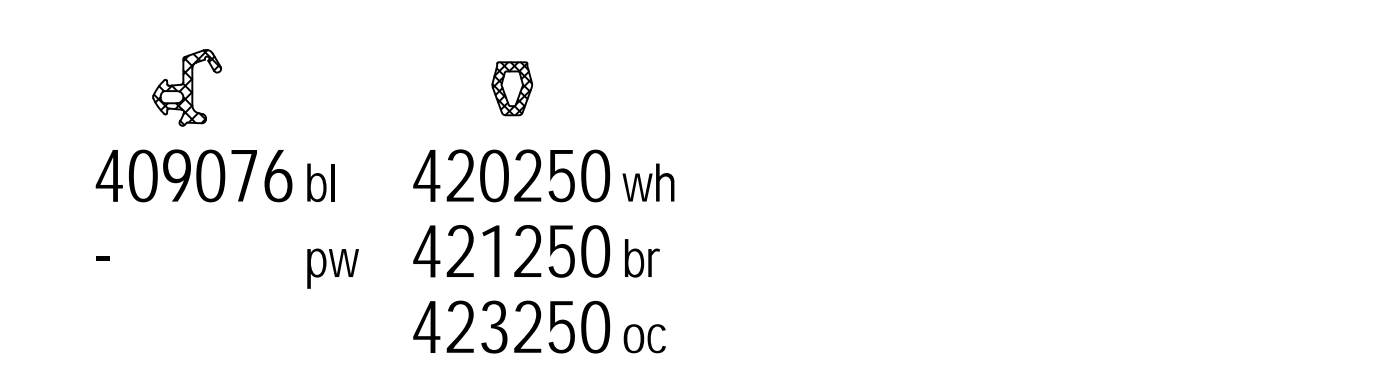
IFi Reinforcements (...)= Ix



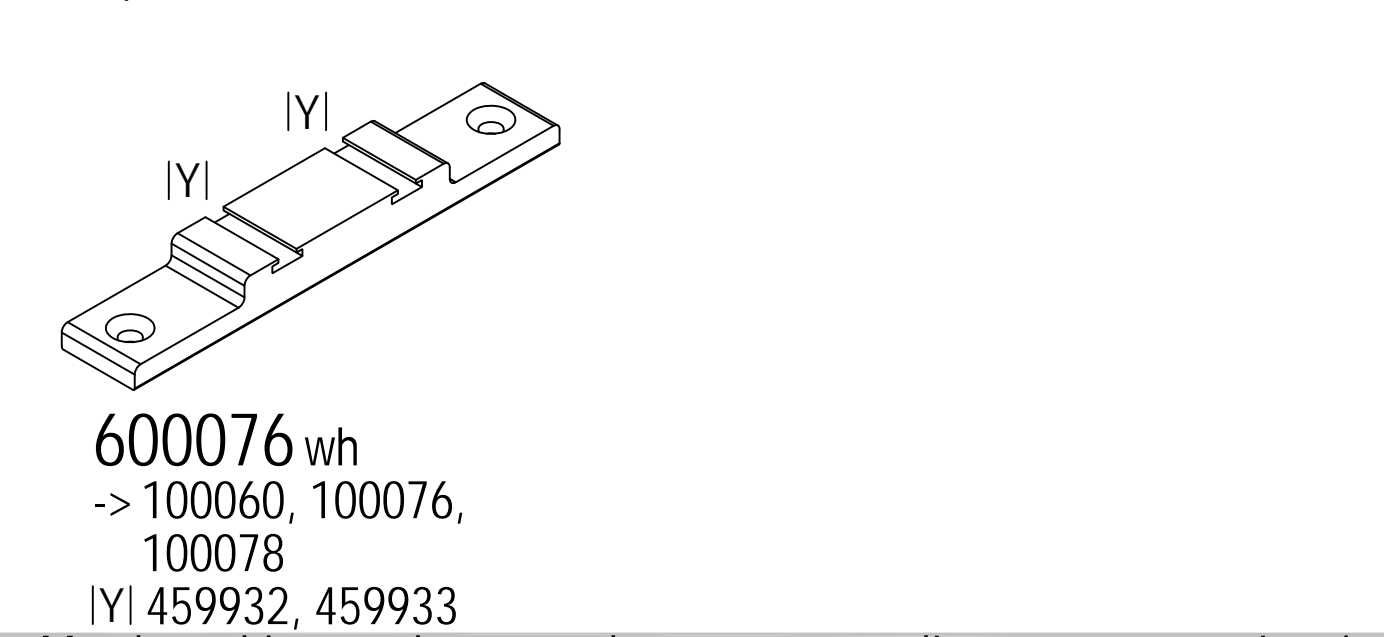
ISI Aluminium profiles



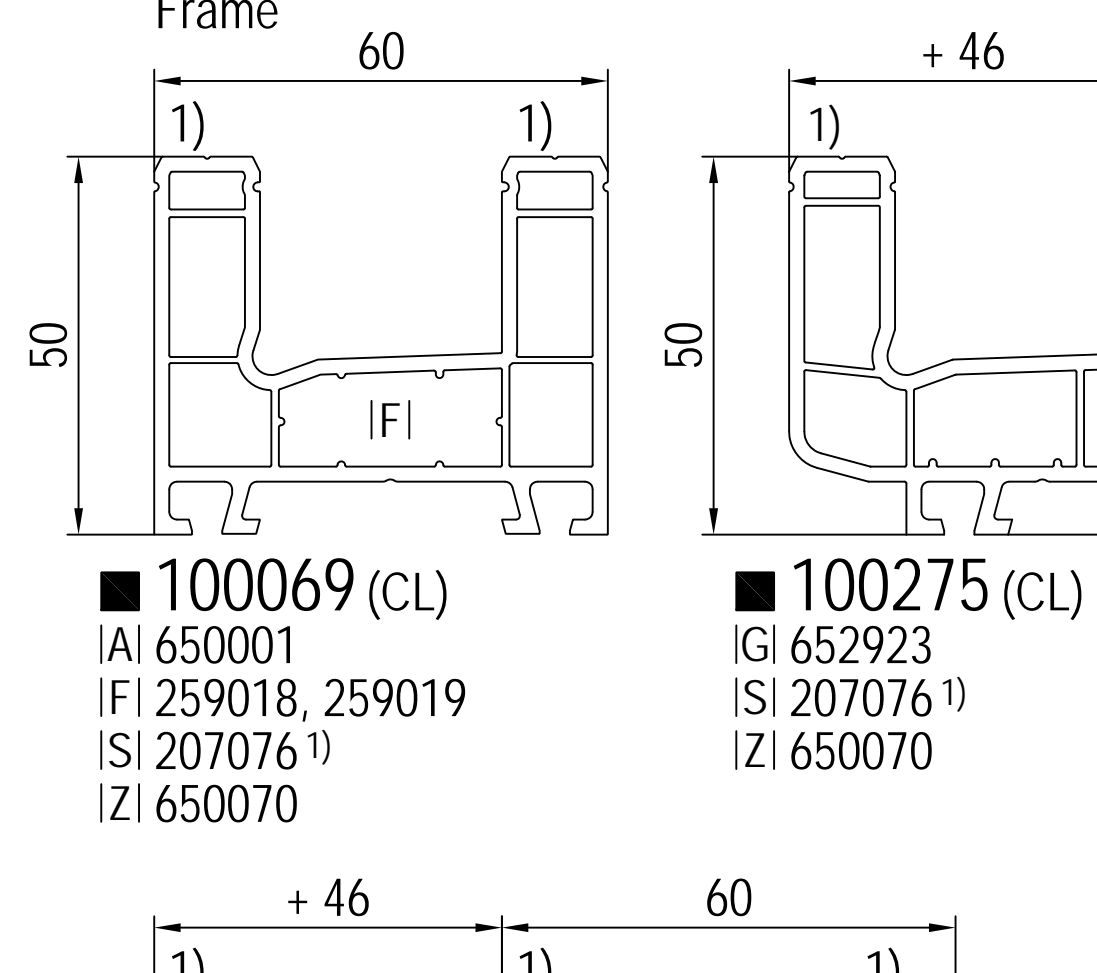
IXI Gaskets



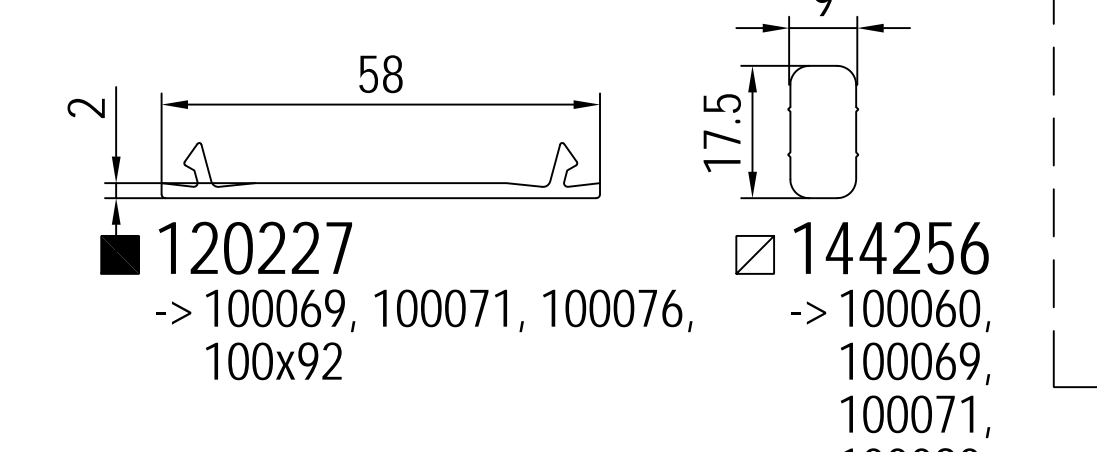
IZI Special accessories



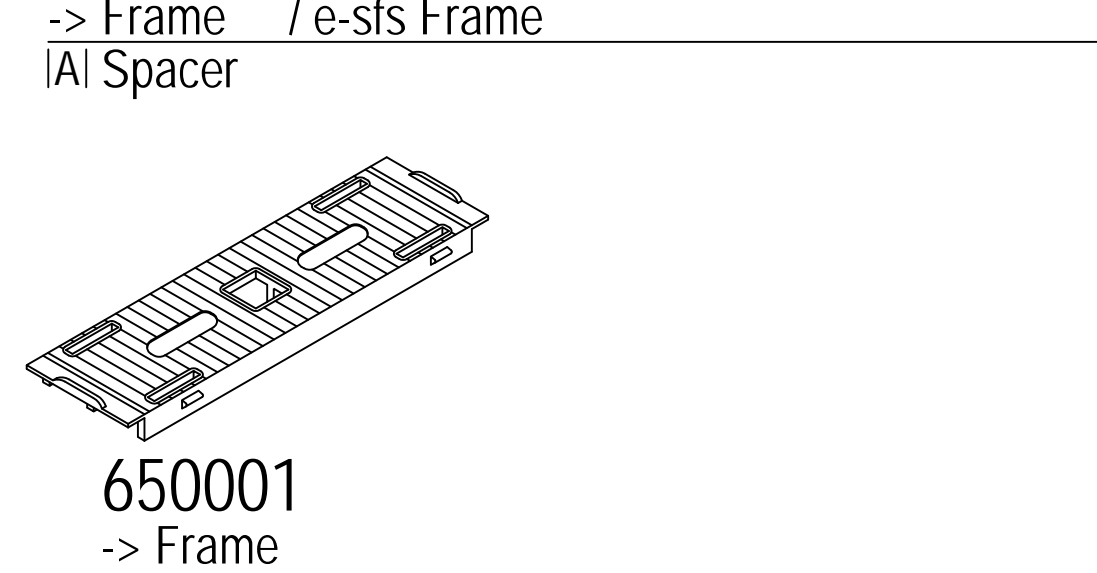
easy-slide



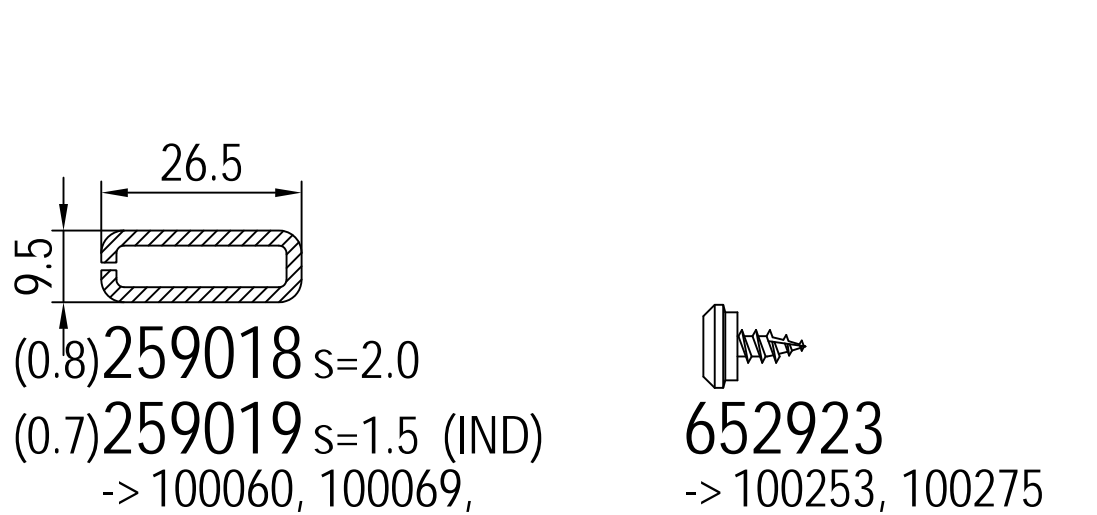
Additional Profiles



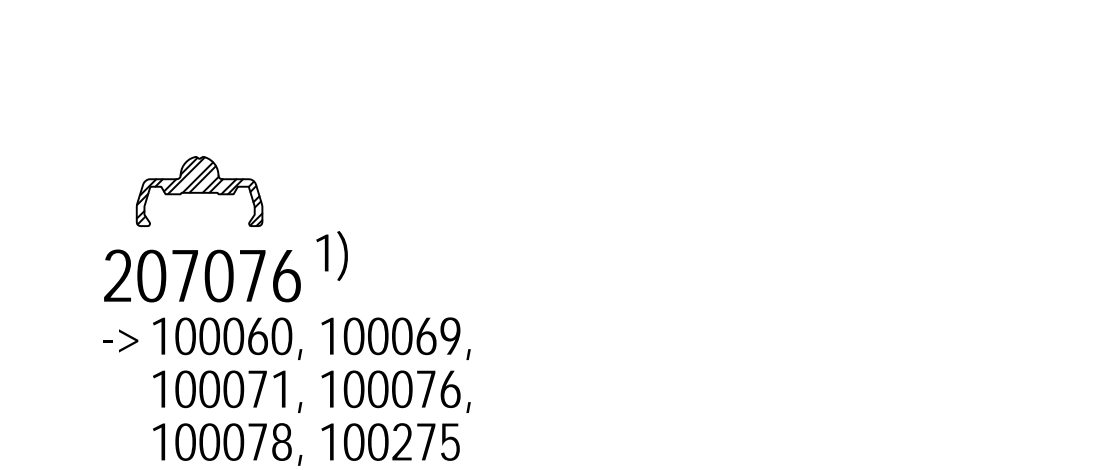
Accessories



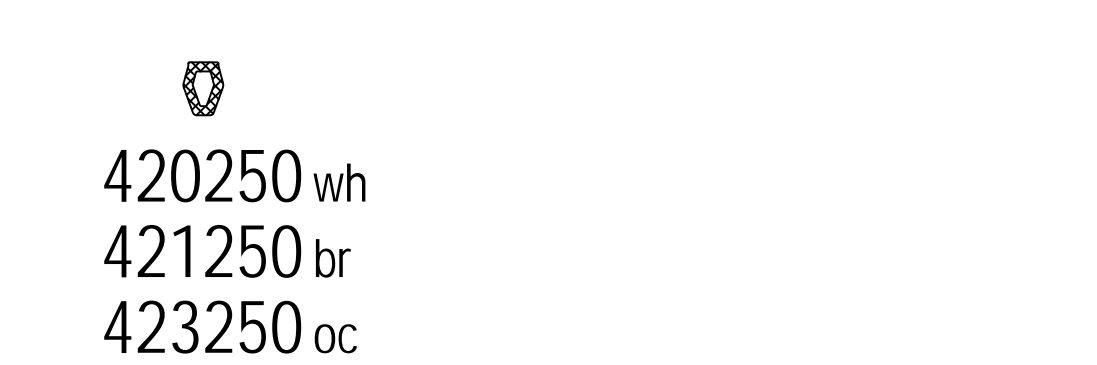
IFi Reinforcements (...)= Ix



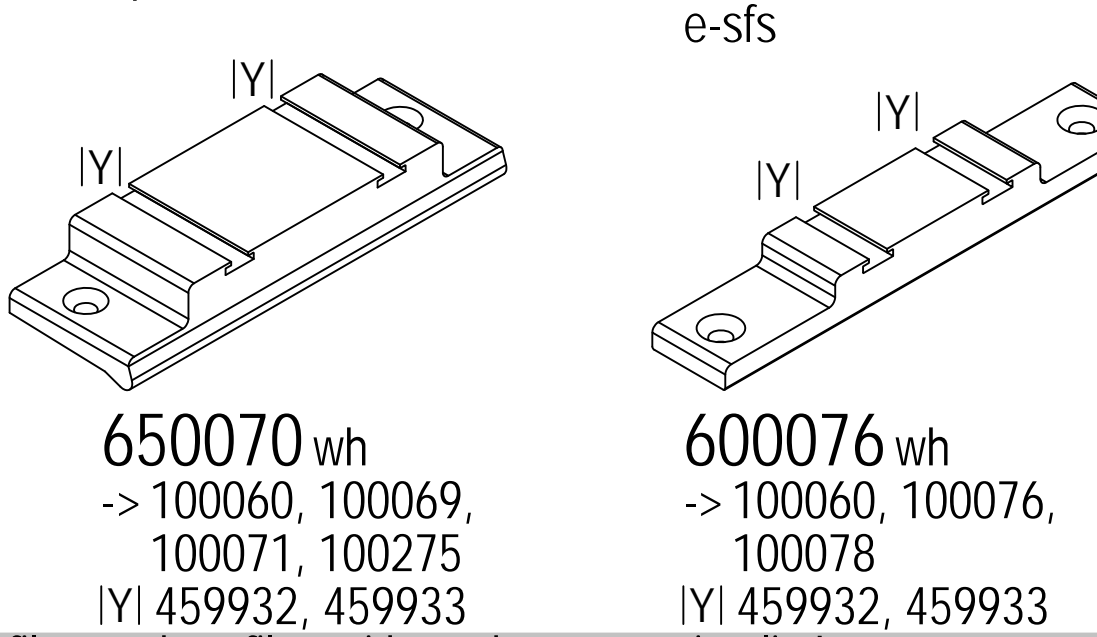
ISI Aluminium profiles



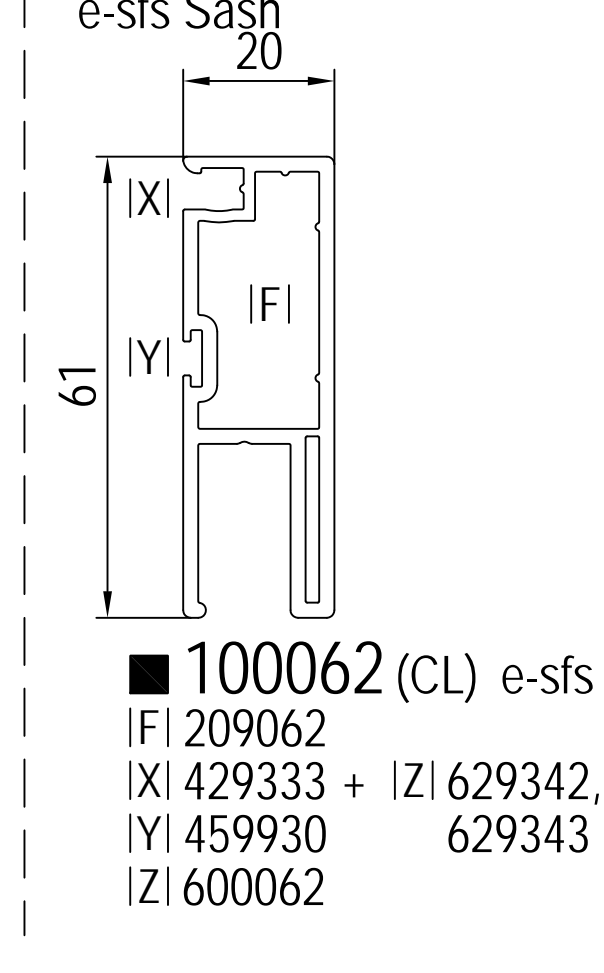
IXI Gaskets



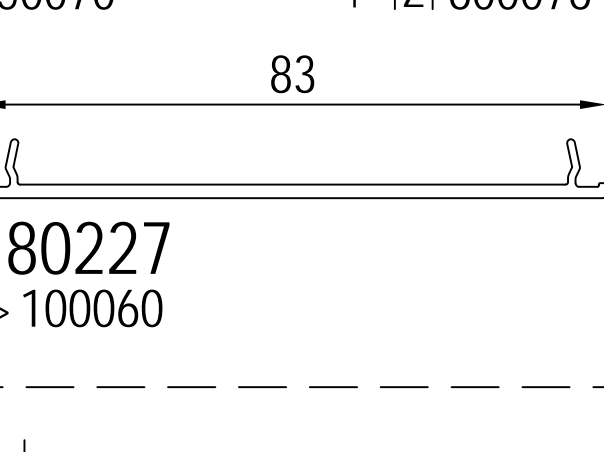
IZI Special accessories



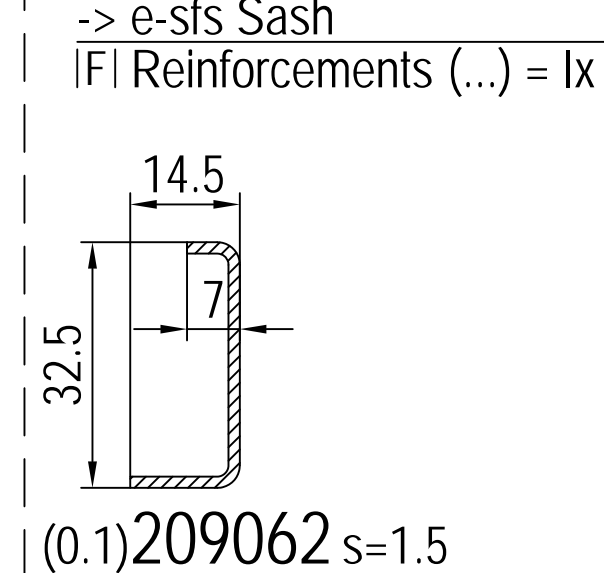
easy-slide fly screen



Additional Profiles



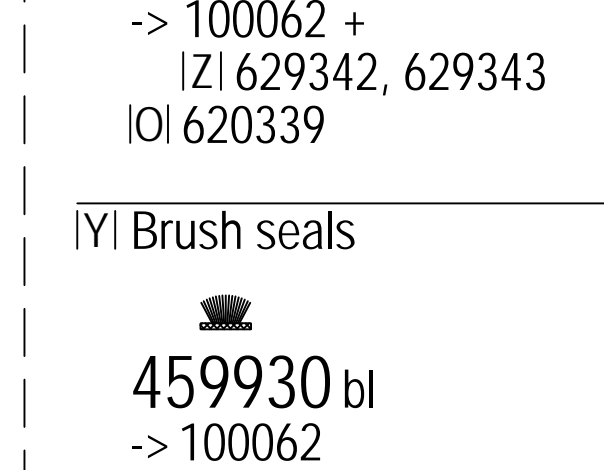
Accessories



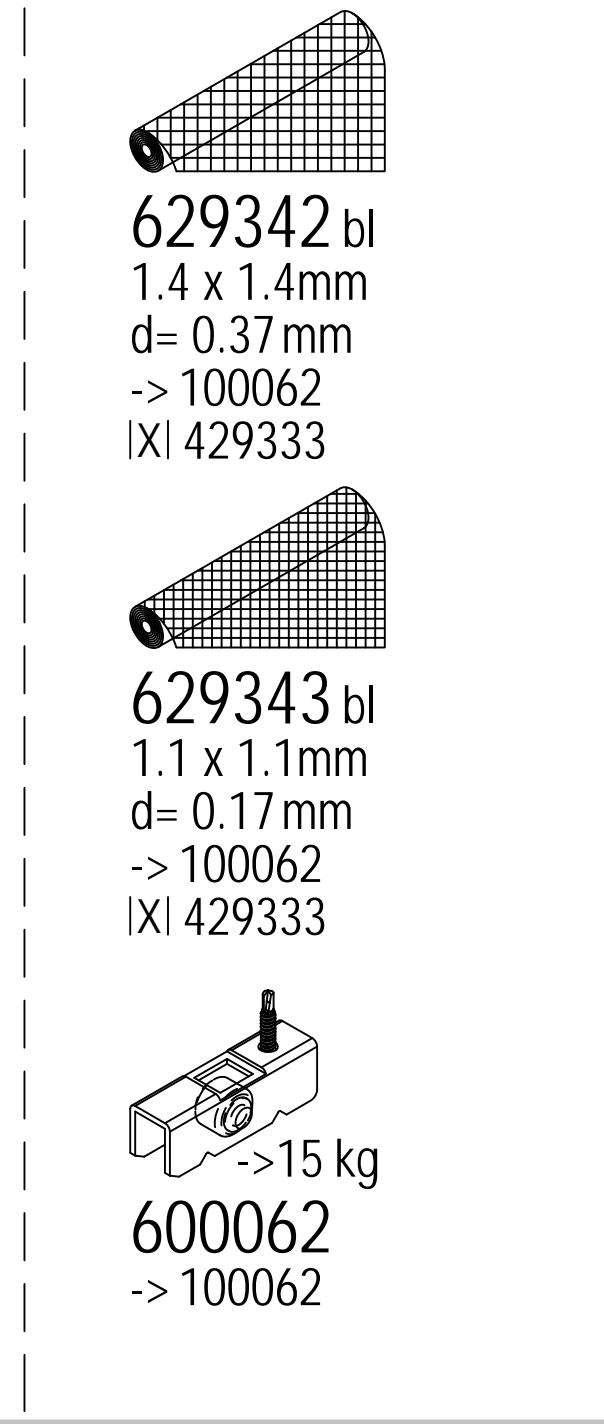
IOI Mounting accessories



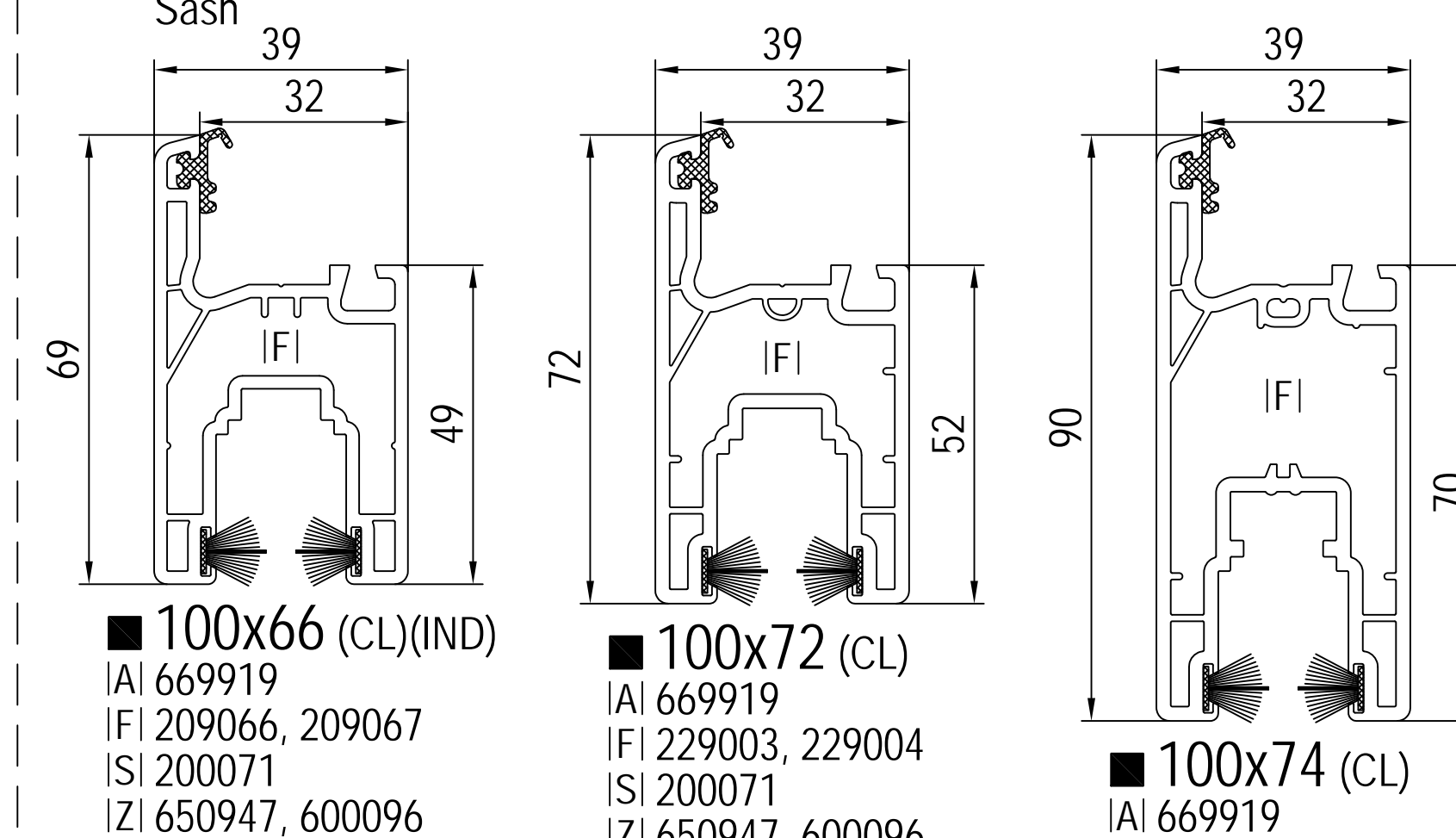
IXI Gaskets



IZI Special accessories



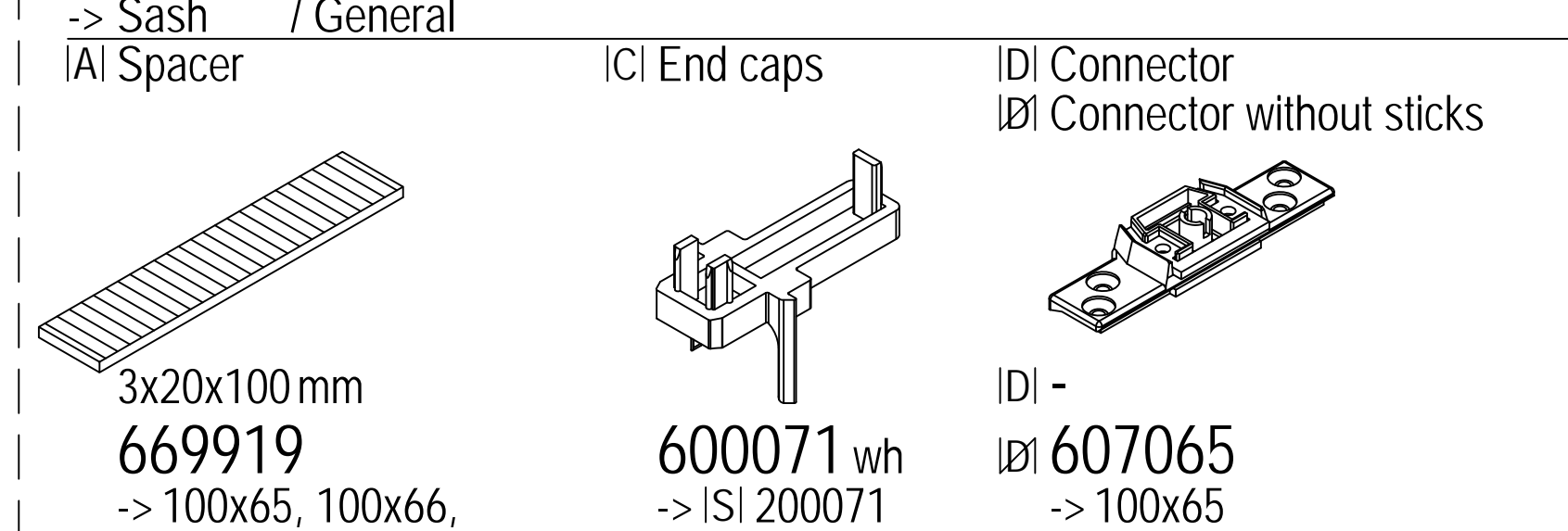
easy-slide



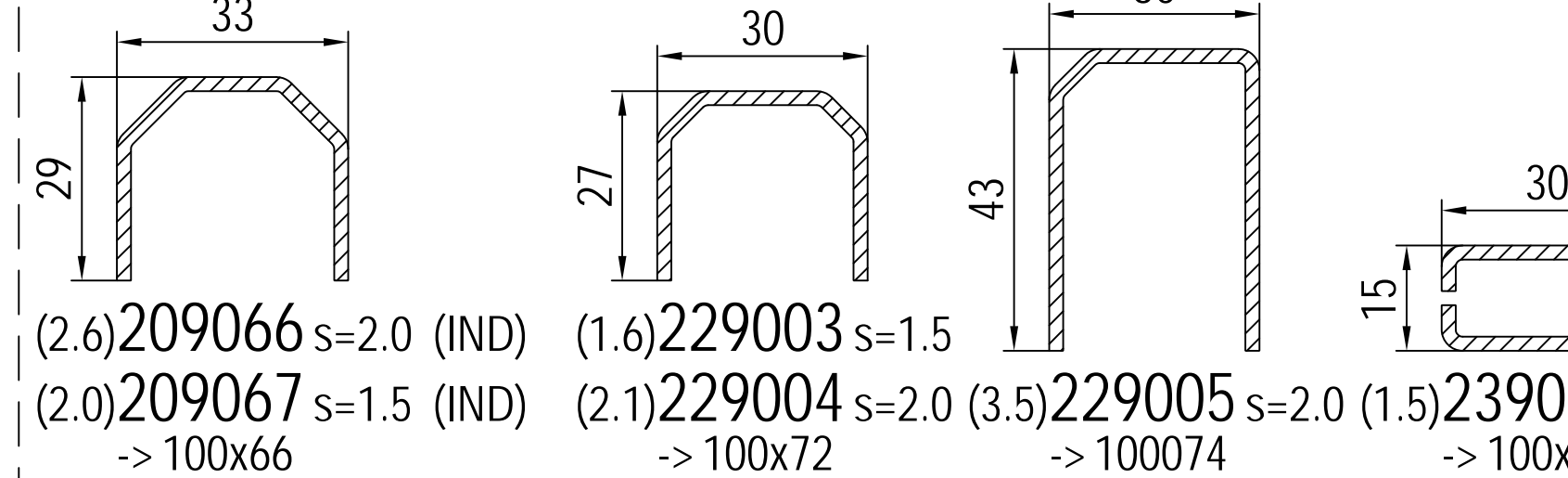
Additional Profiles



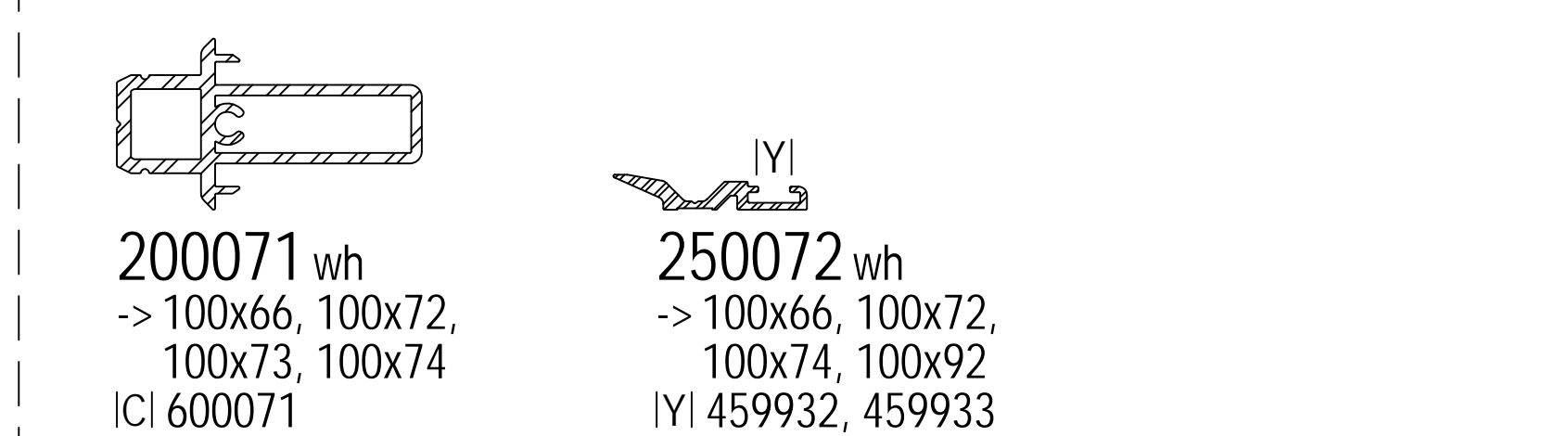
Accessories



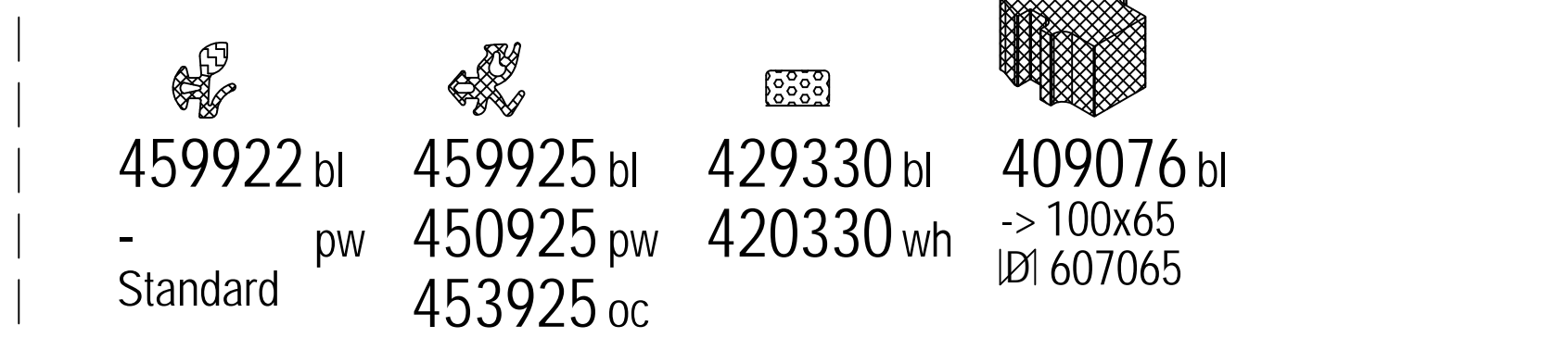
IFi Reinforcements (...)= Ix



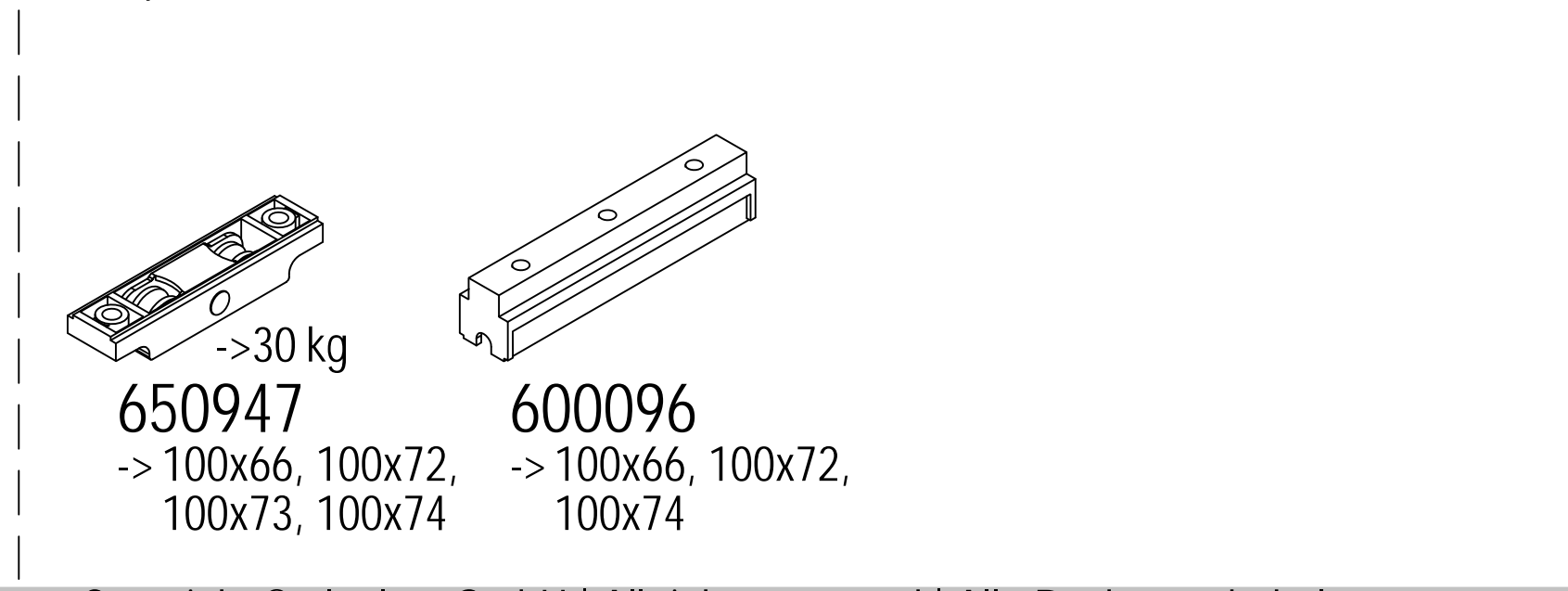
ISI Aluminium profiles



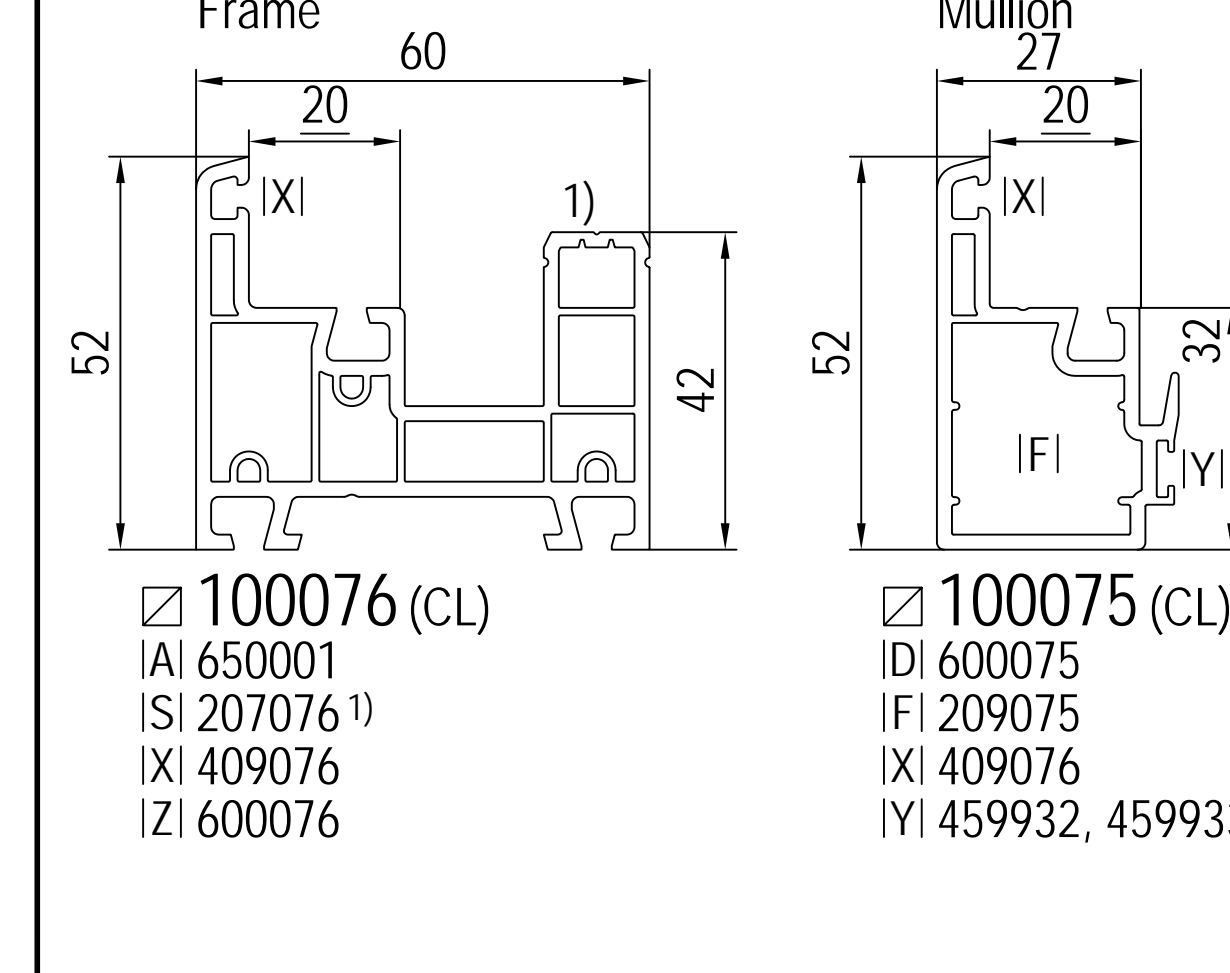
IXI Gaskets



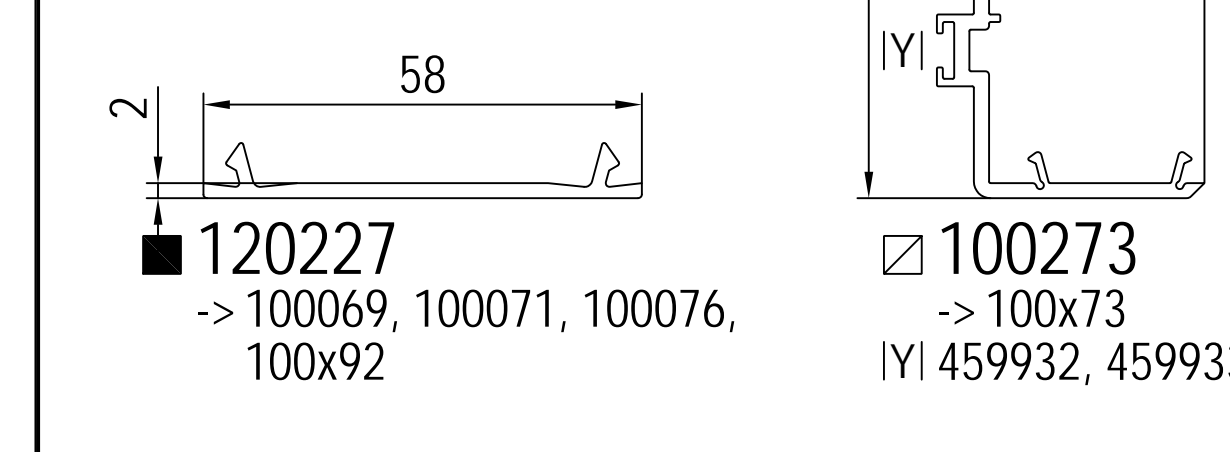
IZI Special accessories



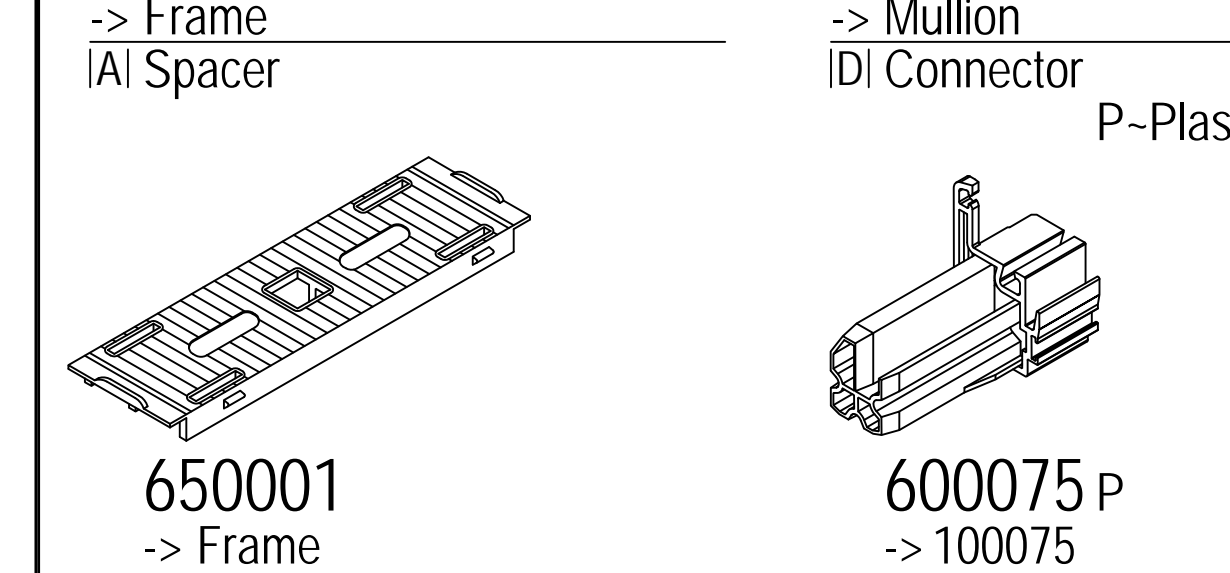
mono-slide



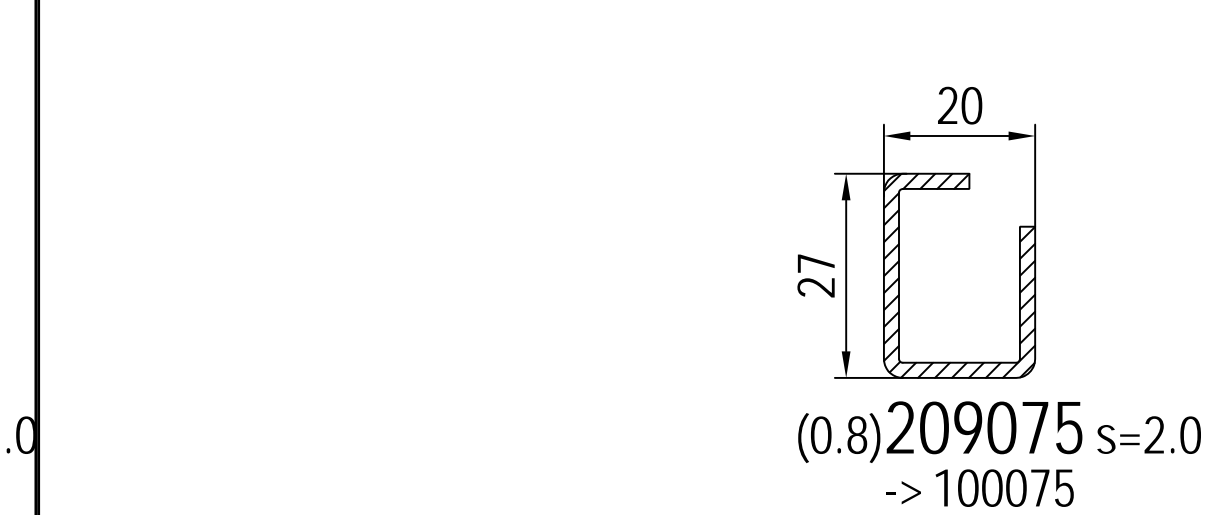
Additional Profiles



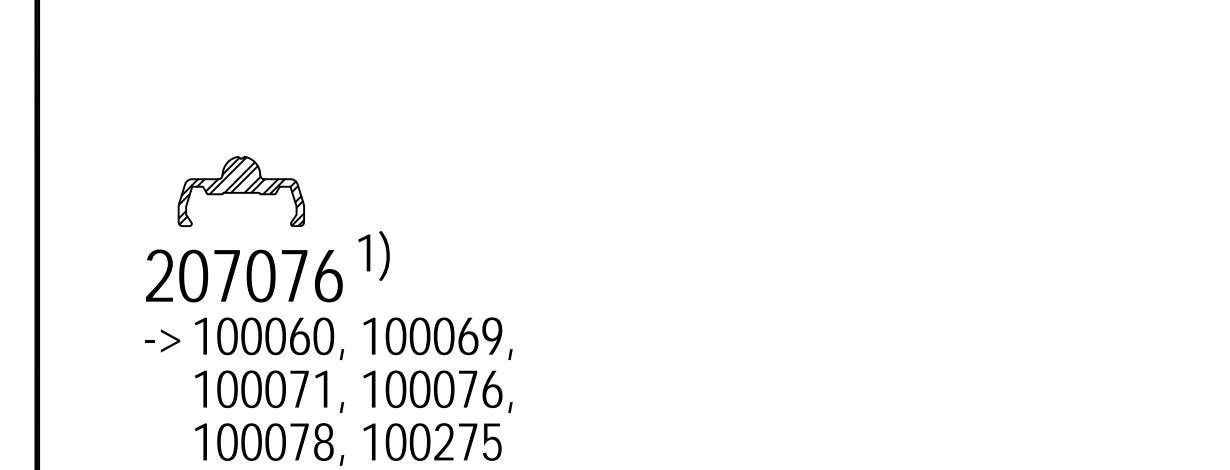
Accessories



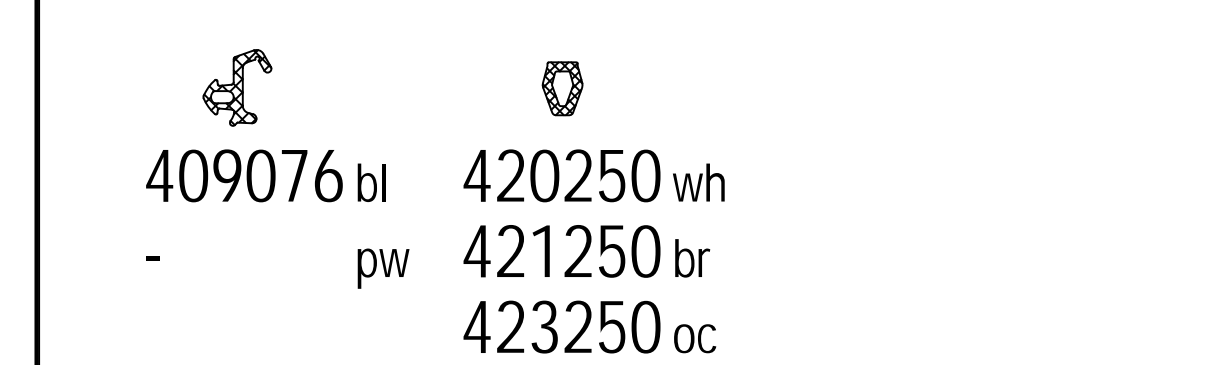
IFi Reinforcements (...)= Ix



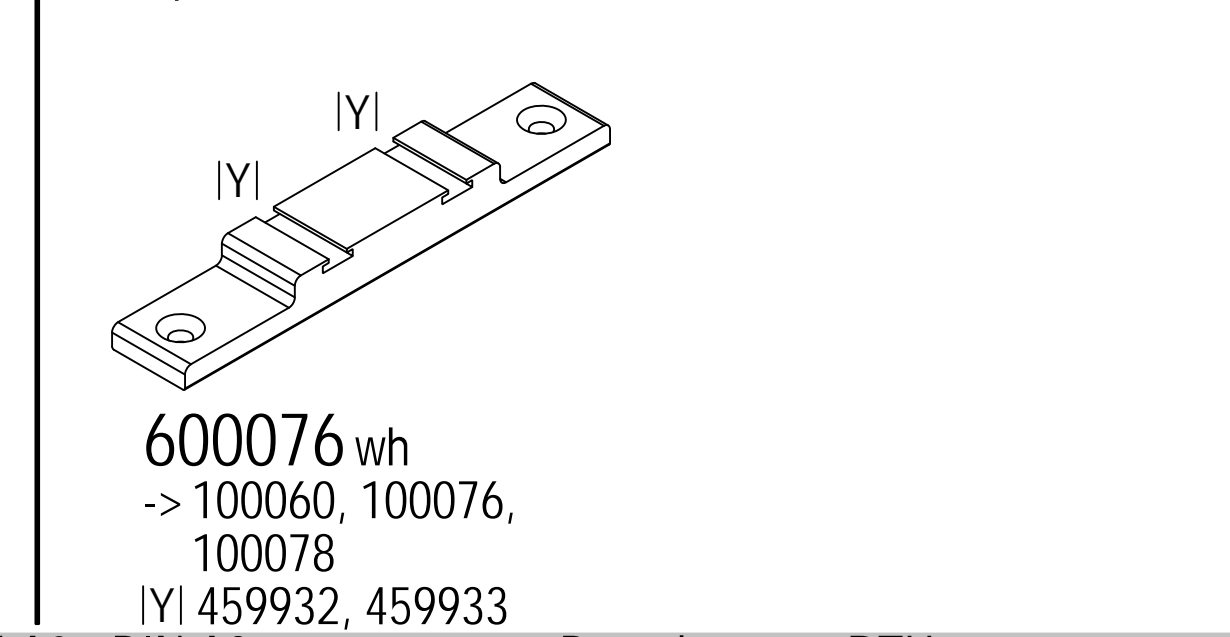
ISI Aluminium profiles



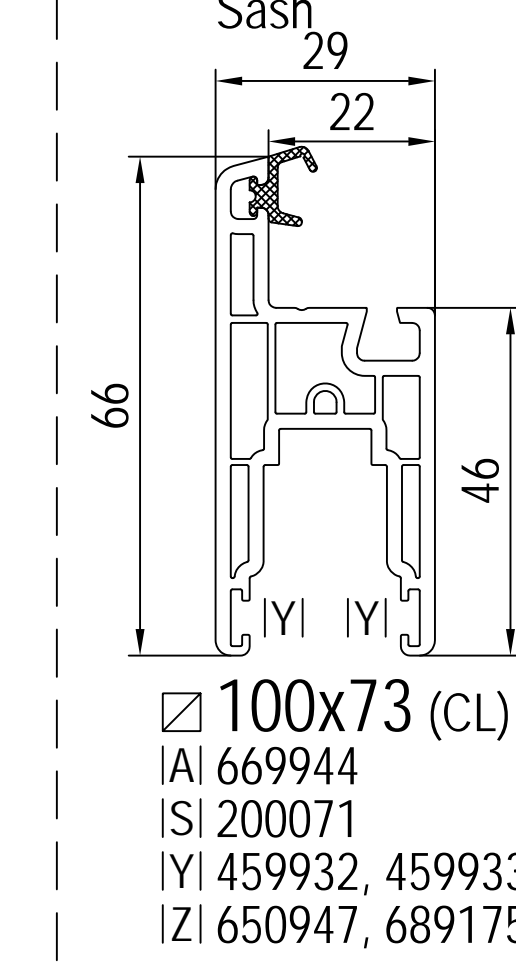
IXI Gaskets



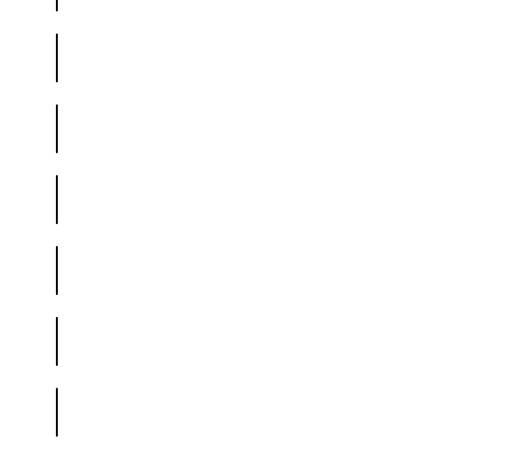
IZI Special accessories



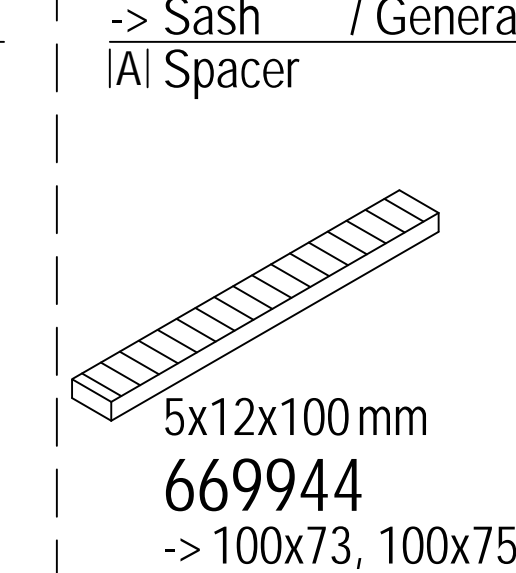
mono-slide



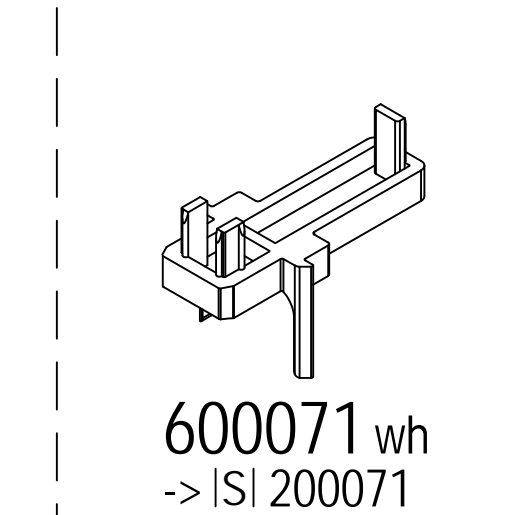
Additional Profiles



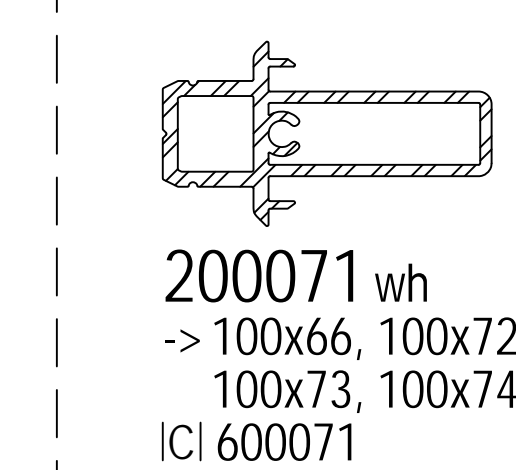
Accessories



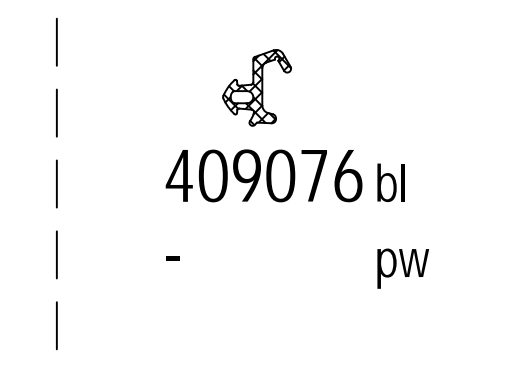
ICI End caps



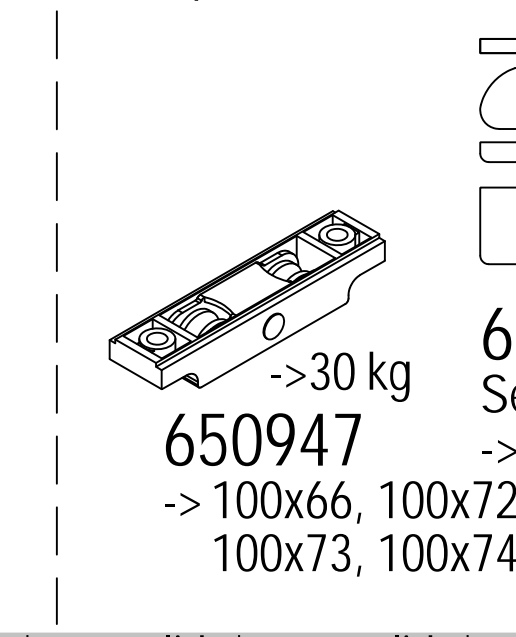
ISI Aluminium profiles



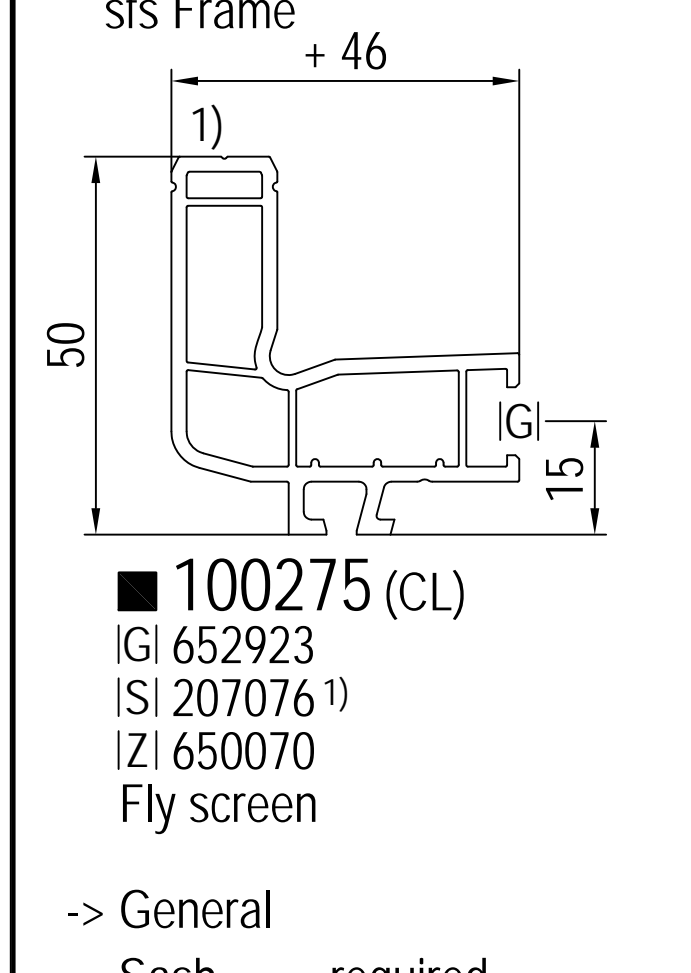
IXI Gaskets



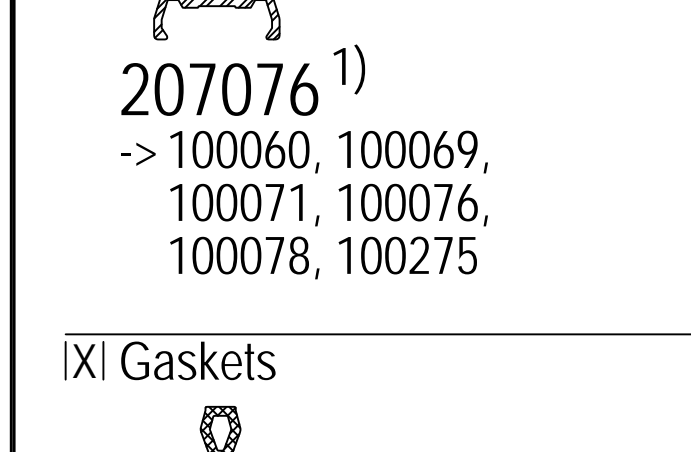
IZI Special accessories



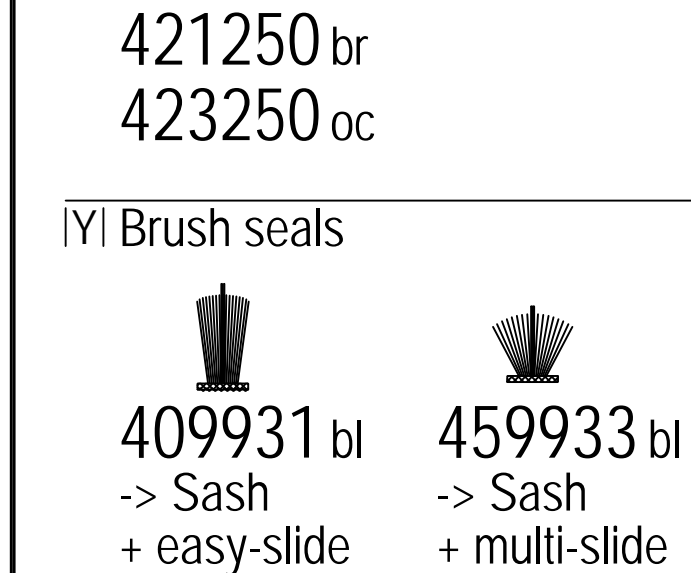
sliding fly screen



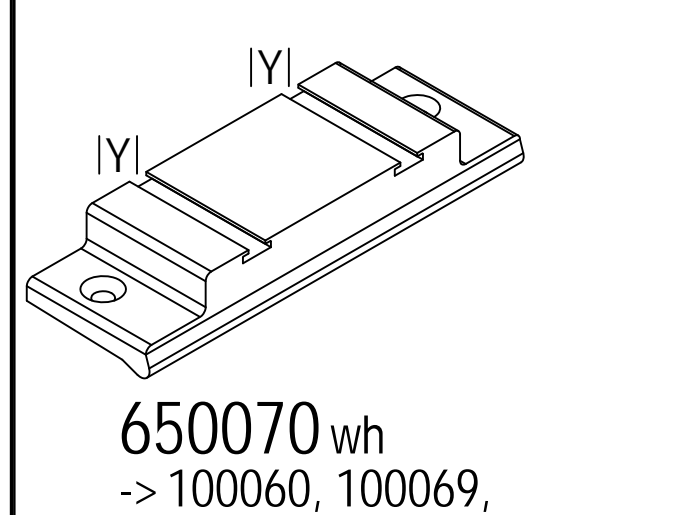
Additional Profiles



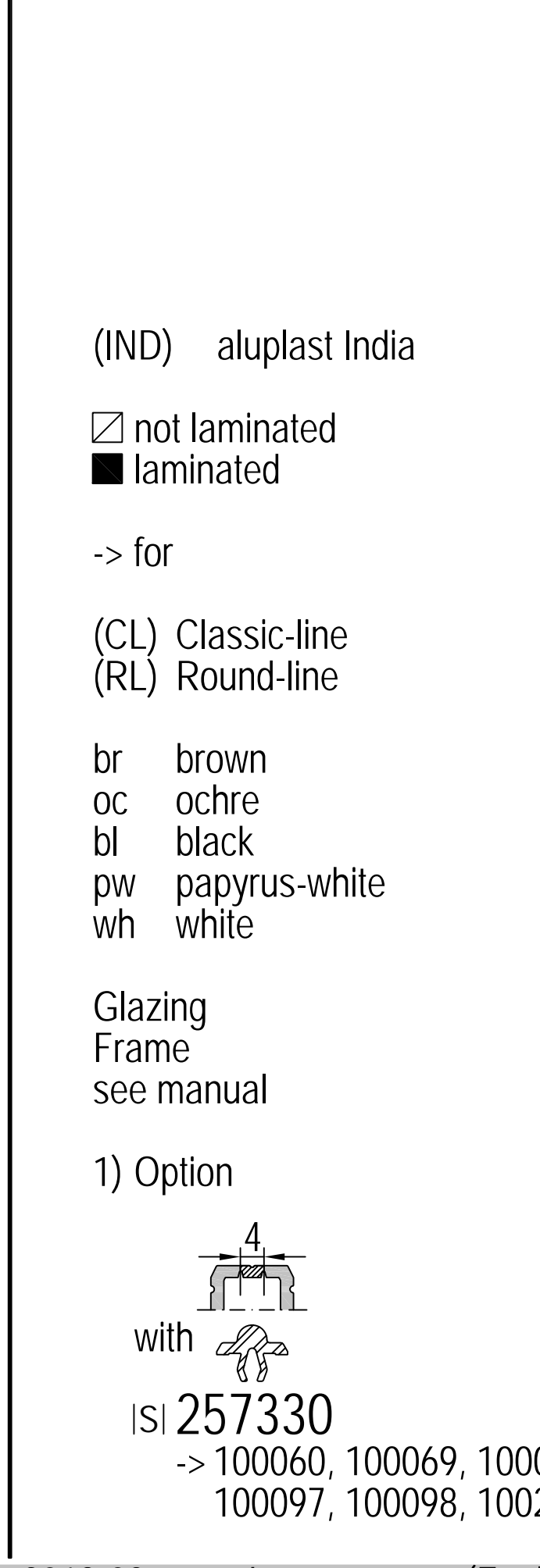
Accessories



IXI Gaskets

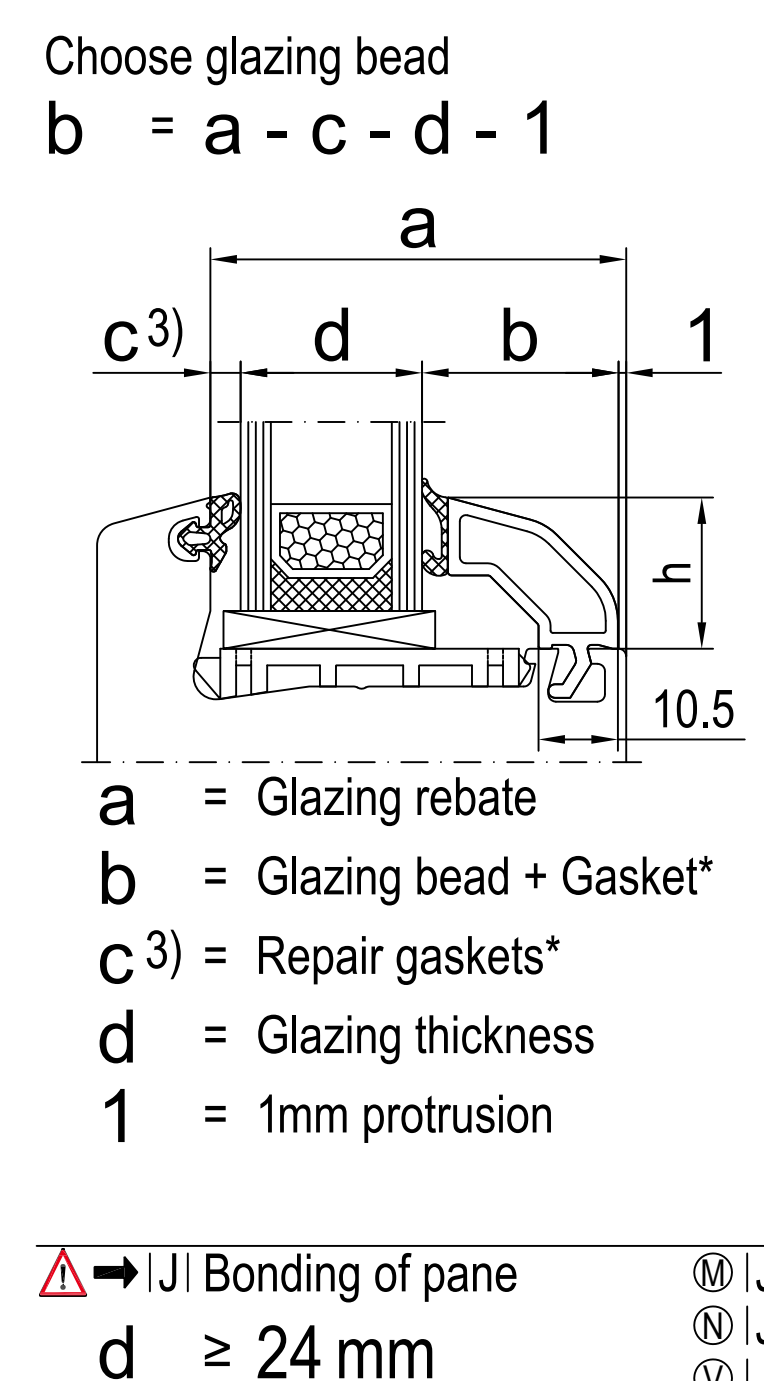


IZI Special accessories



a	e.g. Profile serial	c ³⁾	d	Glazing thickness																						
85mm	IDEAL 7000 + 16mm + 4mm protrusion	->170x39		38 - 39mm	40 - 41mm	42 - 43mm	44 - 45mm	46 - 47mm	48 - 49mm	50 - 51mm	52 - 53mm	54 - 55mm	56 - 57mm	58 - 59mm	60 - 61mm	62 - 63mm	64 - 65mm	66 - 67mm	68 - 69mm	70 - 71mm	72 - 73mm	74 - 75mm	38-75 [mm]			
81mm	IDEAL 7000 + 16mm + 0mm protrusion	->170x39		34 - 35mm	36 - 37mm	38 - 39mm	40 - 41mm	42 - 43mm	44 - 45mm	46 - 47mm	48 - 49mm	50 - 51mm	52 - 53mm	54 - 55mm	56 - 57mm	58 - 59mm	60 - 61mm	62 - 63mm	64 - 65mm	66 - 67mm	68 - 69mm	70 - 71mm	34-71			
73mm	IDEAL 8000 + 8mm / 180250	->180x26, 180x47, 180x69		22 - 23mm	24 - 25mm	26 - 27mm	28 - 29mm	30 - 31mm	32 - 33mm	34 - 35mm	36 - 37mm	38 - 39mm	40 - 41mm	42 - 43mm	44 - 45mm	46 - 47mm	48 - 49mm	50 - 51mm	52 - 53mm	54 - 55mm	56 - 57mm	58 - 59mm	22-59			
67mm	energeto 5000 view Sash	->150x80					24 - 25mm	26 - 27mm	28 - 29mm	30 - 31mm	32 - 33mm	34 - 35mm	36 - 37mm	38 - 39mm	40 - 41mm	42 - 43mm	44 - 45mm	46 - 47mm	48 - 49mm	50 - 51mm	52 - 53mm	54 - 55mm	24-55			
65mm	IDEAL 7000, IDEAL 8000, Nord-line	Frame, lift-slide ⁴⁾		14 - 15mm	16 - 17mm	18 - 19mm	20 - 21mm	22 - 23mm	24 - 25mm	26 - 27mm	28 - 29mm	30 - 31mm	32 - 33mm	34 - 35mm	36 - 37mm	38 - 39mm	40 - 41mm	42 - 43mm	44 - 45mm	46 - 47mm	48 - 49mm	50 - 51mm	14-51			
63mm	IDEAL 5000 + 8mm / 180250	->150x27						24 - 25mm	26 - 27mm	28 - 29mm	30 - 31mm	32 - 33mm	34 - 35mm	36 - 37mm	38 - 39mm	40 - 41mm	42 - 43mm	44 - 45mm	46 - 47mm	48 - 49mm			12-49			
55mm	IDEAL 4000, IDEAL 5000, Nord-line	Sash, smart-slide ⁵⁾ 6), IDEAL 2000 + 8mm ->120x26, 120x32, 120x82, 120x86, 140x47		4 - 5mm	6 - 7mm	8 - 9mm	10 - 11mm	12 - 13mm	14 - 15mm	16 - 17mm	18 - 19mm	20 - 21mm	22 - 23mm	24 - 25mm	26 - 27mm	28 - 29mm	30 - 31mm	32 - 33mm	34 - 35mm	36 - 37mm	38 - 39mm	40 - 41mm	4-41			
47mm	IDEAL 2000, multi-slide ⁵⁾							4 - 5mm	6 - 7mm	8 - 9mm	10 - 11mm	12 - 13mm	14 - 15mm	16 - 17mm	18 - 19mm	20 - 21mm	22 - 23mm	24 - 25mm	26 - 27mm	28 - 29mm	30 - 31mm	32 - 33mm	4-33			
32mm	easy-slide ⁵⁾	easy-slide ⁶⁾ ->100078																3 - 5mm	6 - 7mm	8 - 9mm	10 - 11mm	12 - 13mm	14 - 15mm	16 - 17mm	18 - 19mm	3-19
20/22mm	mono-slide ⁵⁾ 6)																									3-8

b	Glazing Beads	46mm	44mm	42mm	40mm	38mm	36mm	34mm	32mm	30mm	28mm	26mm	24mm	22mm	20mm	18mm	16mm	14mm	12mm	10mm		
(CL) Classic-line																						
	h = 20mm ^{1) 2)}	black [mm] 140741 [6]	140841 [4]	140641 [2]	120740 [6]	120840 [4]	120640 [2]	120738 [6]	120838 [4]	120638 [2]	120736 [6]	120836 [4]	120636 [2]	120835 [4]	120635 [2]	120833 [4]	120633 [2]	120832 [4]	120632 [2]	140631 [4]		
	papyrus-white [mm] 140771 [6]	140871 [4]	140671 [2]	120770 [6]	120870 [4]	120670 [2]	120768 [6]	120868 [4]	120668 [2]	120766 [6]	120866 [4]	120666 [2]	120865 [4]	120665 [2]	120863 [4]	120663 [2]	120862 [4]	120662 [2]	140661 [4]			
	h = 30mm ²⁾	black [mm] -	-	-	-	-	-	-	-	-	-	-	-	130836 [4]	130636 [2]	130754 [6]	130854 [4]	130654 [2]	130753 [6]	130853 [4]	130653 [2]	-
papyrus-white [mm] -	-	-	-	-	-	-	-	-	-	-	-	-	130886 [4]	130686 [2]	130784 [6]	130884 [4]	130684 [2]	130783 [6]	130883 [4]	130683 [2]	-	
(RL) Round-line																						
	h = 20mm ^{1) 2)}	black [mm] -	-									140854 [2.5]	140654 [0.5]									
	papyrus-white [mm] -	-										140884 [2.5]	140684 [0.5]									
	h = 30mm ²⁾	black [mm] -	-																			
papyrus-white [mm] -	-	-																				
(SL) Soft-line																						
	h = 20mm ^{1) 2)}	black [mm] -	-									120855 [4]	120846 [4]	120646 [2]	120847 [4]	120647 [2]	120851 [4]	120651 [2]	120849 [4]	120649 [2]		
	papyrus-white [mm] -	-										120885 [4]	120876 [4]	120676 [2]	120877 [4]	120677 [2]	120881 [4]	120681 [2]	120879 [4]	120679 [2]		
	h = 30mm ²⁾	black [mm] -	-																			
papyrus-white [mm] -	-	-																				



i compressed gasket

- for backstop gasket systems
- for centre gasket systems
- or profile with gasket
- Sash (Lift-and-slide door)
- Sash (Sliding window)
- Frame (Sliding window)

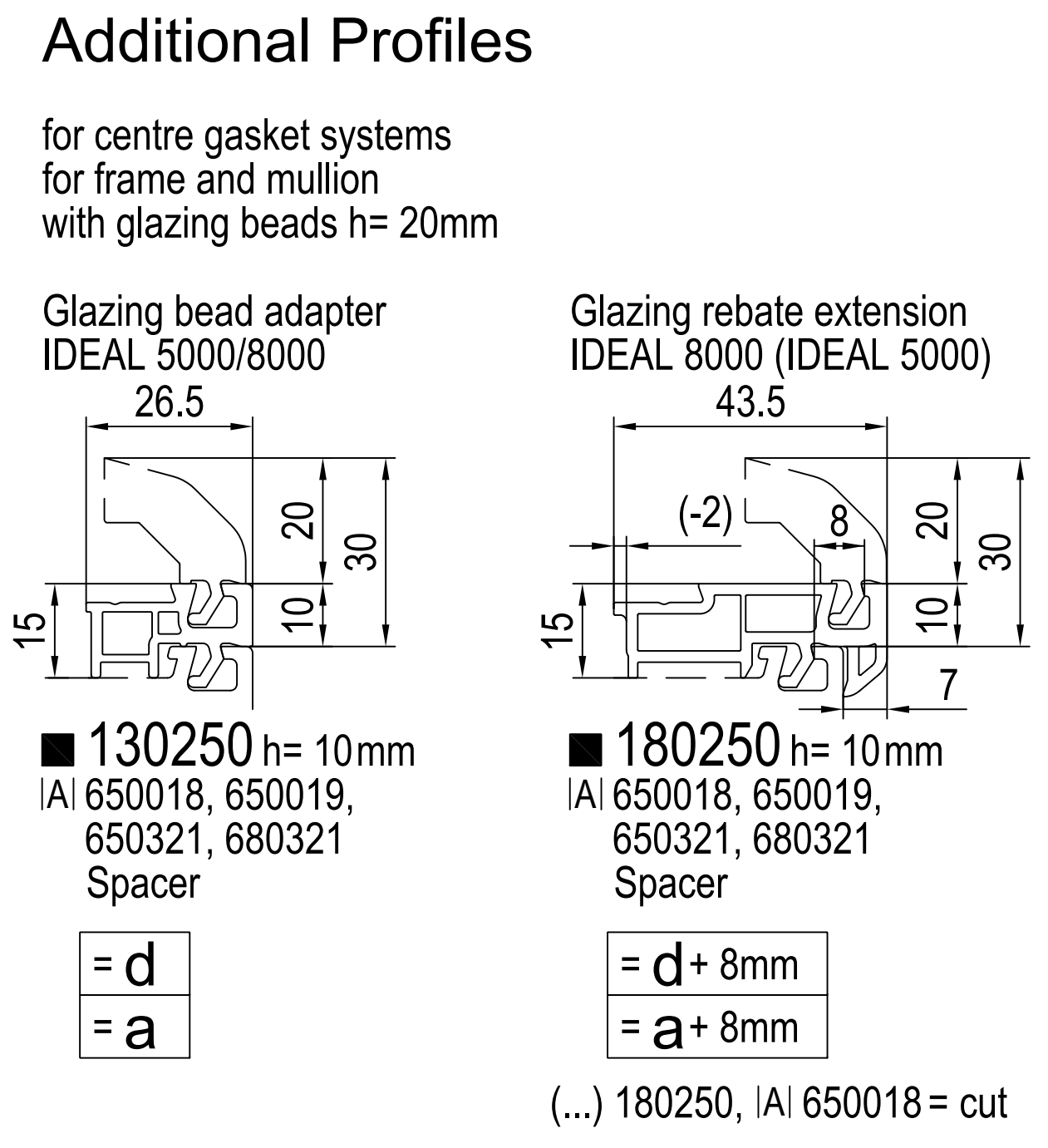
☐ not laminated
■ laminated

IPi aluskin Aluminium shells

-> for

(CL) Classic-line
(RL) Round-line
(SL) Soft-line

bl black ~ RAL 9005
pw papyrus-white ~ RAL 9018
oc ochre



Repair gaskets

IXI Gaskets -> Main Profiles

Glazing thickness	= d	Standard	= d	Option	= d	Option	= d	Option	x	x	x	x	= d - 2mm
IDEAL 2000, multi-slide ⁵⁾													
IDEAL 4000, IDEAL 5000, IDEAL 7000, IDEAL 8000, Nord-line, lift-slide ⁴⁾ , smart-slide ⁵⁾ 6), IDEAL 2000 + 8mm	x	= d + 1mm	= d + 1mm	= d + 1mm	= d	Standard	= d	Option	= d	IPi aluskin	= d	IPi aluskin	= d - 1mm
easy-slide ⁵⁾	x	= d	Standard	= d	Option	= d	Option	= d - 1mm	= d - 1mm	x	x	x	= d - 2mm
mono-slide ⁵⁾	x	= d + 2mm	= d + 2mm	= d + 2mm	= d + 1mm	= d + 1mm	x	x	= d	Standard			= d
easy-slide ⁶⁾ , mono-slide ⁶⁾	x	= d	Option	= d	Standard	= d	Option	= d - 1mm	= d - 1mm	x	x	x	= d - 2mm

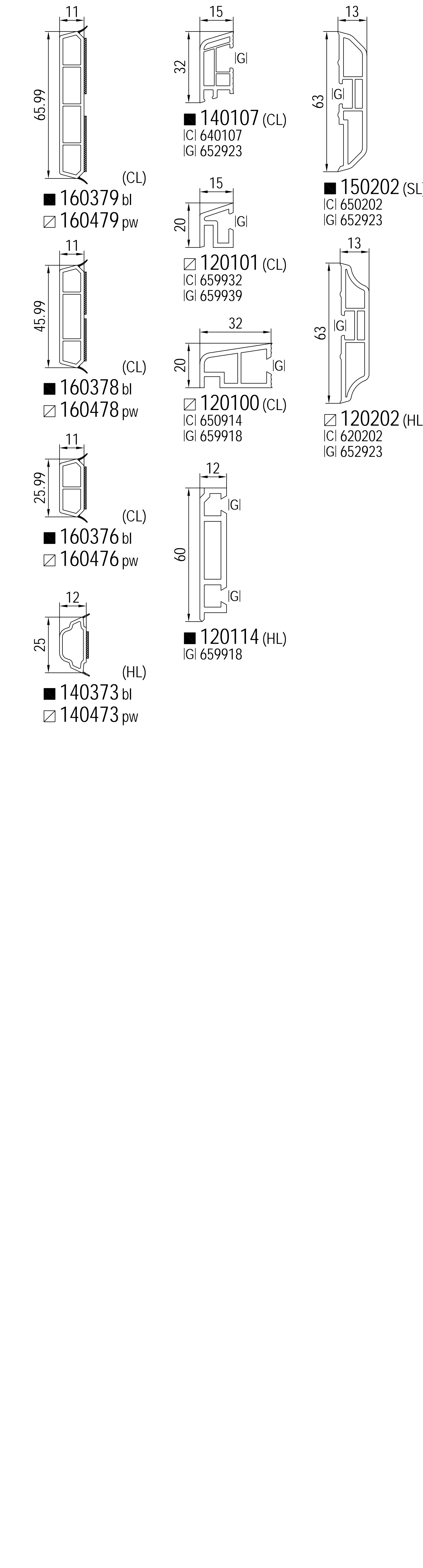
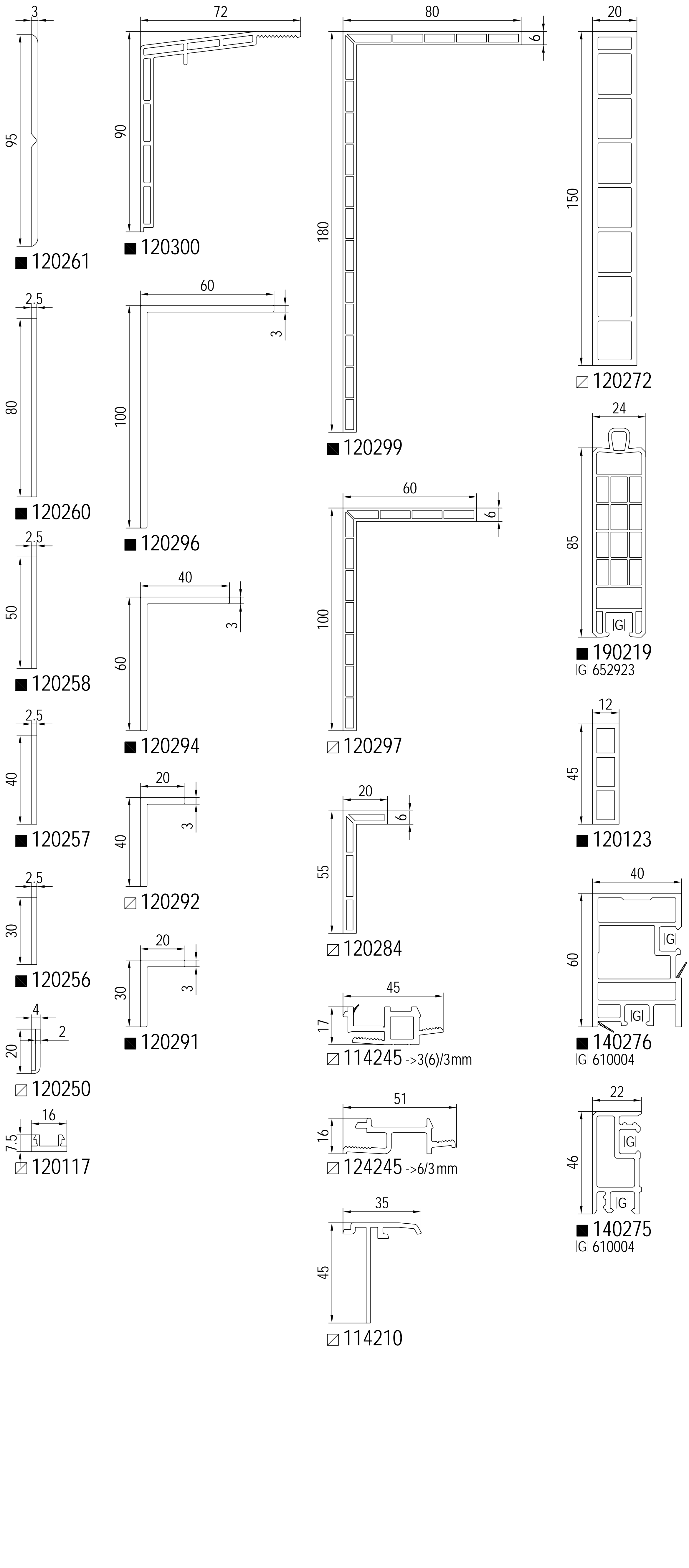
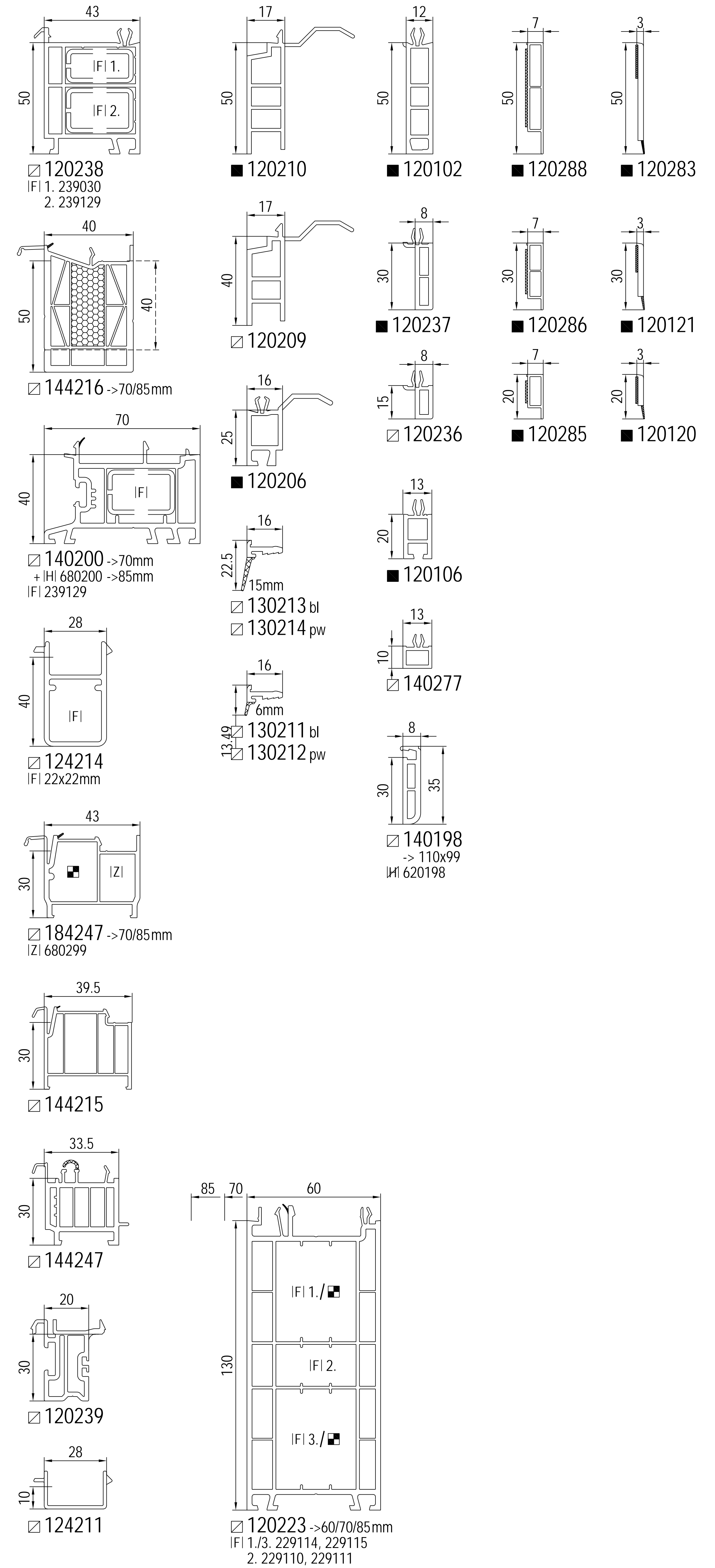
compression [mm] [2.5-3.5] [2.5-3.5] [3-3.5] [3-5] [4-4.5] [4-4.5] [4] [4] [4.5-7.0]

IXI Gaskets -> Glazing Beads

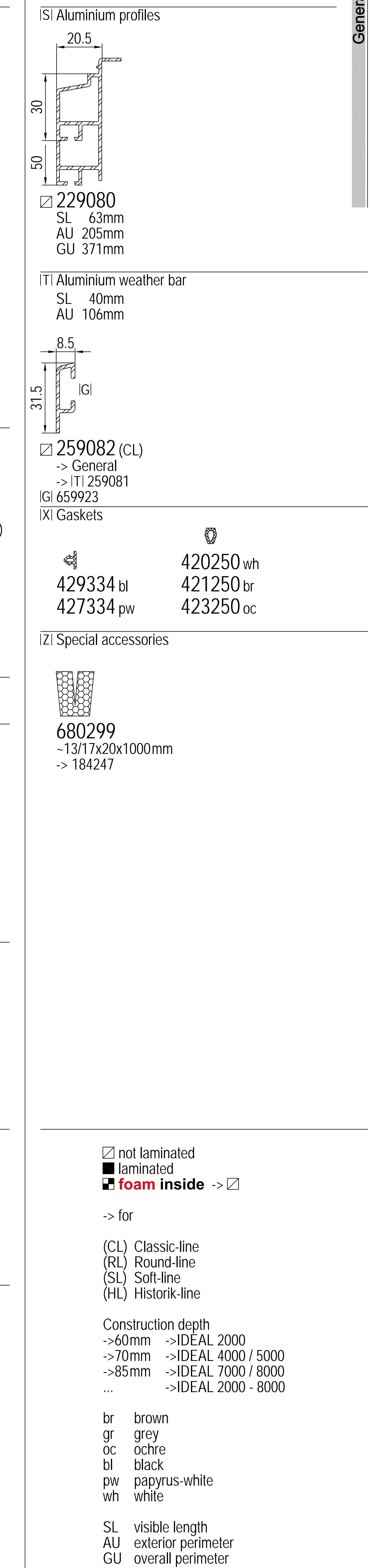
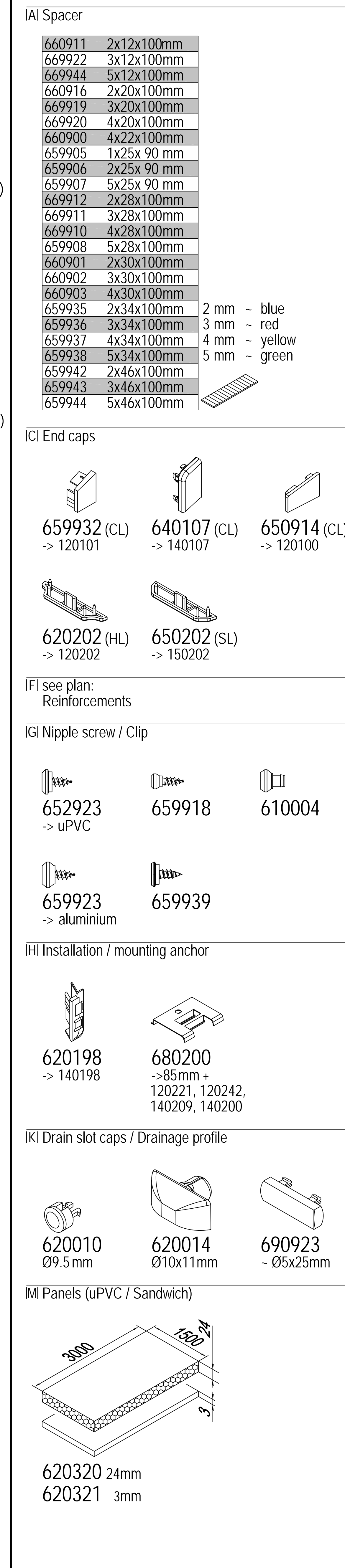
Compression	429921 bl	459922 bl	409076 bl	459925 bl	479015 bl	449980 bl	459951 bl	449986 bl	459923 bl
429921 pw	-	pw	-	459925 pw	477015 pw	447980 pw	-	447986 pw	-
- oc	-	- oc	-	453925 oc	- oc	- oc	- oc	- oc	- oc
C = 3mm	C = 3mm	C = 3mm	C = 3mm	C = 3mm	C = 4mm	C = 4mm	C = 4mm	C = 4mm	C = 5mm

Standard -> IPi
Option -> IPi

General



Accessories



Extensions

120227 -> 100069, 100071, 100076, 100x92 60
120220 ->60/70mm
140227 -> 100078
140209 ->70mm + IHI 680200 ->85mm
180227 ->85mm
180209 ->85mm
120242 ->60/70mm + IHI 680200 ->85mm IFI 229110, 229111 IPI 249335
140205 ->70/85mm IFI 229110, 229111 IPI 249335
180201 ->85mm IFI 229098, 229100, 229101 IPI 249335
120221 ->60/70mm + IHI 680200 ->85mm IFI 229110, 229115 IPI 249360
140207 ->70/85mm IFI 229017, 229114, 229115 IPI 249360
180203 ->85mm IFI 229017, 229114, 229115 IPI 249360
140208 ->70/85mm IFI 1. 229114, 229115 2. 259010, 259011 IPI 249310
180204 ->85mm IFI 229114, 229115 IPI 249310
140206 ->70/85mm IFI 229114, 229115
180222 ->85mm
120275 90° ->60mm IFI 229040 s=2.0mm, lx=7.0cm⁴ IHI 622041
180248 90° ->60/70/85mm IFI 229040 s=2.0mm, lx=7.0cm⁴ IHI 622041
140249 135° ->60/70/85mm IFI 249242 s=2.0mm, lx=2.9cm⁴ IHI 622902

Couplings

120116
120224 IHI 459905
449140 bl = IHI Gaskets
140203 ->70mm
120217 ->60mm
140267 ->70mm
180267 ->85mm
140243 ->70mm IHI 447340, 449340
140244 ->70/85mm IFI 249244 s=3.2mm, lx=23.5cm⁴ IHI 622333
120275 90° ->60mm IFI 229040 s=2.0mm, lx=7.0cm⁴ IHI 622041
140248 90° ->60/70/85mm IFI 229040 s=2.0mm, lx=7.0cm⁴ IHI 622041
140249 135° ->60/70/85mm IFI 249242 s=2.0mm, lx=2.9cm⁴ IHI 622902

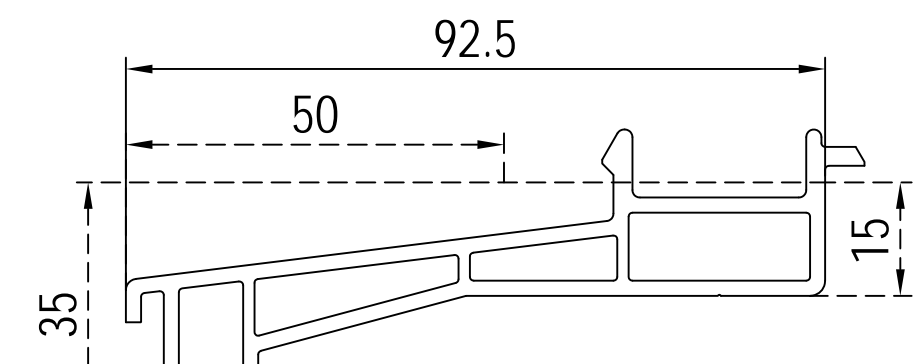
Structural profiles

120224 ->85mm IFI 1x 289018 s=1.5mm, lx=6.6cm⁴ 2x 289018 s=1.5mm, lx=13.2cm⁴
120219 ->60/70/85mm IFI 1x 229019 s=2.0mm, lx=43.3cm⁴, punched out 2x 229019 s=2.0mm, lx=86.6cm⁴, punched out IHI 622019
140267 ->70mm IFI 1x 209900 s=1.5mm, lx=7.3cm⁴ 2x 209900 s=1.5mm, lx=14.6cm⁴
120218 ->60mm IFI 1. 229018 s=2.5mm, lx=24.8cm⁴ 2. steel 70mm s=6.0mm, lx=17.1cm⁴ IHI 622338, 622354, 682332, 682335
180267 ->85mm IFI 1. 1x 209900 s=1.5mm, lx=7.3cm⁴ 1. 2x 209900 s=1.5mm, lx=14.6cm⁴ 2. 1x 289018 s=1.5mm, lx=6.6cm⁴ 2. 2x 289018 s=1.5mm, lx=13.2cm⁴
140218 ->70mm IFI 1. 229018 s=2.5mm, lx=24.8cm⁴ 2. 289218 s=2.0mm, lx=37.0cm⁴ 3. steel 70mm s=6.0mm, lx=17.1cm⁴ IHI 622338, 622354, 682332, 682335
180218 ->85mm IFI 1. 229018 s=2.5mm, lx=24.8cm⁴ 2. 289218 s=2.0mm, lx=37.0cm⁴ 3. steel 70mm s=6.0mm, lx=17.1cm⁴ IHI 622338, 622354, 682332, 682335
120109 IFI 1. 229114 s=1.5mm, lx=3.9cm⁴ 1. 229115 s=2.0mm, lx=5.0cm⁴ 2. 229125 s=2.0mm, lx=12.0cm⁴ 2. 229126 s=3.0mm, lx=17.0cm⁴ 3. 259926 s=2.0mm, lx=18.7cm⁴ IHI 622104 -> IFI 229125, 259926

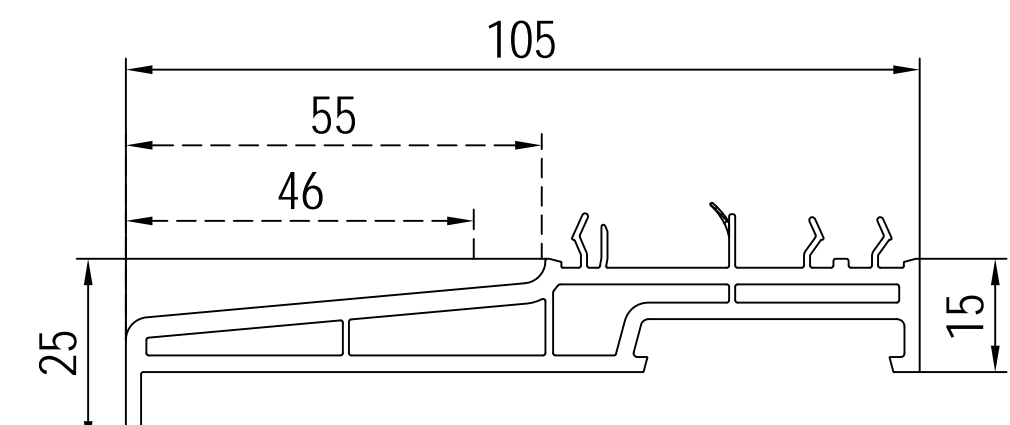
Accessories

IAI Spacer
640302 2x50x100 mm -> Couplings
IFI Reinforcements s | lx | ly
 -> Sash
 IDEAL 2000+8, IDEAL 4000, IDEAL 5000, IDEAL 7000, IDEAL 8000
 IFI 259023³⁾ 2.0mm | 1.9 | 0.02 | 2.4m
 -> Sash
 IDEAL 7000, IDEAL 8000
 IFI 289027³⁾ 2.5mm | 3.5 | 0.04 | 2.4m
IHI Installation / mounting anchor
642025 3mm General -> Couplings
645050 5mm General -> Couplings
685058 -> 050x04 -> 080x04, 180x04 *see plan: 1/4
680200 ->85mm + 120221, 120242, 140209, 140200
644299 IHI 742299, 782299 -> Extension profile
622337 110-180mm
622140 IFI 229140 -> 120241
622333 IFI 249244 -> 140244
622041 IFI 229040 -> 120275, 259926
622104 IFI 229125, 259926 -> 120109
622354 IFI 229018, 289218 -> 120218, 140218, 180218
682335 IFI 229018, 289218 -> 120218, 140218, 180218
622338 IFI 229018, 289218 -> 120218, 140218, 180218
682332 IFI 229018, 289218 -> 120218, 140218, 180218
622019 IFI 229019 -> 120219 General -> Couplings
622902 IFI 249242 -> 140249 General -> Couplings
682333 General -> Extension profile
640334 145mm ->42kg
640332 140mm ->31kg
620410 -> General
640331 protrusion 30mm ->100kg 50mm ->60kg 70mm ->30kg
640330 protrusion 30mm ->55kg 50mm ->30kg 70mm ->18kg
680414 -> 080x04, 180x04
IPI aluskin Aluminium shells
249335 (CL) -> 120242, 140205, 180201
249360 (CL) -> 120221, 140207, 180203
249310 (CL) -> 140208, 180204
ISI Aluminium profiles
289210 (CL) ISI 289210
289211 (CL) ISI 459922
IHI Gaskets
429320 bl -> 120240 pw
449340 bl -> 140243 pw
459922 bl ISI 289211 pw
449140 bl = Couplings
459905 bl -> 120224
742299 bl ->70mm -> Extension profile -> Extension profile IHI 644299
782299 bl ->85mm -> Extension profile -> Extension profile IHI 644299
690060 l=24m ->60mm -> Extension profile -> Extension profile
690070 l=24m ->70mm -> Extension profile -> Extension profile
690085 l=24m ->85mm -> Extension profile -> Extension profile
 ■ not laminated
 ■ laminated
 ■ foam inside -> ■
 -> for
 gn green
 bl black
 pw papyrus-white
 Construction depth
 ...->IDEAL 2000 - 8000
 ->60 mm ->IDEAL 2000
 ->70 mm ->IDEAL 4000 / 5000
 ->85 mm ->IDEAL 7000 / 8000
 SL visible length
 AU exterior perimeter
 SL: AU:

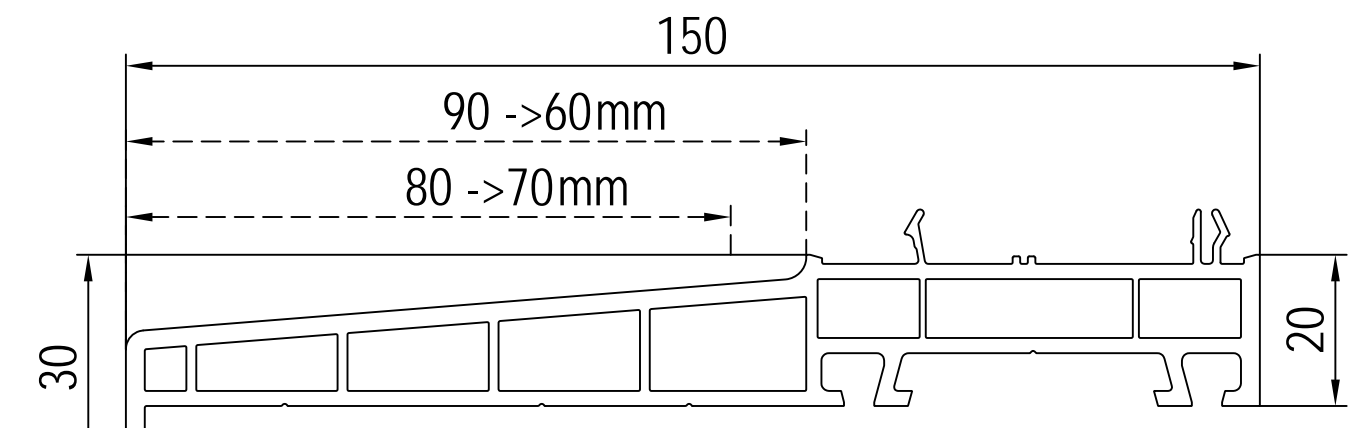
Exterior window sills



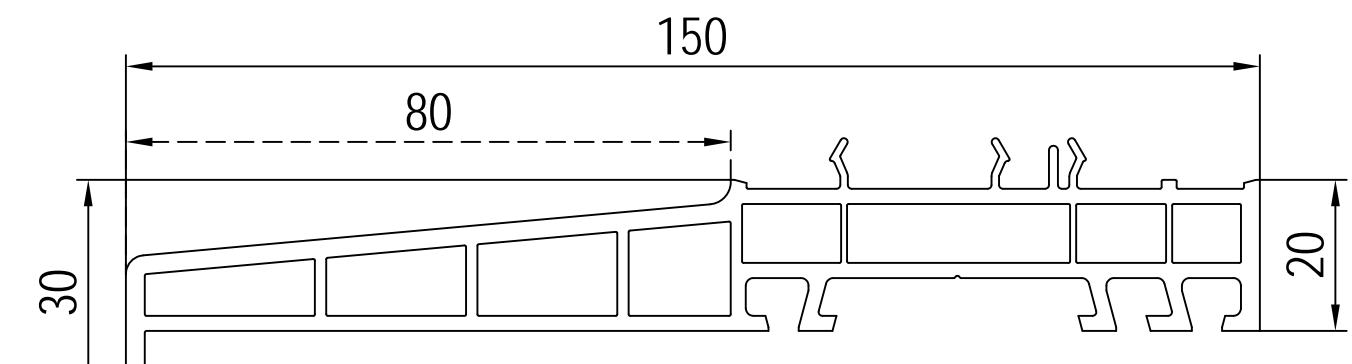
■ 120246
ICI 650921



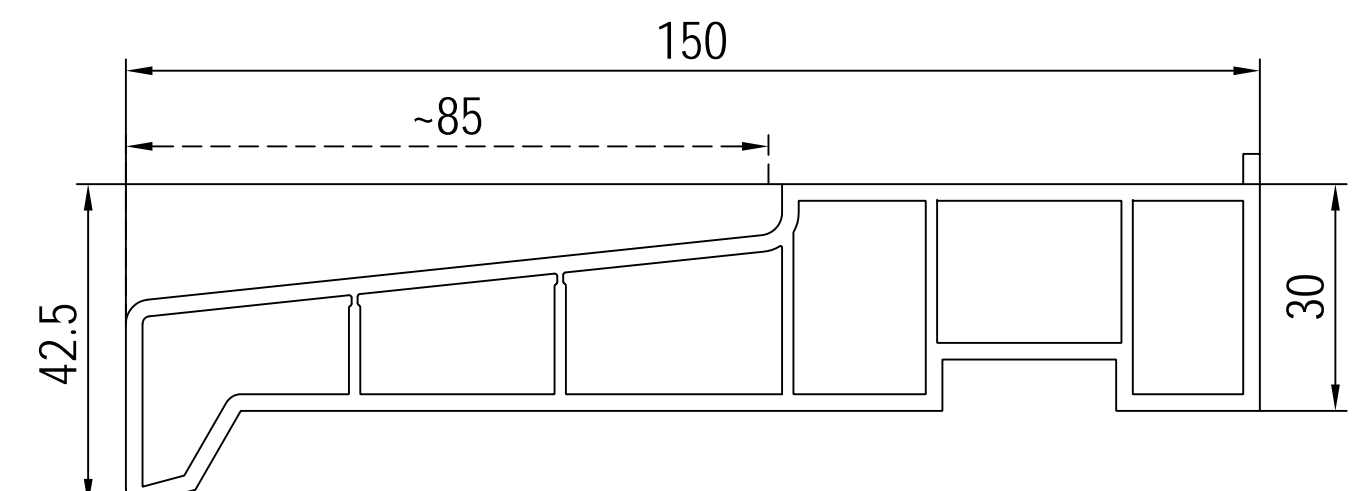
■ 120248
ICI 620249, 640238



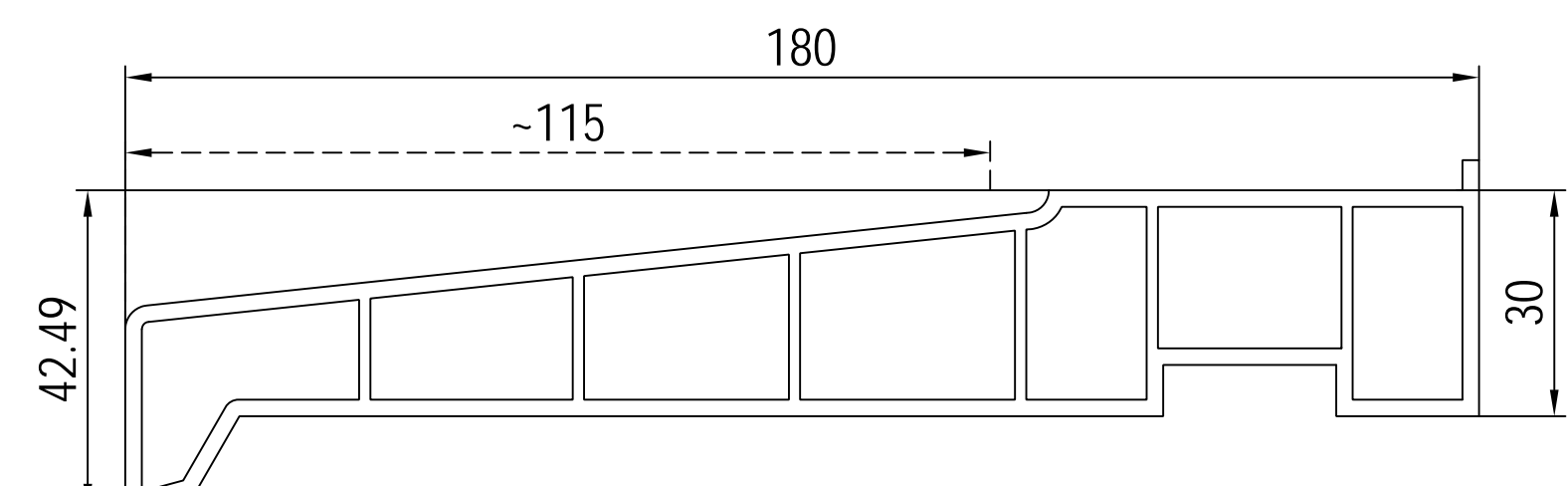
■ 120249
->60/70mm
ICI 640238
IPI 249449 ->70mm



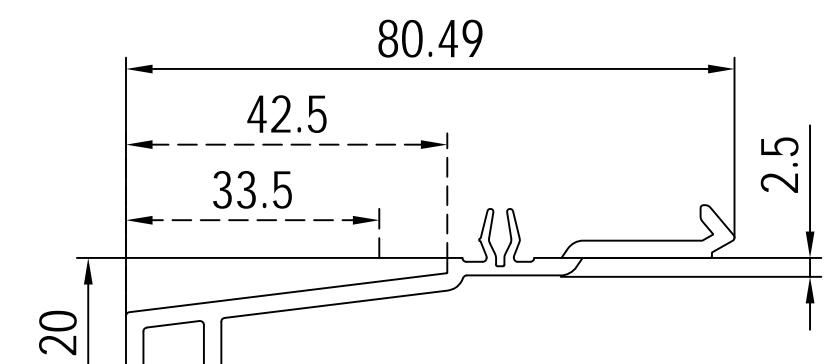
■ 140238
->70 mm
ICI 640238



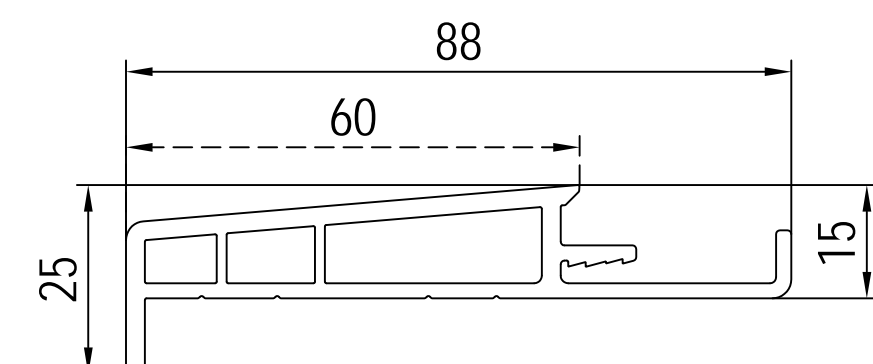
□ 100220
ICI 600220



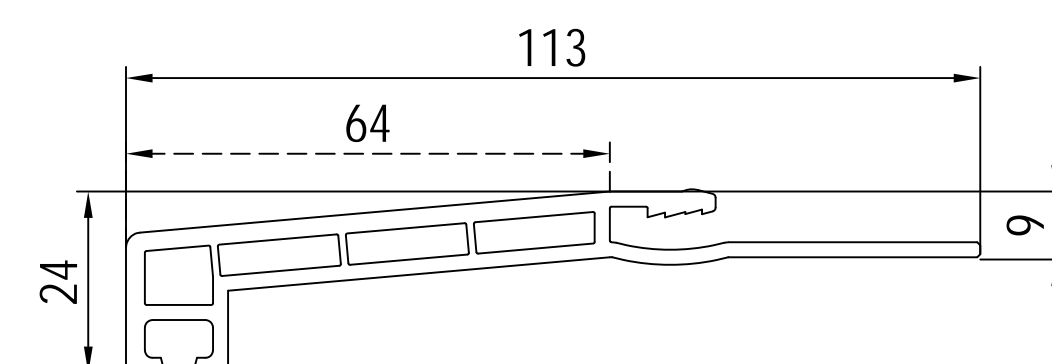
□ 120108
ICI 650902



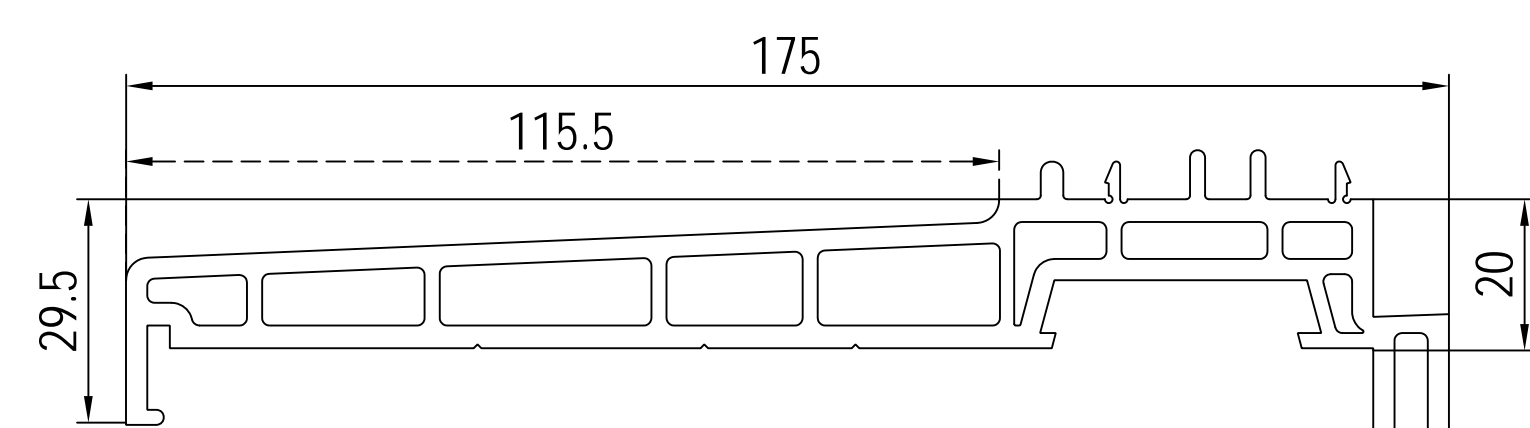
□ 140229



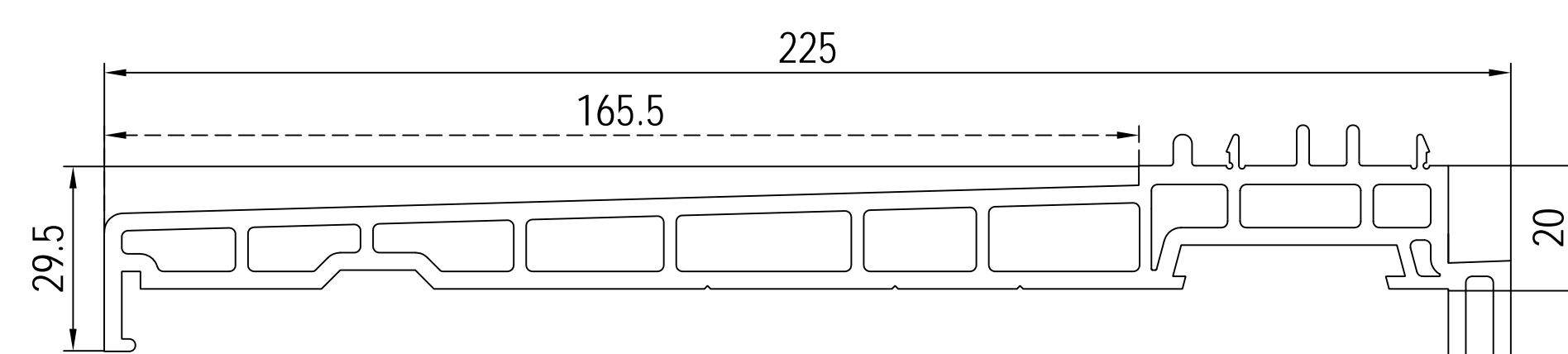
□ 110200
-> 110x99, 120x59
ICI 640238



■ 140219
-> 120x39, 120x91, 140x17, 140x090000011, 150x110000011
ICI 640238



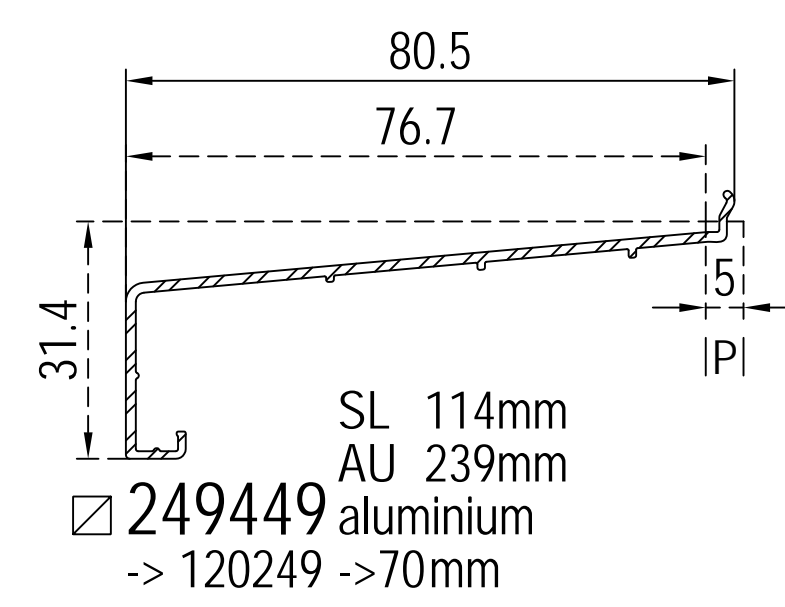
□ 120190
-> (RL)(MB) 110x06, 110x08, 110x09, 120x19, 120x57



□ 120192
-> (RL)(MB) 110x06, 110x08, 110x09, 120x19, 120x57

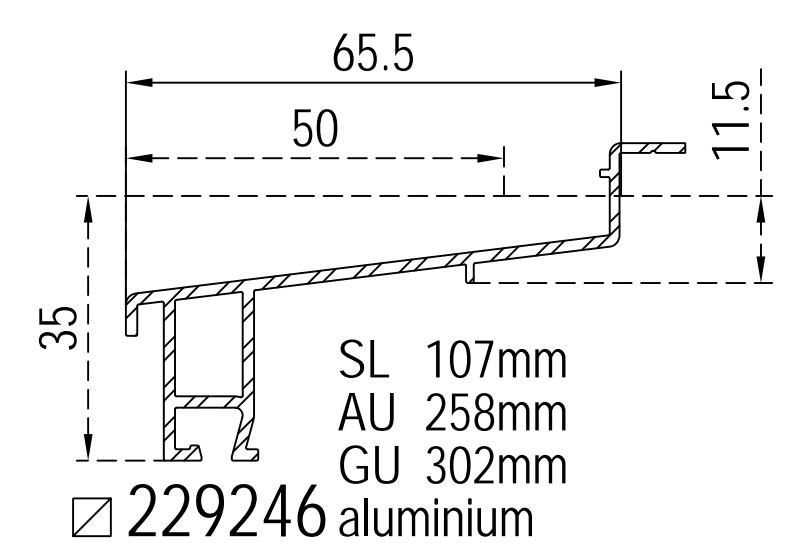
aluminium

IPI aluskin Aluminium shells



SL 114mm
AU 239mm
□ 249449 aluminium
-> 120249 ->70mm

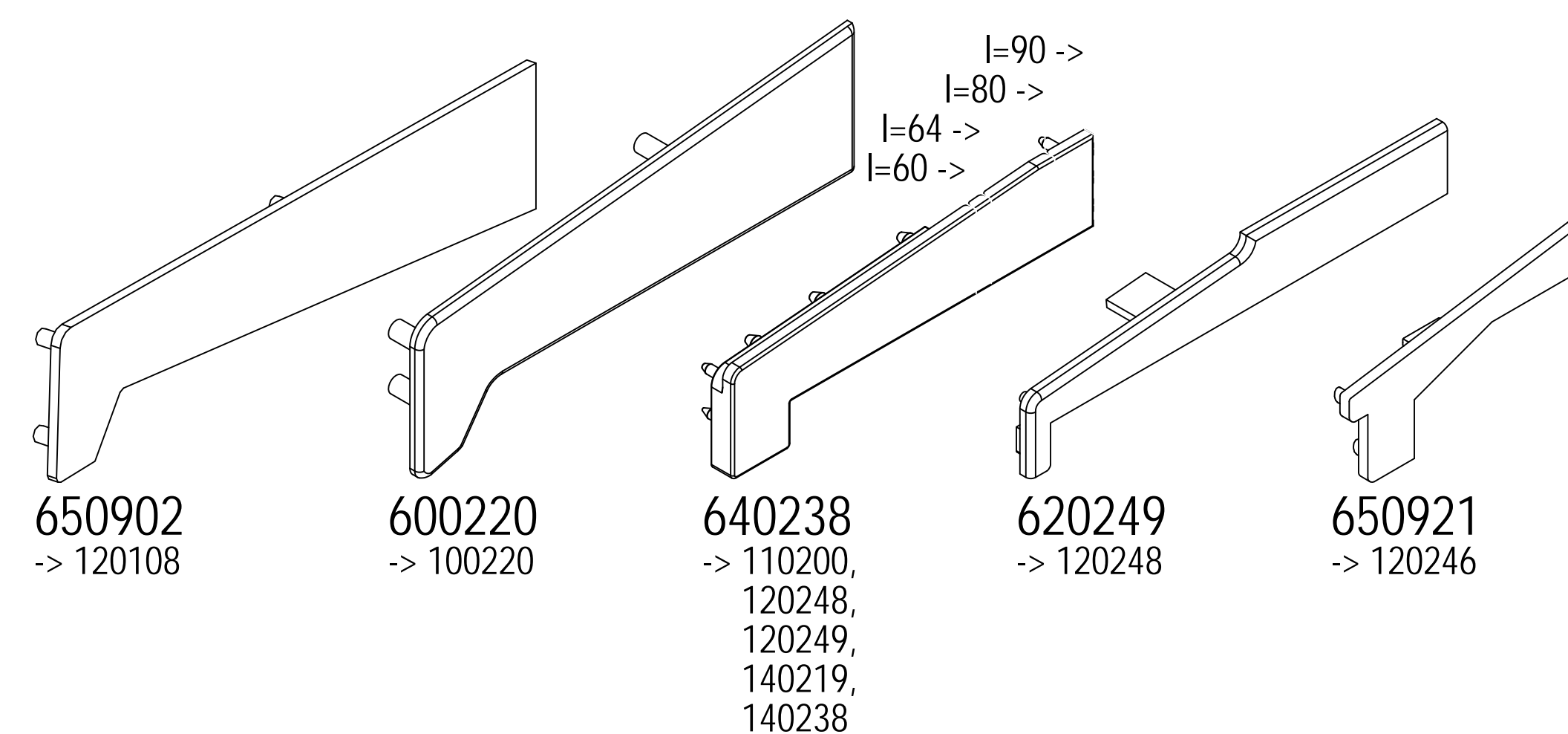
ISI Aluminium profiles



SL 107mm
AU 258mm
GU 302mm
□ 229246 aluminium

Accessories

ICI End caps



650902
-> 120108

600220
-> 100220

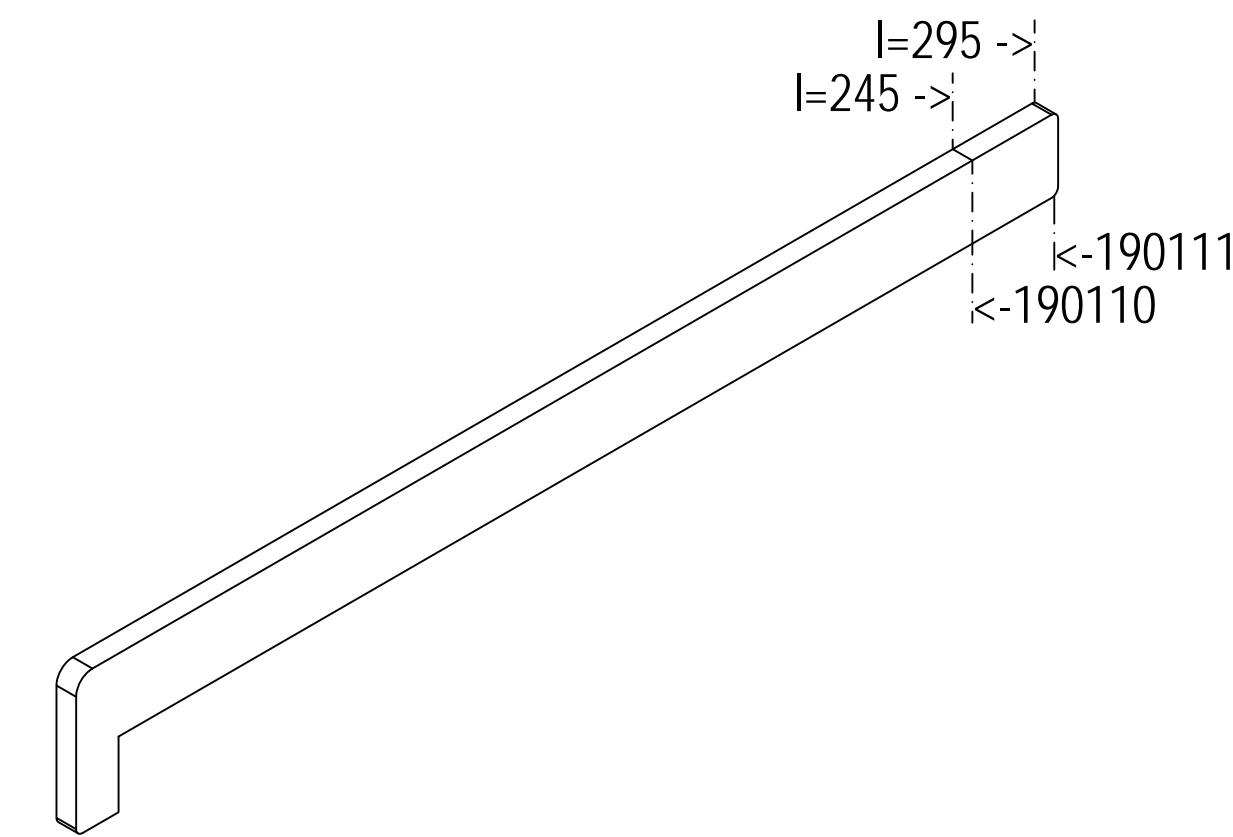
640238
-> 110200,
120248,
120249,
140219,
140238

620249
-> 120248

650921
-> 120246

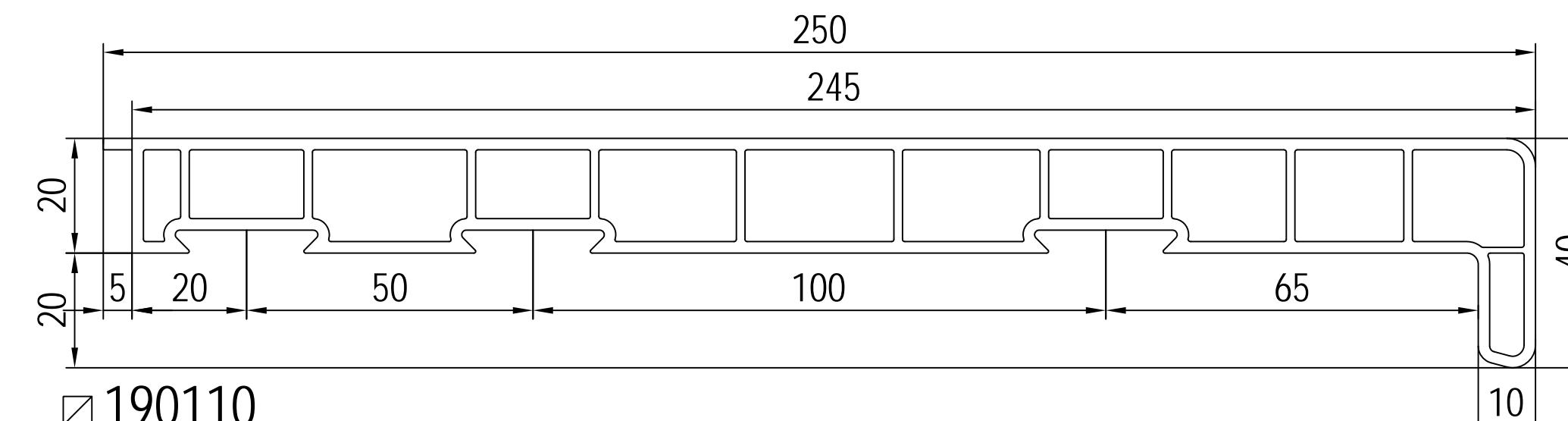
Accessories

ICI End caps

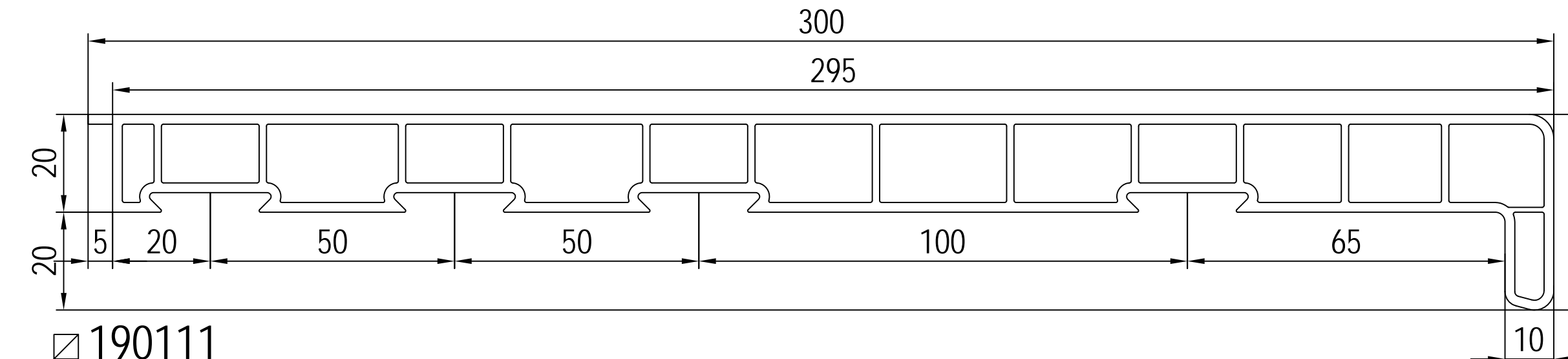


610911
-> 190110, 190111

Interior window sills

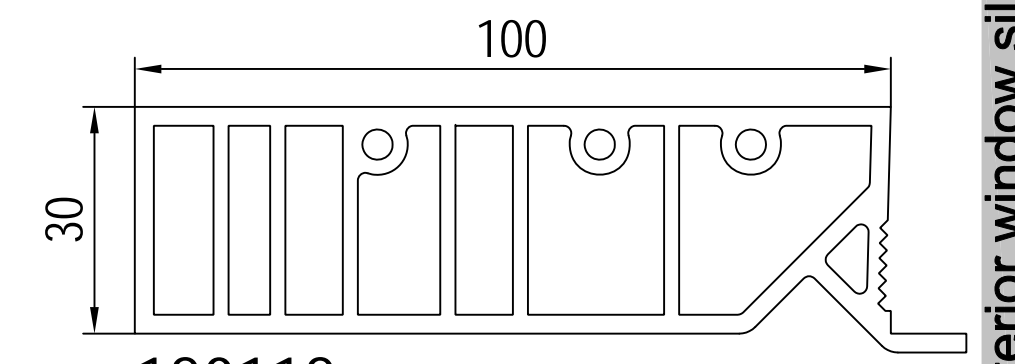


□ 190110
ICI 610911 cut

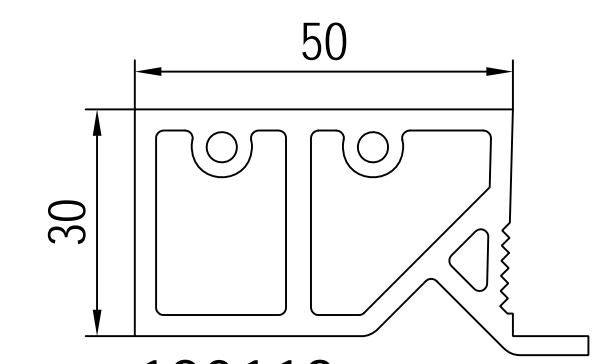


□ 190111
ICI 610911

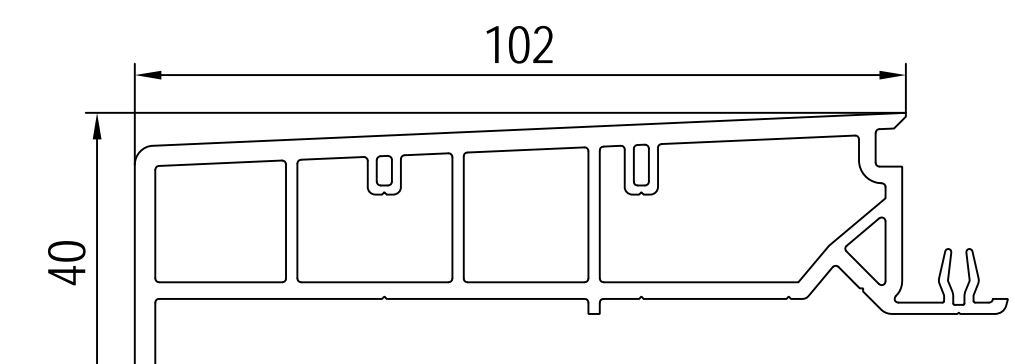
Frames



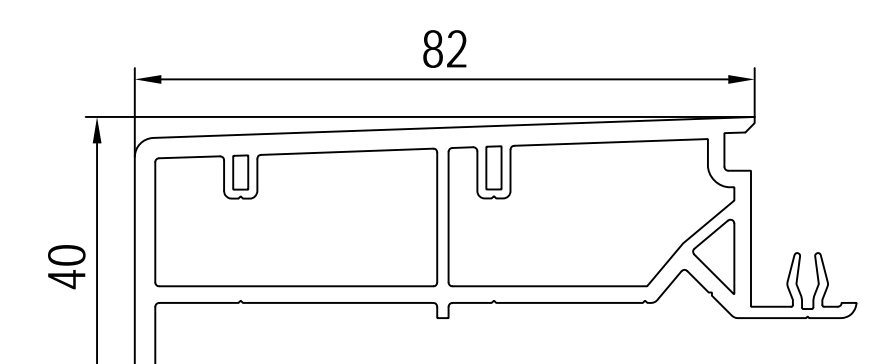
■ 120112



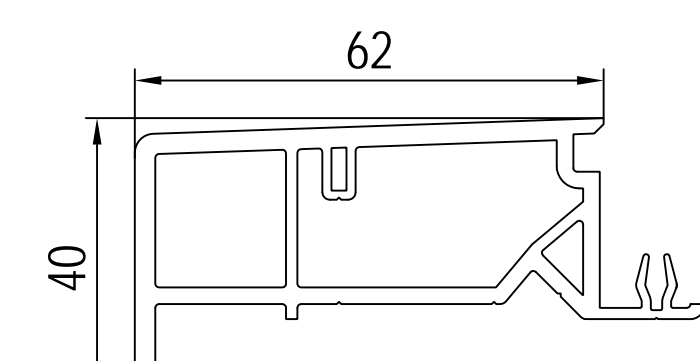
□ 120113



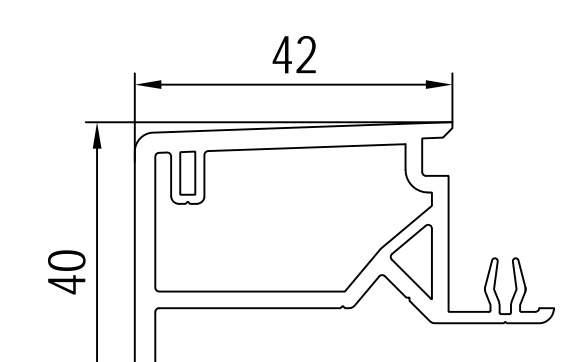
□ 120196



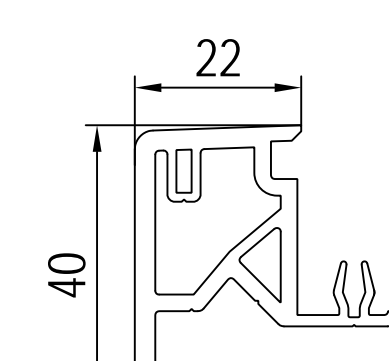
■ 120270



□ 120195



□ 120194



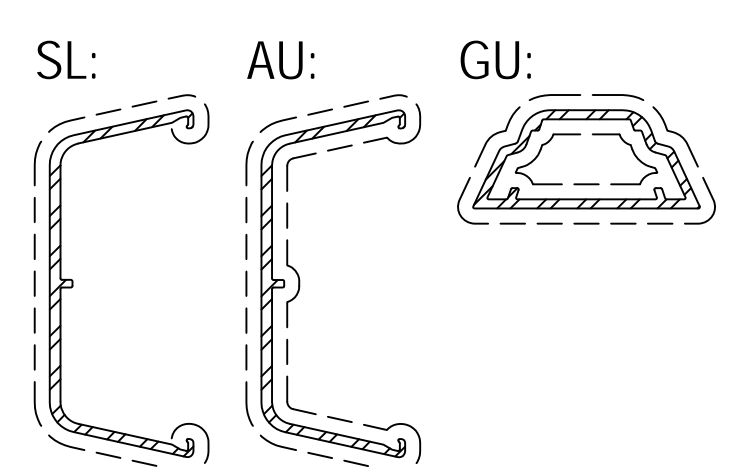
□ 120193

□ not laminated
■ laminated

-> for

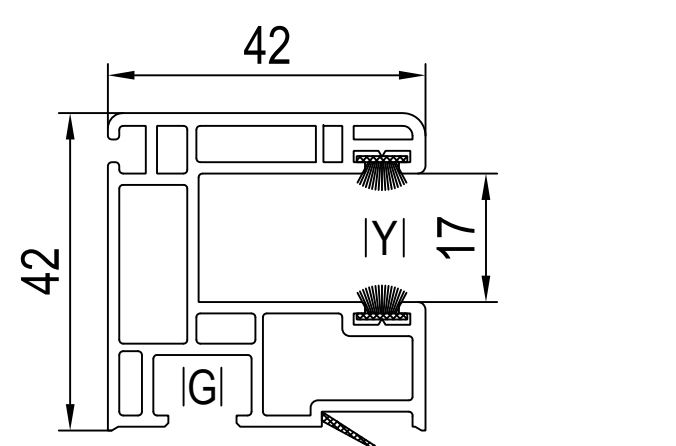
Construction depth
->60mm ->IDEAL 2000
->70mm ->IDEAL 4000 / 5000
->85mm ->IDEAL 7000 / 8000
... ->IDEAL 2000 - 8000

SL visible length
AU exterior perimeter
GU overall perimeter

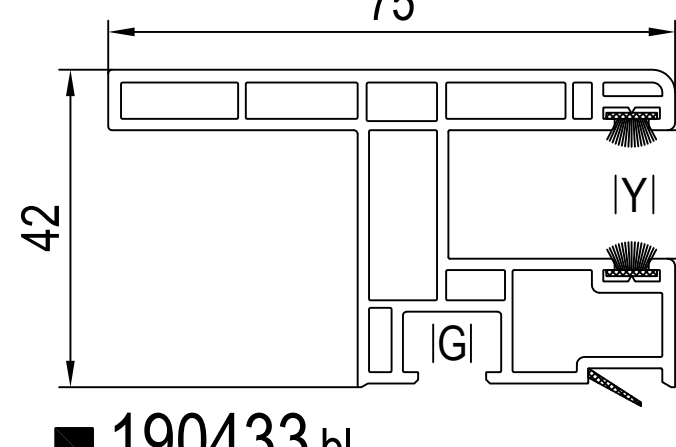


Roller shutter guides
-> max.-L

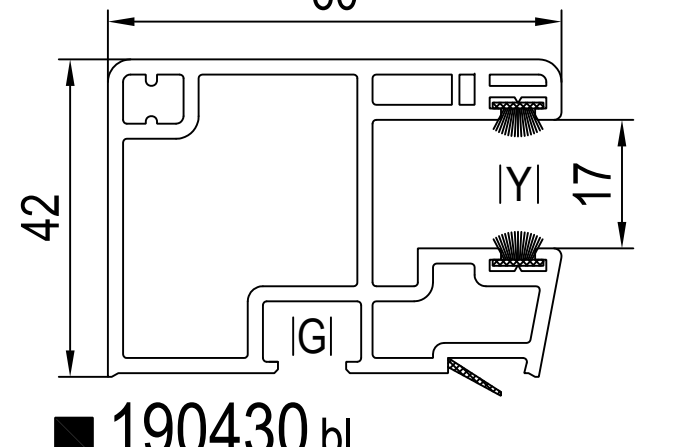
Roller shutter guides



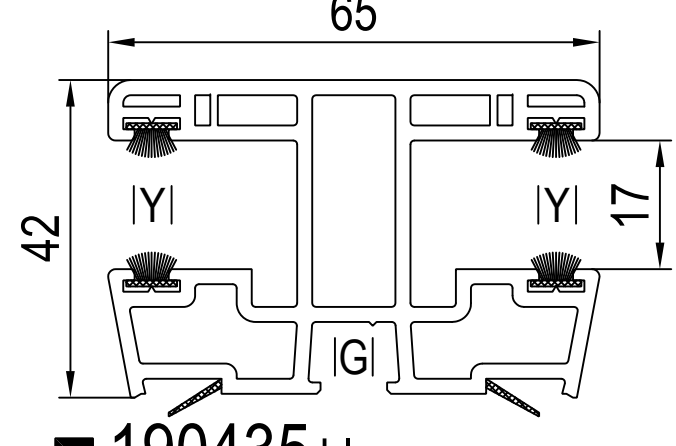
■ 120429 bl
BI 620042, 620044
CI 620032
GI 652923
YI 459930 -> max.-L Standard
YI 459932 -> mini-L Option



■ 190433 bl
BI 620042, 620044
CI -
GI 652923
YI 459930 -> max.-L Standard
YI 459932 -> mini-L Option



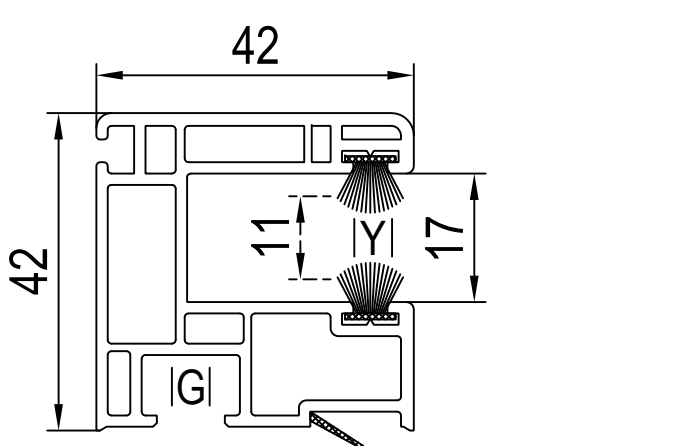
■ 190430 bl
BI 620038
CI 690030
GI 652923
YI 459930 -> max.-L Standard
YI 459932 -> mini-L Option



■ 190435 bl
BI 620038
CI 690035
GI 652923
YI 459930 -> max.-L Standard
YI 459932 -> mini-L Option

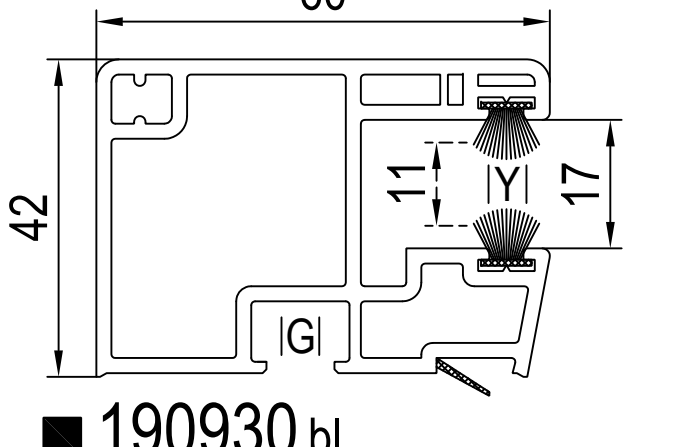
-> mini-L

Roller shutter guides

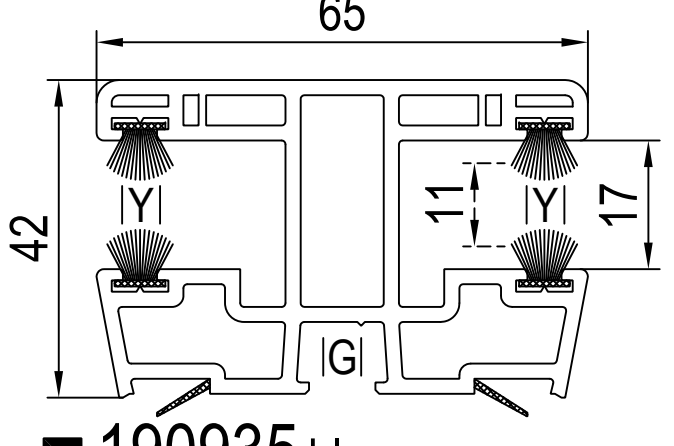


■ 120929 bl
BI 620042, 620044
CI 620032
GI 652923
YI 459930 -> max.-L Option
YI 459932 -> mini-L Standard

see
190433
+ Option



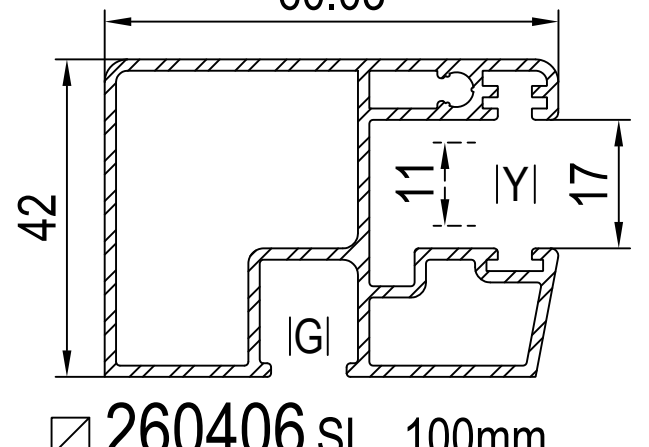
■ 190930 bl
BI 620038
CI 690030
GI 652923
YI 459930 -> max.-L Option
YI 459932 -> mini-L Standard



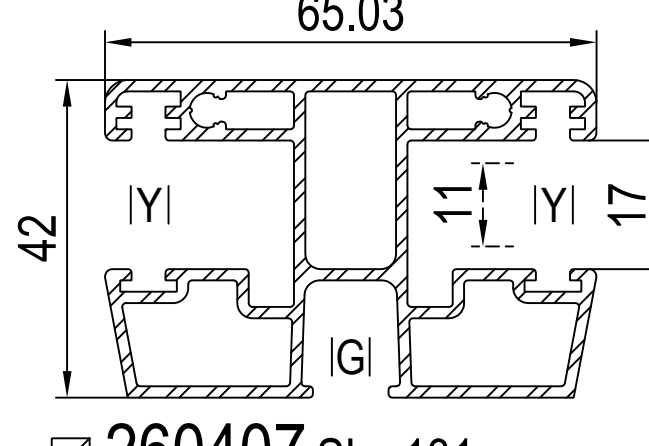
■ 190935 bl
BI 620038
CI 690035
GI 652923
YI 459930 -> max.-L Option
YI 459932 -> mini-L Standard

aluminium

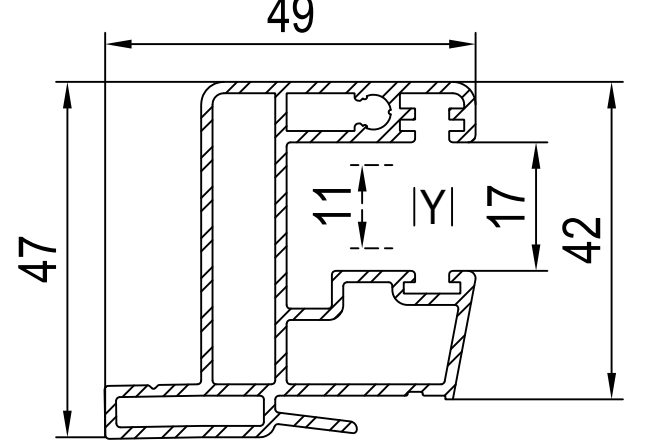
IRI Aluminium roller shutter guides without brush seals



■ 260406 SL 100mm
BI 620038 AU 333mm
CI - GU 579mm
GI 659923
YI 459930 -> max.-L
YI 459932 -> mini-L



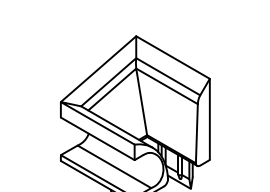
■ 260407 SL 131mm
BI 620038 AU 435mm
CI - GU 715mm
GI 659923
YI 459930 -> max.-L
YI 459932 -> mini-L



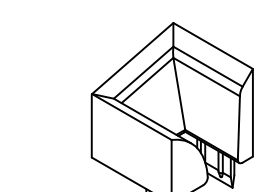
■ 259305 -> IPI 259304
-> IPI **aluskin** -> IPI 289304
BI 620038 SL 124mm
CI - AU 306mm
GI - GU 550mm
YI 459930 -> max.-L
YI 459932 -> mini-L

Accessories

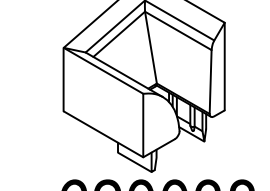
BI Inlet funnel



■ 620044
-> 120429, 120929, 190433

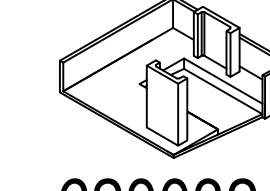


■ 620042
-> 120429, 120929, 190433

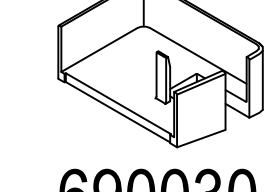


■ 620038
-> 190430, 190930, 190435, 190935
IRI 260406, 260407

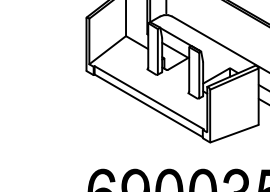
CI End caps



■ 620032
-> 120429, 120929




■ 690030
-> 190430, 190930

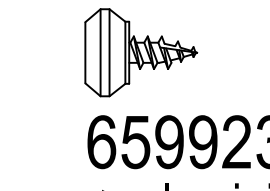


■ 690035
-> 190435, 190935

GI Nipple screw / Clip




■ 652923
-> uPVC
-> 120429, 120929, 190430, 190930, 190433, 190435, 190935




■ 659923
-> aluminium
IRI 260406, 260407

YI Brush seals



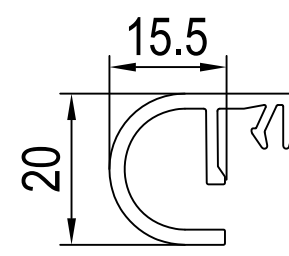
■ 459930 bl
-> max.-L
-> 120429, 120929, 190430, 190930, 190433, 190435, 190935
IRI 260406, 260407



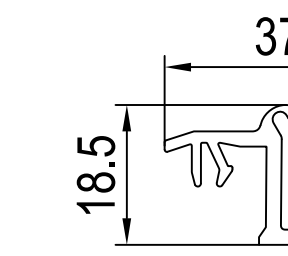
■ 459932 bl
-> mini-L
-> 120429, 120929, 190430, 190930, 190433, 190435, 190935
IRI 260406, 260407

Roller shutter

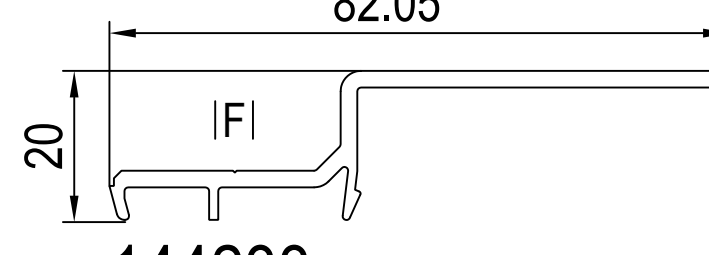
Roller shutter traverses



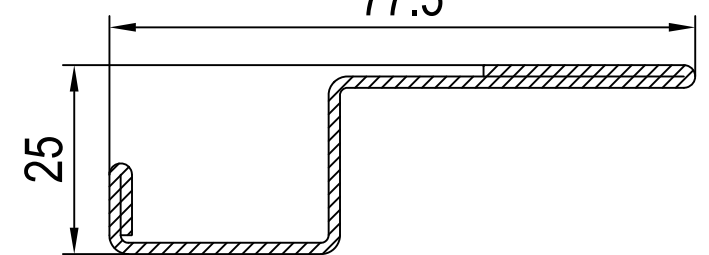
■ 190274



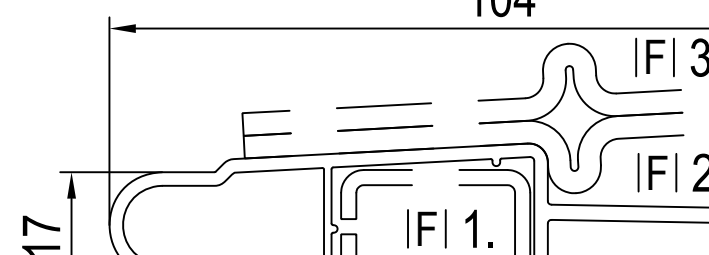
■ 190273



■ 144233
IFI 249234



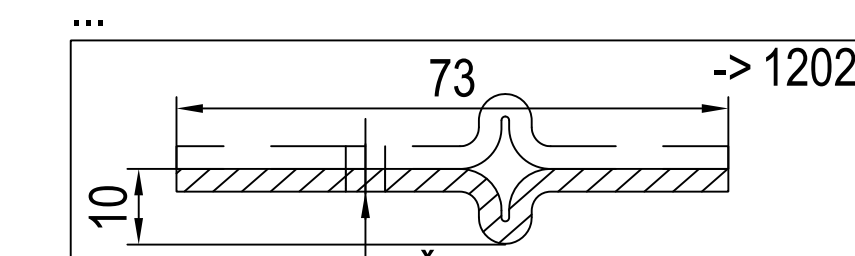
■ 144233
IFI 249234 s=1.5mm, lx=12.6cm⁴



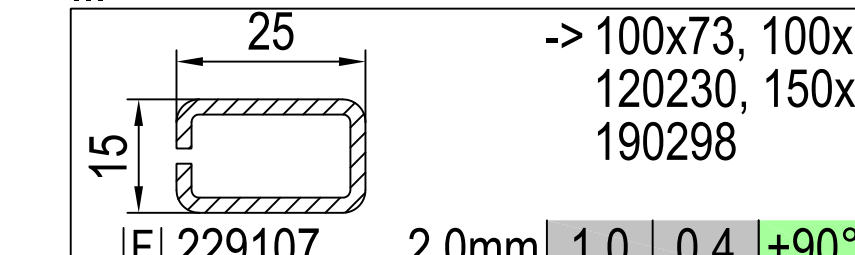
■ 120230
IFI 1. 229107 s=2.0mm, lx=1.0cm⁴
2. 229010 s=3.0mm, lx=9.9cm⁴
3. 2x 229010 s=3.0mm, lx=19.7cm⁴

Accessories

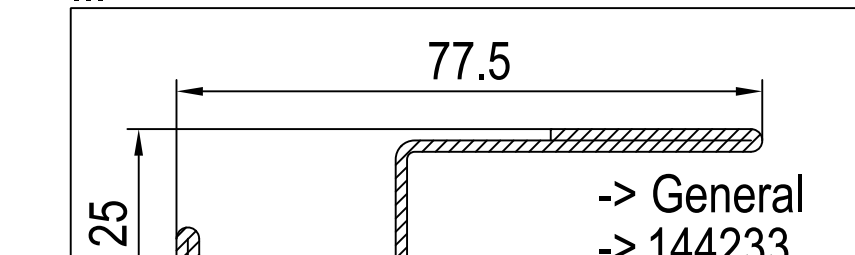
IFI Reinforcements



■ 120230
IFI 229010³⁾ 3.0mm 9.9 0.1
IFI 229010³⁾ 2x 3.0mm 19.7 0.2

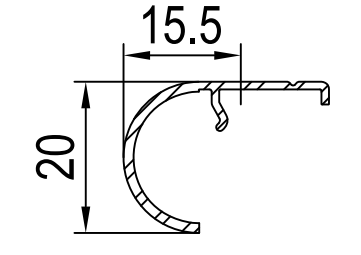


■ 190298
IFI 229107 2.0mm 1.0 0.4 +90°



■ 144233
IFI 249234 1.5mm 12.6 2.0
-> General
-> 144233


ISI Aluminium profiles



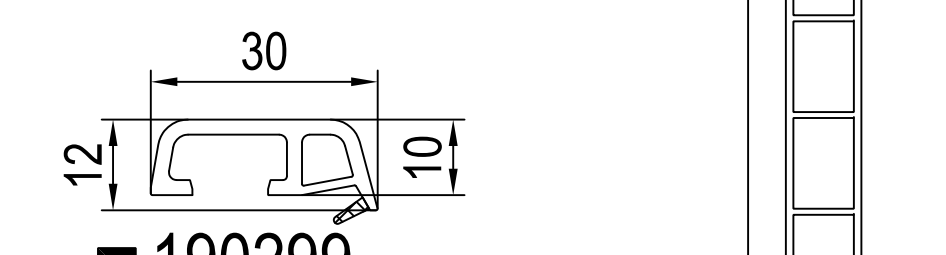
■ 259306
-> IPI **aluskin**
SL --- mm
AU 111mm

Renovation box

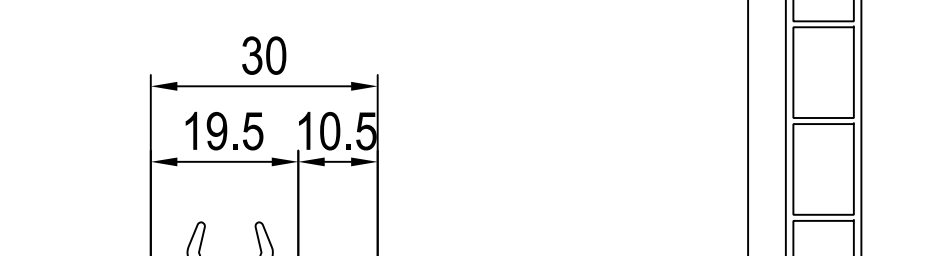
Renovation box



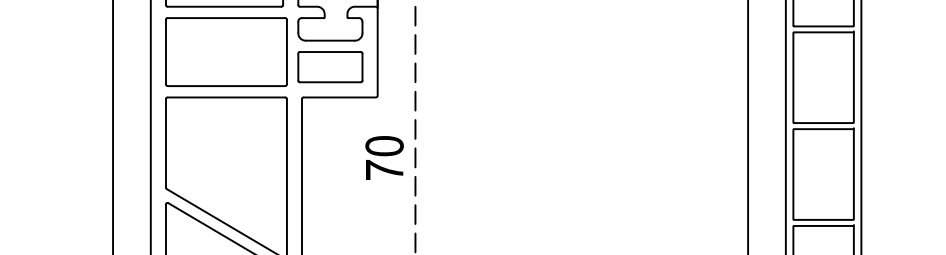
■ 140235



■ 190299
-> 190298



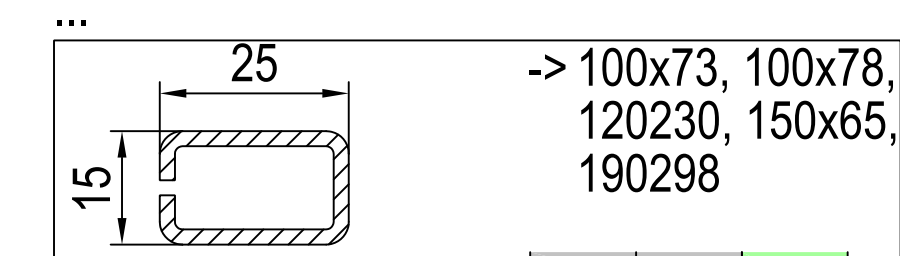
■ 190298
IFI 229107
IXI 428320



■ 140235


Accessories

IFI Reinforcements



■ 229107 2.0mm 1.0 0.4 +90°
-> 100x73, 100x78, 120230, 150x65, 190298
see plan: Reinforcements

IXI Gaskets



■ 429320 bl
-> 190298

- not laminated
- laminated
- foam inside -> □

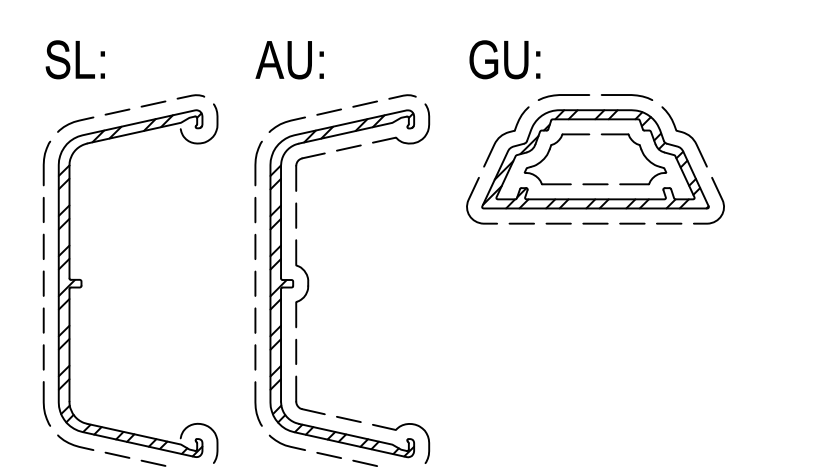
IPI **aluskin** Aluminium shells

-> for

Roller shutter slats
mini-L ~ 8x37mm
max.-L ~ 14x52mm

Brush seals
bl black

SL visible length
AU exterior perimeter
GU overall perimeter



IDEAL 2000 / 4000 / 4000 NL / 5000 / 7000 / 8000

AI Spacer

... see plan: Additional Profiles General

IDEAL 2000 1) 2) 3) 4)
IDEAL 7000 / 8000 2) 4)

620301 620305
IDEAL 2000 - 8000 2) 4)

650250 red
-1mm

650252 red 655251 gn
IDEAL 7000 / 8000 2) 4)

680250 red 685251 gn
IDEAL 4000 1) 2) 3) 4)
IDEAL 5000 2) 4)

640301 640311
0mm 5mm

640320
IDEAL 5000 1) 3)

650016 650321
IDEAL 5000 / 8000 1) 3)

650018 650019
IDEAL 7000 1) 3)

670301
IDEAL 8000 1) 3)

680016
0mm 12mm

680321 650321
IDEAL 8000 2) 4)

680319
-> 180x26, 180x47, 180x69

1) Frame
2) Sash / False mullion sash
3) Mullion
4) Transoms

CI End caps
IDEAL 2000

620001 (CL)
-> 120x63

620029
-> 120x86, 120x82

620414 (MB) 620415 (MB)
-> 110x06, 110x08, 110x09, 120x19

IDEAL 2000 / 4000 / 4000 NL

620097 (RL)
-> 120x97
IDEAL 4000 / 4000 NL

640066 (CL) 640067 (SL) 640065 (CL)
-> 140x66 -> 140x67 -> 140x65

640082
-> 140x76, 140x77, 140x82, 140x84
IDEAL 5000

650029 (CL) 650067 (CL) 650065 (CL)
-> 150x68, 150x69 -> 150x67 -> 150x65
IDEAL 7000

670064 (CL) 670365 (CL) 670465 (CL)
-> 170x64 -> 170x65 -> 170x65
IDEAL 8000

680029 (CL) 680066 (CL) 680064 (CL)
Set
-> 080x89, 180x69 -> 180x66 -> 180x64

DI Connector P-Plastic
DI Connector without sticks

DI 620046 P DI 640046 P
-35x20x1000mm -45x20x1000mm
-> 120x41, 120x45, 140x41, 140x47, 170x41 -> 140x45, 150x44, 170x41, 170x44, 180x44
~universal ~universal

DI 680046 P
-35.4x17.9x1000mm
-> 180x46, 180x47
~universal
IDEAL 2000

DI 629111 P DI 629141 P
IDEAL 2000 / 4000 / 4000 NL

DI 627101 DI 627102 DI 620116
DI 627131 DI 627132 DI 620116
-> 120x41, 120x45 -> 120x41, 120x45
IOI 620900 IOI 620900 IOI 620900
-120xxx... -120xxx... -120xxx...

DI 627107 DI 647057 (NL)
-> 120x35 -> 140x57
IOI 620900 IOI -> 140x53...
-> 140x35 IOI IXI 440357, 449357

DI 647136 DI 677103 DI 647245
-> 140x45 -> 140x45 -> 140x45
IOI 640901 IOI 640901 IOI 640941
-140x4x... -140x4x... -@ ...

DI 649131 P DI 649101 P
DI 647131 DI 647132 DI 647241
DI 647101 DI 647102 DI 647241
-> 140x41, 140x47 -> 140x41, 140x47
IOI 640900 IOI 640900 IOI 640941
-140x4x... -140x4x... -@ ...

DI 647105 DI 647246
-> 140x46 -> 140x46
IOI 640900 IOI 640941
-140x4x... -@ ...
IDEAL 5000

DI 657130 DI 657134
-> 150x44 -> 150x44
IOI 650950 IOI 650950
-150x0x... -150x0x...
IXI 650032, 659032, 659033, 659033 IXI 650032, 659032, 659033, 659033

DI Connector P-Plastic
DI Connector without sticks
IDEAL 7000 / 8000

DI 677146 DI 677145 DI 677244
DI - DI - DI 677244
-> 170x44 -> 170x44 -> 170x44
IOI 670950 IOI 670950 IOI 670950
-170x4x... -170x4x... -@ ...

DI 679141 P DI 677101 DI 677241
DI - DI - DI 677241
-> 170x41 -> 170x41 -> 170x41
IOI 670950 IOI 670950 IOI 670950
-170x4x... -170x4x... -@ ...
IDEAL 7000

DI 677144 DI 677142 DI 687246
-> 170x44 -> 170x41 -> 180x46
IOI 670950 IOI 670950 IOI -
-170x3x... -170x3x... -@ ...
IDEAL 8000

DI 687131 DI 687102
-> 180x44 -> 180x44
IOI 680950 IOI 680950
-180x0x... -180x0x...
IXI 650032, 659032, 659033, 659033 IXI 650032, 659032, 659033, 659033

DI 689147 P DI 689149 P
-> 180x47 -> 180x47
IOI 680901 IOI 680901
-180x26... -180x26...

EI Corner connector
IDEAL 2000 / 4000

640938 620125 620126
-> IEI IFI 229125, 229129 IFI 229126, 229131
IDEAL 4000

640032 640038
IFI 249009 IFI 229135, 229137
IDEAL 4000 - 8000

640031
IFI 229115

FI see plan: Reinforcements

HI Installation / mounting anchor
see plan: Additional Profiles Structural profiles

II Lifter

620440 640441
-> Sash -> Frame
IDEAL 2000 IDEAL 4000 - 8000

620441 624015
-> Frame -> Frame
IDEAL 4000 - 8000

640015 640012
-> Frame -> Frame

JI Bonding of pane

H [mm] H [mm]
640033 red 3 640012 wh 12
640034 ye 4 640013 red 13
640035 gn 5

H [mm] H [mm]
640113 red 13 640015 wh 12
IDEAL 2000 - 8000 640019 ye 14

642262 bl 642261 bl 642263 bl
Nord-line

642230 bl 642233 bl 642232 bl
energeto 5000 view

652080 bl 652081 bl 652082 bl
652083 bl

LI Basic ventilation system
IDEAL 2000 - 8000

680350
Basic Air max

OI Mounting accessories
IDEAL 2000

620900
-> DI 627101, 627102, 627107, 629111
-> DI 620116, 627131, 627132, 629141
@ IDEAL 2000 + 8mm - @ IDEAL 4000 / 5000
IDEAL 4000 / 5000

640900 640901 640941
-> DI 647131, 647132, 649131 -> DI -
-> DI 647101, 647102, 647105, 649101 -> DI 647241, 647245, 647246

650950
-> DI 657130, 657134
-> DI 657030
IDEAL 7000 / 8000

670950
-> DI 677101, 677145, 677146, 679141
-> DI 677142, 677144, 677241, 677244
IDEAL 8000

680950 680901
-> DI 687131 -> DI 689147, 689149

PI see plan: aluskin
Aluminium shells
IDEAL 4000 - 8000

IXI Gaskets

459922 bl 459925 bl 459923 bl
pw 459925 pw - pw
453925 oc

429330 bl 429338 bl
420330 wh - pw

IDEAL 2000

429921 bl 429340 bl 429320 bl
427921 pw 420340 pw - pw
Standard Standard Standard
IDEAL 4000 - 8000

479015 bl 449980 bl 449340 bl
477015 pw 447980 pw 447340 pw
Standard Standard Standard

449343 bl 447343 pw 449357 (NL)
IDEAL 5000 / 8000 IDEAL 4000 NL
DI 647057

ZI Special accessories
IDEAL 5000

650292
-43x20x1000mm
-> 050x04

650290
-14x34x1000mm
-> 050x03
IDEAL 4000 / 8000

650295
-40x27x1000mm
-> 050x20, 150x20, 150x22, 150x26, 150x27
-> 080x20, 180x20, 180x27

IDEAL 8000

680291
-19x24x1000mm
-> 080x04, 080x05

680290
-22.5x32.5x1000mm
-> 080x04, 080x05

680289
-52x20x1000mm
-> 080x04, 180x04

Aluminium threshold / Aluminium step protection

CI End caps IDEAL 4000 / (MB) / NL

646052 gr 646062 gr
ITI 247052 IUI 249062

OI Aluminium step protection
IDEAL 2000 / 4000 / 5000

227300 227303 227301 227303
227305 (CL) 227303 (CL)

TI Aluminium weather bar

247052 249089
CI 646052 IXI 440036

UI Aluminium threshold
IDEAL 2000 -> 60mm

229060 gr 20/60mm
249060 gr 20/70mm
269060 gr 20/85mm
249058 gr 20/120mm
for main entrance door opening outwards
IDEAL 4000 / 4000 (MB) / 4000 NL
-> 70mm Sash

249062
CI 646062
IUI 249058, 249060, 269060
IXI 447340, 449340, 447343, 449343

227301
IXI 420340, 429340

227302
IXI 420340, 429340

227306
IXI 420340, 429340

IUI Aluminium threshold

699912
IDEAL 8000

287060 287061
IUI 287061 IUI 287060
IXI 689360

IVI Connection for threshold
IDEAL 2000 -> 60mm

626070 gr
Set
-> 120x07
IDEAL 4000 / 5000 -> 70mm

646022 gr 646070 gr
Set Set
-> 040x02 -> 140x08
IXI 446071 IXI 446071

646071 gr 646072 gr
Set Set
-> 040x07, 140x07, 150x02 -> 140x03, 050x03, 150x03
IXI 446071 IXI 446071

646079 gr 646076 gr
Set Set
-> 040x92 -> 140x91
IDEAL 4000 NL -> 120mm

646077 gr
Set
-> 140x53
IDEAL 7000 / 8000 -> 85mm

686475 gr 686471 gr
Set Set
-> 170x02 -> 070x03, 170x03, 080x05, 180x05
IXI 486071 IXI 486071

686474 gr
Set
-> 080x04, 180x04
IXI 486071

MII Mullion coupler
IDEAL 2000
-> 60mm

626072 gr
Set
-> 120x41, 120x45
IDEAL 4000 / 5000
-> 70mm

646074 gr 646073 gr
Set Set
-> 140x41 -> 140x47

646075 gr
Set
-> 140x45, 150x44
IDEAL 7000 / 8000
-> 85mm

686473 gr
Set
-> 170x44, 180x44

IXI Gaskets

499910 bl 156252 gr
-> MD

440036 wh 429340 bl 420340 pw
ITI 249089 -> IUI 227301, 227302, 227306

446091 gr 449343 bl 476091 gr 447343 pw
-> Frame -> Mullion IUI 249062

446092 gr 449340 bl 476092 gr 447340 pw
-> Sash IUI 249062

486071 gr 446071 gr
IUI 686471, 686474, 686475 -> IUI 646022, 646070, 646071, 646072

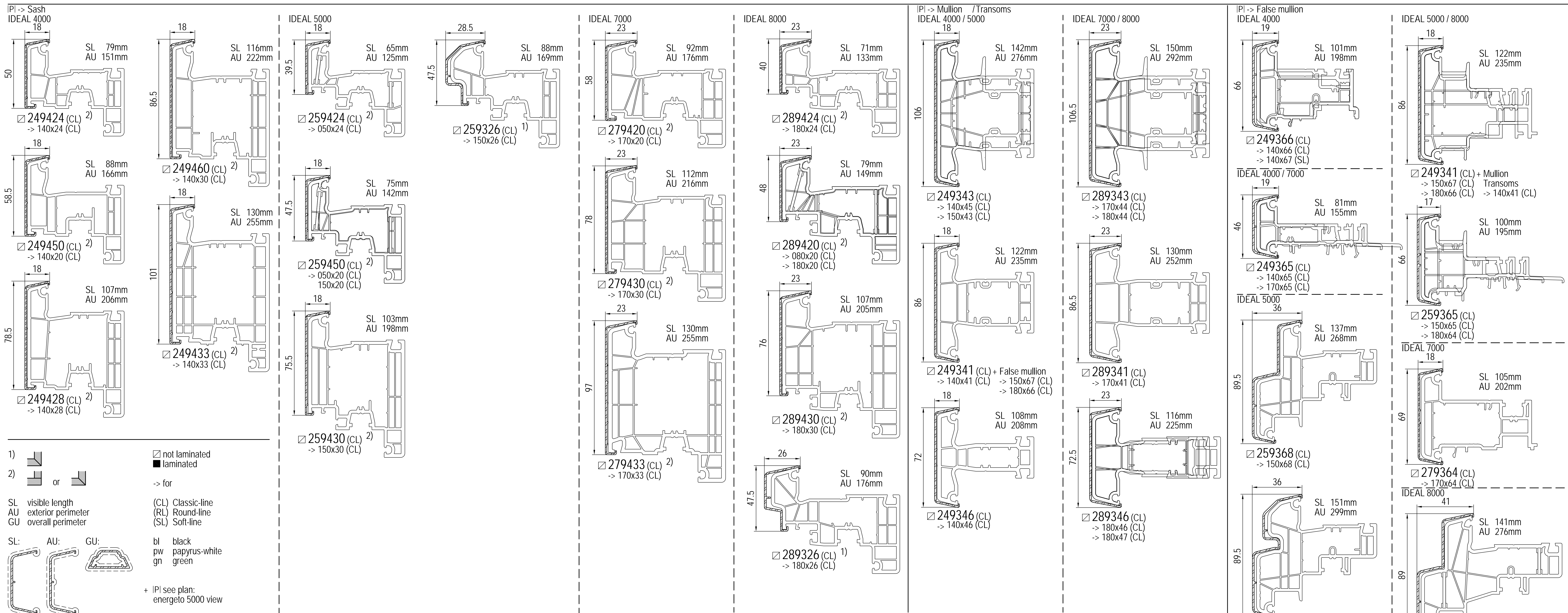
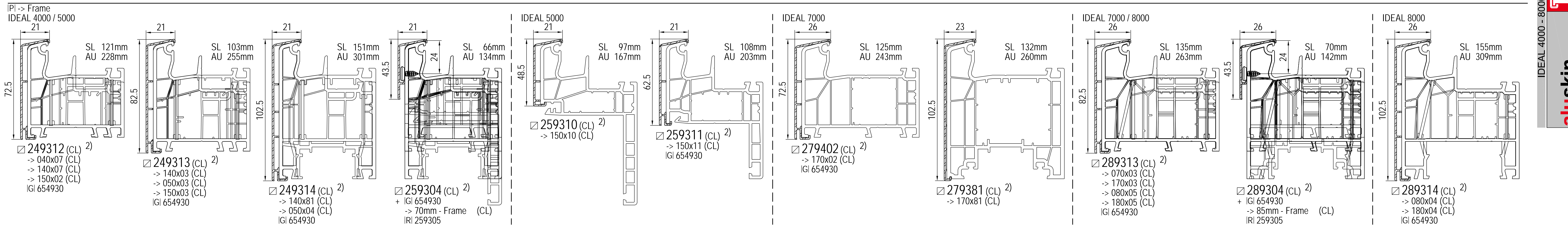
689360 gr (A)
Set
IUI 287060

■ not laminated (CL) Classic-line ye yellow
■ laminated (RL) Round-line gn green
-> for (MB) Monobloc gr grey
Glazing rebate (NL) IDEAL 4000 NL red red
-> AI or IJI = Option bl black
-> IJI -> Nord-line pw papyrus-white
-> IJI -> energeto 5000 view wh white

Construction depth
-> 60mm -> IDEAL 2000
-> 70mm -> IDEAL 4000 / 5000
-> 85mm -> IDEAL 7000 / 8000
-> 120mm -> IDEAL 4000 (MB) / 4000 NL

-> AD for backstop gasket systems
-> IDEAL 2000 / 4000 / 7000
-> MD for centre gasket systems
-> IDEAL 5000 / 8000

IPI aluskin Aluminium shells



Additional Profiles

IPI -> Extension profile

SL 45mm AU 141mm
 □ 249335 (CL) 2
 -> 120242, 140205, 180201

SL 70mm AU 197mm
 □ 249360 (CL) 2
 -> 120221, 140207, 180203

SL 110mm AU 282mm
 □ 249310 (CL) 2
 -> 140208, 180204

Couplings -> IPI

120224 IHI 642025, 645050
 449140 bl IHI 642025

IHI Installation / mounting anchor

bl 642025 3mm
 gn 645050 5mm

IPI -> Exterior window sills

SL 114mm AU 239mm
 □ 249449 aluminium
 -> 120249 -> 70mm

IRI Aluminium roller shutter guides + Accessories see plan

Additional Profiles:
 260406, 260407 4/4
 259305 -> IPI 259304, 289304 4/4

SI Aluminium profiles + Accessories see plan

Additional Profiles:
 229080 1/4
 289210, 289211 2/4
 229246 3/4
 259306 -> IPI aluskin 4/4

ITI Aluminium weather bar

SL 40mm AU 106mm
 □ 259082 (CL)
 -> General
 -> ITI 259081
 IGI 659923 screw / Clip

659923 -> aluminium -> ITI 259082

Accessories

IGI Nipple screw / Clip

... 209301, 249312, 249313, 249314, 259304, 259311, 259403, 259404, 279402, 289304, 289313, 289314
 654930 -> aluminium -> IPI ...

IOI Mounting accessories

640951 -> IPI aluskin

IXI Gaskets

459951 bl or 449986 bl
 - pw or 447986 pw
 -> Glazing -> Glazing

429320 bl or 449346 bl
 - pw or 447346 pw
 -> Stop -> Stop

FI Reinforcements	$\begin{matrix} x \\ y \end{matrix}$	$\begin{matrix} s \\ l_x \\ l_y \end{matrix}$	$\begin{matrix} l_x \\ l_y \end{matrix}$	for	$\begin{matrix} x \\ y \end{matrix}$	$\begin{matrix} s \\ l_x \\ l_y \end{matrix}$	$\begin{matrix} l_x \\ l_y \end{matrix}$	for	$\begin{matrix} x \\ y \end{matrix}$	$\begin{matrix} s \\ l_x \\ l_y \end{matrix}$	$\begin{matrix} l_x \\ l_y \end{matrix}$	for	$\begin{matrix} x \\ y \end{matrix}$	$\begin{matrix} s \\ l_x \\ l_y \end{matrix}$	$\begin{matrix} l_x \\ l_y \end{matrix}$	for	$\begin{matrix} x \\ y \end{matrix}$	$\begin{matrix} s \\ l_x \\ l_y \end{matrix}$	$\begin{matrix} l_x \\ l_y \end{matrix}$	for	$\begin{matrix} x \\ y \end{matrix}$	$\begin{matrix} s \\ l_x \\ l_y \end{matrix}$	$\begin{matrix} l_x \\ l_y \end{matrix}$	for																					
IDEAL 8000 IDEAL 7000 IDEAL 5000 energeto 5000 view IDEAL 4000 IDEAL 4000 NL Nord-line IDEAL 2000 Lift-and-slide door lift-slide Sliding Window smart-slide multi-slide easy-slide mono-slide Folding Shutter Additional Profiles	14.5	32.5	1.5mm	0.1 1.0	100062	31.5	49.5	2.0mm	4.5 6.1	120x32	35	40	2.0mm	4.0 5.4	140x03 140x18 180x18	35	35	2.0mm	4.5 4.5	140x34 140x84	30	30.5	1.5mm	1.7 0.9	140x94	34.5	22.5	1.5mm	2.0 0.4	180x26 180x69	140	140	2.0mm	2.06 2.1	170080	25	30	0.8mm	0.7 1.3	190238 190241					
x y = l _x l _y	29	29	2.0mm	2.6 1.2	(IND) 100x66	27	27	2.0mm	0.8 1.2	100075	27	27	1.5mm	2.1 2.1	120x33, 120x35, 120x109, 140x33, 140x35, 170x80, 170x81	30	30	1.5mm	1.8 0.6	140x31	48	48	2.0mm	5.3 5.1	140x95	40	40	1.5mm	3.1 0.8	180x26 180x69	30	30	2.0mm	4.3 1.3	180x24	56	56	1.5mm	6.6 0.2	180x24	30	25	1.5mm	1.9 1.5	+90°
Depending on the installation situation, some reinforcements may have to be turned 90°.	20	27	2.0mm	0.8 1.2	100075	27	27	1.5mm	2.3 0.9	100079	27	27	1.5mm	2.1 2.1	120x33, 120x35, 120x109, 140x33, 140x35, 170x80, 170x81	30	30	1.5mm	1.8 0.6	140x31	48	48	2.0mm	5.3 5.1	140x95	40	40	1.5mm	3.1 0.8	180x26 180x69	30	30	2.0mm	4.3 1.3	180x24	56	56	1.5mm	6.6 0.2	180x24	30	25	1.5mm	1.9 1.5	+90°
In this case, the l _x - and l _y -values have to be exchanged:	20	27	2.0mm	0.8 1.2	100075	27	27	1.5mm	2.3 0.9	100079	27	27	1.5mm	2.1 2.1	120x33, 120x35, 120x109, 140x33, 140x35, 170x80, 170x81	30	30	1.5mm	1.8 0.6	140x31	48	48	2.0mm	5.3 5.1	140x95	40	40	1.5mm	3.1 0.8	180x26 180x69	30	30	2.0mm	4.3 1.3	180x24	56	56	1.5mm	6.6 0.2	180x24	30	25	1.5mm	1.9 1.5	+90°
+90° = l _x l _y or l _y l _x	20	27	2.0mm	0.8 1.2	100075	27	27	1.5mm	2.3 0.9	100079	27	27	1.5mm	2.1 2.1	120x33, 120x35, 120x109, 140x33, 140x35, 170x80, 170x81	30	30	1.5mm	1.8 0.6	140x31	48	48	2.0mm	5.3 5.1	140x95	40	40	1.5mm	3.1 0.8	180x26 180x69	30	30	2.0mm	4.3 1.3	180x24	56	56	1.5mm	6.6 0.2	180x24	30	25	1.5mm	1.9 1.5	+90°
1) (aluminium) x 1/3 - l _x l _y steel steel ≠ aluminium = (l _x) (l _y) (cm ⁴)	20	27	2.0mm	0.8 1.2	100075	27	27	1.5mm	2.3 0.9	100079	27	27	1.5mm	2.1 2.1	120x33, 120x35, 120x109, 140x33, 140x35, 170x80, 170x81	30	30	1.5mm	1.8 0.6	140x31	48	48	2.0mm	5.3 5.1	140x95	40	40	1.5mm	3.1 0.8	180x26 180x69	30	30	2.0mm	4.3 1.3	180x24	56	56	1.5mm	6.6 0.2	180x24	30	25	1.5mm	1.9 1.5	+90°
2) punched out	20	27	2.0mm	0.8 1.2	100075	27	27	1.5mm	2.3 0.9	100079	27	27	1.5mm	2.1 2.1	120x33, 120x35, 120x109, 140x33, 140x35, 170x80, 170x81	30	30	1.5mm	1.8 0.6	140x31	48	48	2.0mm	5.3 5.1	140x95	40	40	1.5mm	3.1 0.8	180x26 180x69	30	30	2.0mm	4.3 1.3	180x24	56	56	1.5mm	6.6 0.2	180x24	30	25	1.5mm	1.9 1.5	+90°
3) pierced hole	20	27	2.0mm	0.8 1.2	100075	27	27	1.5mm	2.3 0.9	100079	27	27	1.5mm	2.1 2.1	120x33, 120x35, 120x109, 140x33, 140x35, 170x80, 170x81	30	30	1.5mm	1.8 0.6	140x31	48	48	2.0mm	5.3 5.1	140x95	40	40	1.5mm	3.1 0.8	180x26 180x69	30	30	2.0mm	4.3 1.3	180x24	56	56	1.5mm	6.6 0.2	180x24	30	25	1.5mm	1.9 1.5	+90°
IEI Corner connector see plan: Accessories IDEAL 2000 - 8000	20	27	2.0mm	0.8 1.2	100075	27	27	1.5mm	2.3 0.9	100079	27	27	1.5mm	2.1 2.1	120x33, 120x35, 120x109, 140x33, 140x35, 170x80, 170x81	30	30	1.5mm	1.8 0.6	140x31	48	48	2.0mm	5.3 5.1	140x95	40	40	1.5mm	3.1 0.8	180x26 180x69	30	30	2.0mm	4.3 1.3	180x24	56	56	1.5mm	6.6 0.2	180x24	30	25	1.5mm	1.9 1.5	+90°
IH Installation / mounting anchor see plan: Additional Profiles Structural profiles	20	27	2.0mm	0.8 1.2	100075	27	27	1.5mm	2.3 0.9	100079	27	27	1.5mm	2.1 2.1	120x33, 120x35, 120x109, 140x33, 140x35, 170x80, 170x81	30	30	1.5mm	1.8 0.6	140x31	48	48	2.0mm	5.3 5.1	140x95	40	40	1.5mm	3.1 0.8	180x26 180x69	30	30	2.0mm	4.3 1.3	180x24	56	56	1.5mm	6.6 0.2	180x24	30	25	1.5mm	1.9 1.5	+90°
(IND) aluplast India	20	27	2.0mm	0.8 1.2	100075	27	27	1.5mm	2.3 0.9	100079	27	27	1.5mm	2.1 2.1	120x33, 120x35, 120x109, 140x33, 140x35, 170x80, 170x81	30	30	1.5mm	1.8 0.6	140x31	48	48	2.0mm	5.3 5.1	140x95	40	40	1.5mm	3.1 0.8	180x26 180x69	30	30	2.0mm	4.3 1.3	180x24	56	56	1.5mm	6.6 0.2	180x24	30	25	1.5mm	1.9 1.5	+90°

Main Profiles

Frame

■ **100x52 (CL)**
AI 602013
FI 209001, 229106
PI 209352, 209452
UI 20x101

■ **100x53 (CL)**
AI 602013
FI 209001, 229117, 229119
PI 209353, 209453
UI 20x101

■ **100x54 (CL)**
AI 602013
DI 605105 ->20x101
FI 209001, 209002, 209009, 259906
PI 209354, 209454
UI 20x101

Sash

■ **100x55 (CL)**
AI 650250, 650251
FI 209005
PI 209355

■ **140x20 (CL)** ->140x76
AI 640301, 640311, 640320
FI 229023, 229024, 229025, 229026, 229027, 229028, 249026
PI 249450

■ **140x30 (CL)** ->140x77
AI 640301, 640311, 640320
FI 229114, 229115, 249031
PI 249460

Transoms

■ **100x56 (CL)**
AI 602013
FI 209002, 209009, 209014
PI 249346, 209452
UI 20x101

■ **100x57 (CL)**
AI 602013
FI 209002, 209009
PI -

■ **100x59 (CL)**
AI 602013
FI 209003, 209010
PI -

False mullion

■ **140x67 (SL)**
CI 640067
FI 259094
PI 249366
XI 447340, 449340

■ **100x58 (CL)**
AI 602013
FI 209003, 209010, 209015
PI 209358, 209453
UI 20x101

■ **140x45 (CL)**
AI 640301, 640311, 640320
DI 677133 DI 677103 ~140x4x...
DI 640046 ~ universal
FI 249034, 249035
PI 249343
UI 249058, 249060, 269060
MI 646075

Reinforcements

(lx=0.4*)209001 s=1.2
-> 100x52, 100x53, 100x54

(lx=0.8*)229106 s=2.0
-> 100x52

(lx=1.1*)209002 s=1.5
-> 100x54, 100x56, 100x57

(lx=ly=4.0/5.0*)229114 s=1.5
-> 140x30, 140x31

(lx=ly=5.0/6.4*)229115 s=2.0
-> 140x30, 140x31

(lx=1.6*)209003 s=1.5
-> 100x58, 100x59

(lx=0.9*)229117 s=2.0
-> 100x53

(lx=ly=0.7/0.2*)209005 s=1.5
-> 100x55

(lx=2.2*)209009 s=2.5
-> 100x54, 100x56, 100x57

(lx=0.7*)229119 s=1.5
-> 100x53

(lx=4.0*)209010 s=2.5
-> 100x58, 100x59

(lx=7.9*)249013 s=2.0
-> 140x31

(lx=0.4*)209014 s=1.5
-> 100x56
aluminium

(lx=5.1*)249026 s=3.0
-> 140x20

(lx=0.5*)209015 s=1.5
-> 100x58
aluminium

(lx=ly=1.2/0.7*)209026 s=3.0
-> 100x220, 100x221, 100x222

(lx=2.3*)229023 s=1.5
-> 140x20

(lx=1.6*)229025 s=1.0
-> 140x20

(lx=6.1*)249034 s=1.25
-> 140x45

(lx=9.2*)249035 s=2.0
-> 140x45

(lx=3.0*)229024 s=1.5
-> 140x20

(lx=3.8*)229026 s=2.0
-> 140x20

(lx=3.4*)259906 s=2.0
-> 100x54

(lx=3.1*)259094 s=2.0
-> 140x67

(lx=1.7*)229027 s=1.5
-> 140x20

(lx=2.1*)229028 s=2.0
-> 140x20

Aluminium shells

209353
-> 100x53

249331
-> 140x31

209354
-> 100x54

249343
140x45

209355
-> 100x55

249346
-> 100x56

209358
-> 100x58

249366
140x67

209452
-> 100x52
-> 100x56

209453
-> 100x53
-> 100x58

209454
-> 100x54

249460
-> 140x30

249443
-> 140x45

Additional Profiles

Bay window profiles

100223
->209043

100270
->209044
->209041

100271
->209041

Sill profiles

100221
FI 209026

100220
FI 209026

100222

Glazing Beads

120836 bl
120886 pw
Glazing
-> 24 mm

120636 bl
120666 pw
Glazing
-> 28 mm

120832 bl
120862 pw
Glazing
-> 36 mm

140631 bl
140661 pw
Glazing
-> 40 mm

Accessories

Threshold end cap
Pairs, black

605105
-> 20x101

Ramp end cap

60x102
-> 20x102

Baypole

609040 (set)
->209043
->209041

False mullion end cap

640067
-> 140x67

Sill end caps

600020
alt. code 600221
->100221

600019
alt. code 600220
->100221

600021
alt. code 600222
->100222

Nipple screw / Clip

659918
-> 120100

652923
-> 140107

Weather bar end caps

640107
-> 140107

650914
-> 120100

Single french door striker

60x103

Double french door striker

60x104

Gaskets

XI 459951 bl
-> Glazing

XI 449986 bl
-> Glazing

XI 429320 bl
-> Stop

XI 449346 bl
-> Stop

Brush seals

XI 409104
-> 20x104

Spacer

602013
-> Frame
-> Sash
-> Transoms

600010 620441 600011

Aluminium profiles

Bay window, alum. profiles

209042 120° - 170°
lx/ly = 0.8(2.6)/0.06(0.2)
->209041

209041 120° - 170°
lx/ly = 2.1(6.3)/0.9(2.8) cm4
->100270
->100271

209044
lx/ly = 0.2(0.8)/2.9(8.7) cm4
->100270

209043
lx/ly = 4.1(12.5)/4.1(12.5) cm4
->100223

Aluminium threshold

20x101
Silver -> 207101 (x 3 m)
Gold -> 203101 (x 3 m)
Black -> 203101 (x 3 m)

DI 605105 ->100x54
TI 20x102
UI 10x103

Aluminium ramp

20x102
-> 20x101

Silver -> 207102 (x 3 m)
Gold -> 202102 (x 3 m)
Black -> 203102 (x 3 m)

Aluminium weather bar

20x104
-> 100x08
-> 100x09
XI 409104

White -> 200104 (x 3 m)
Black -> 203104 (x 3 m)
Silver -> 207104 (x 3 m)
Brown -> 201104 (x 3 m)
Caramel -> 205104 (x 3 m)

Cover strip

10x103
->20x101

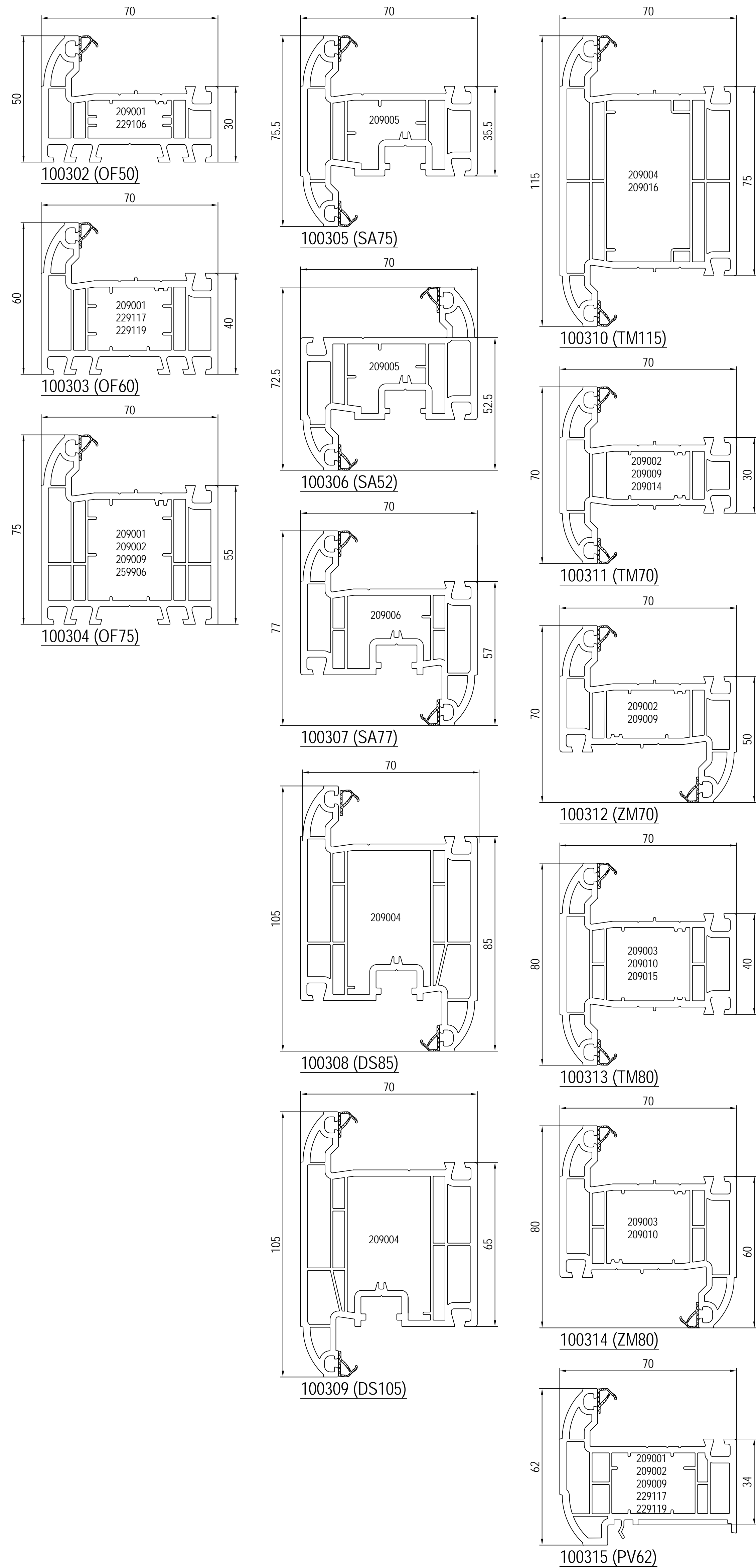
Weather Bar

120100
GI 659918

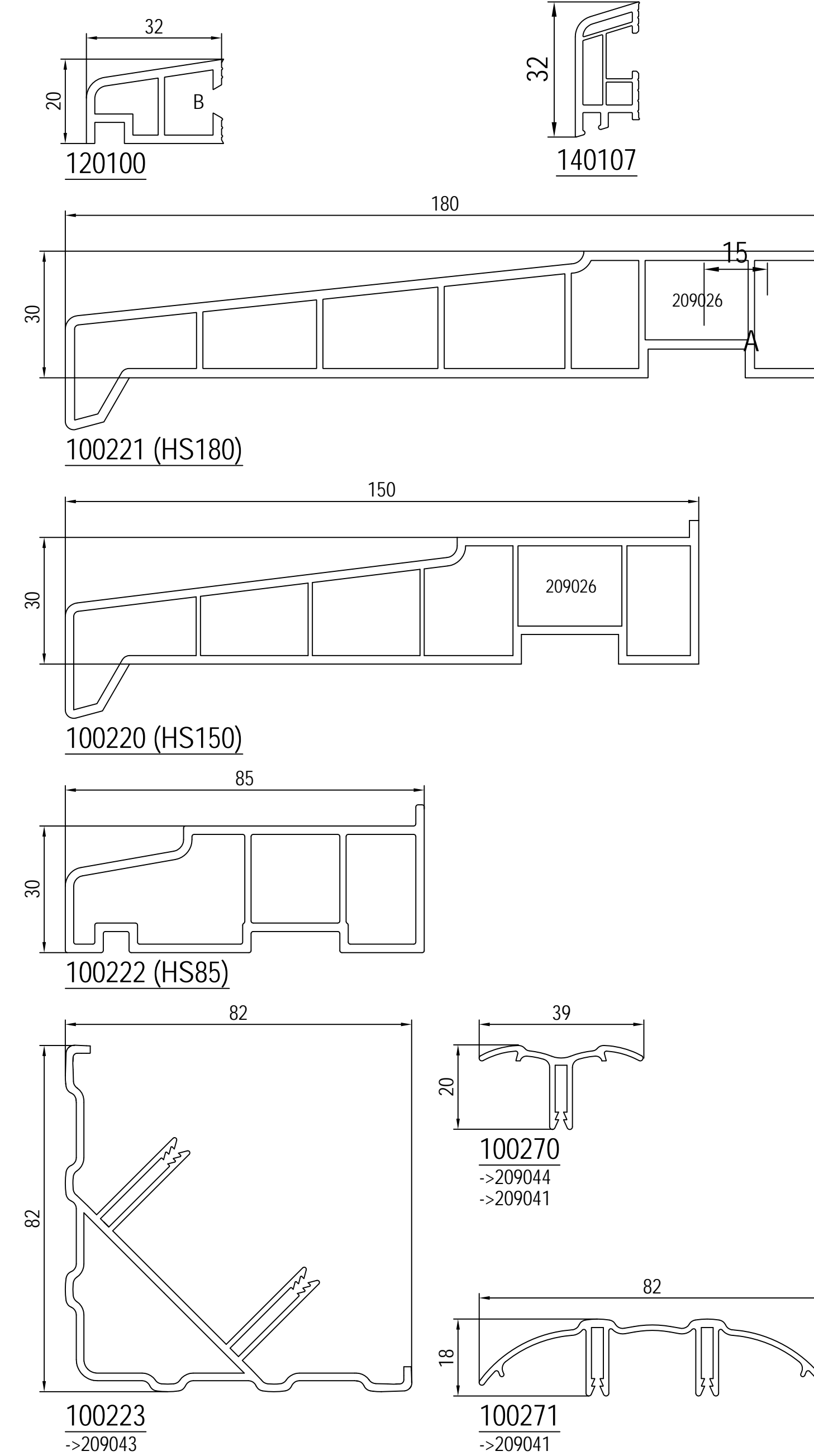
140107
GI 652923

- not laminated
- laminated
- AI Spacer
- CI End caps
- DI Connector
- FI Reinforcements
- PI **aluskin** Aluminium shells
- UI Aluminium threshold
- XI Gaskets
- GI Nipple screw / Clip
- TI Aluminium weather bar
- > for
- (CL) Classic-line

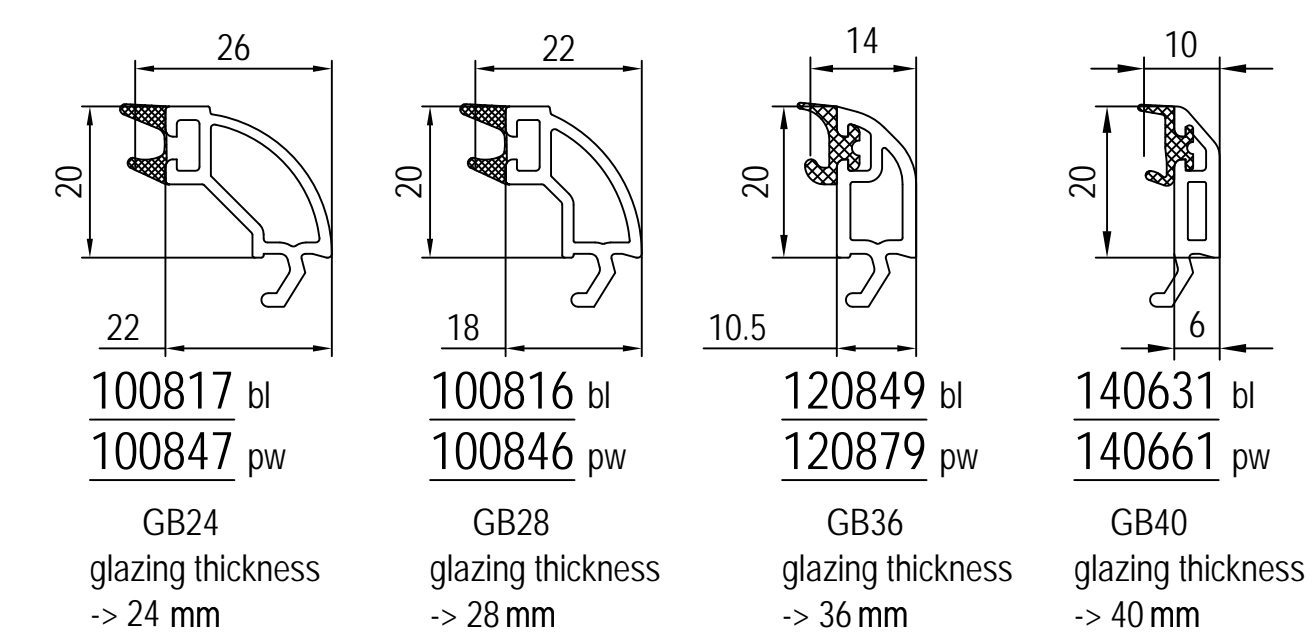
Main Profiles



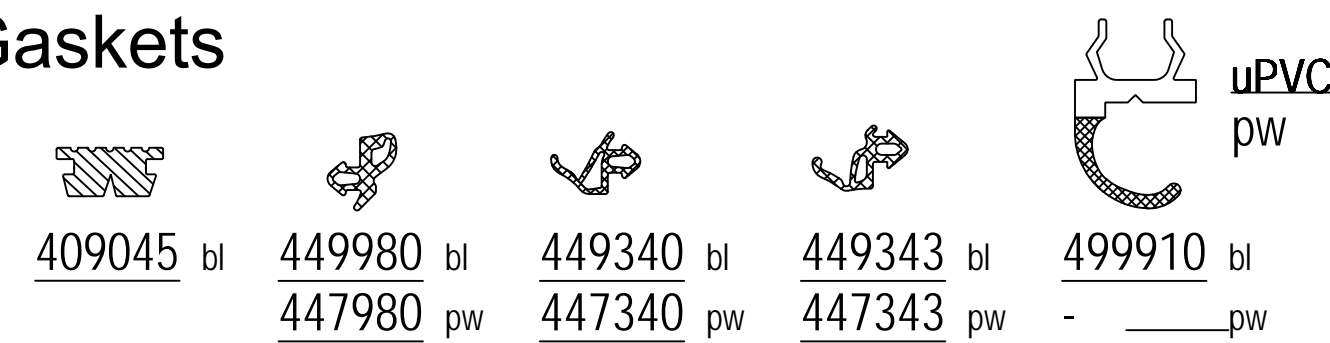
Additional Profiles



Glazing beads

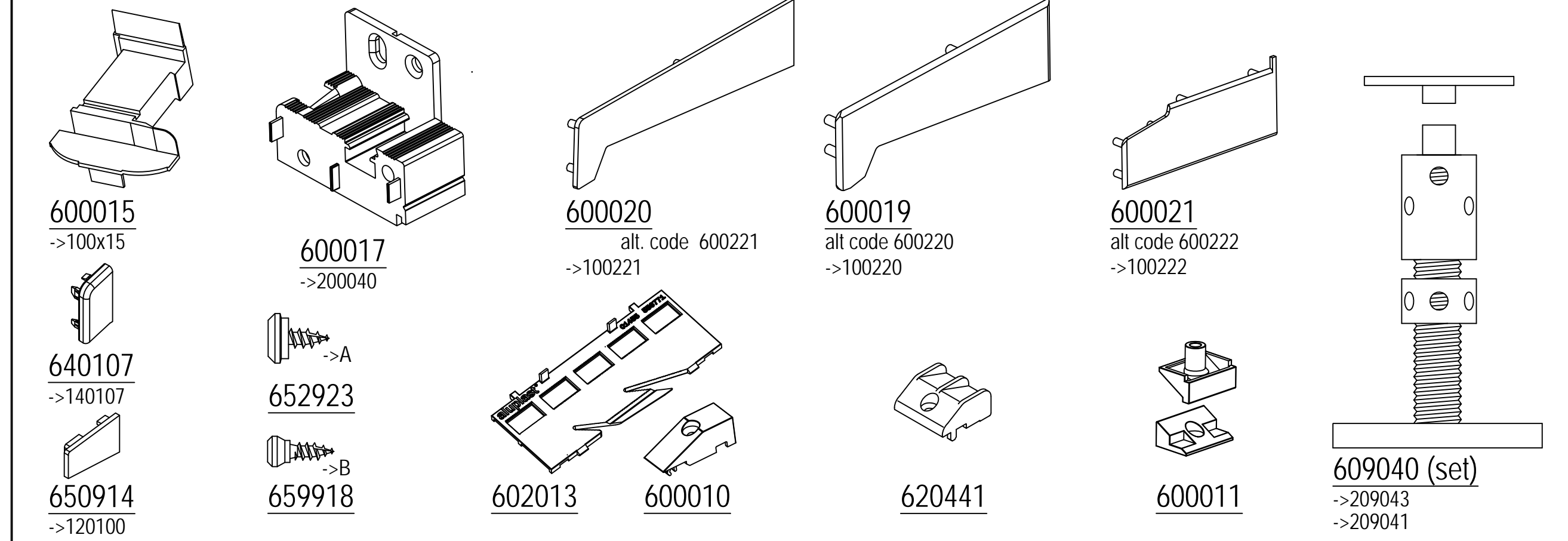


Gaskets

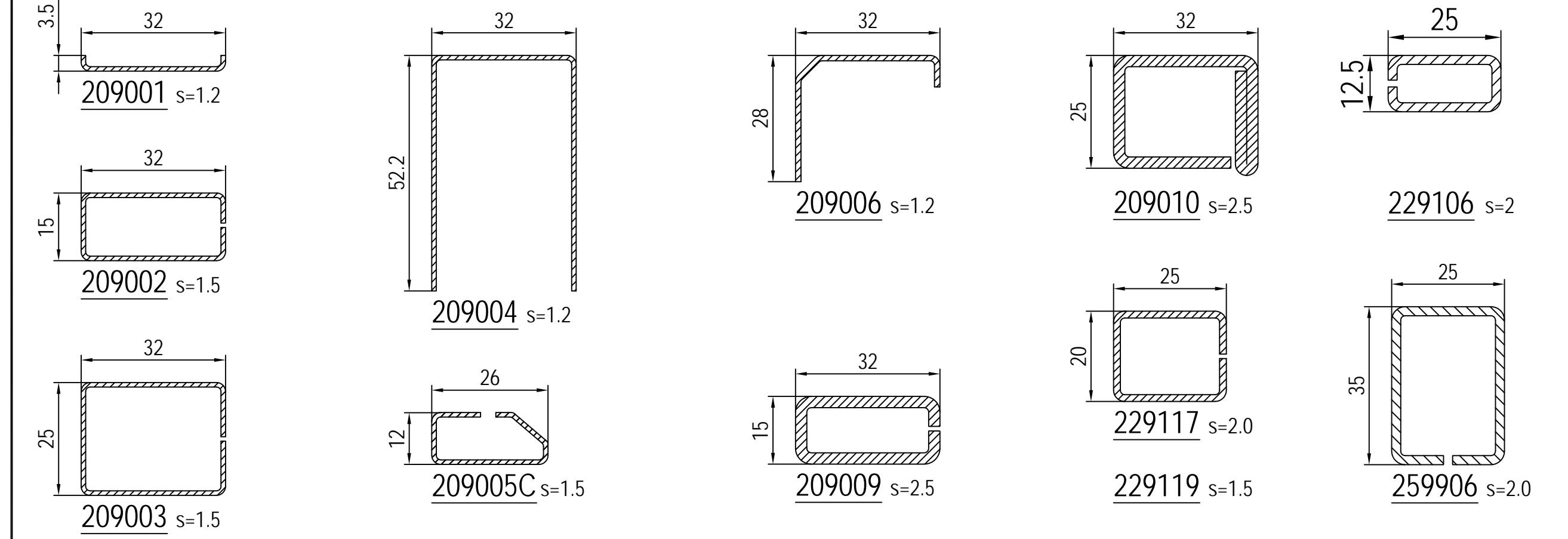


Accessories

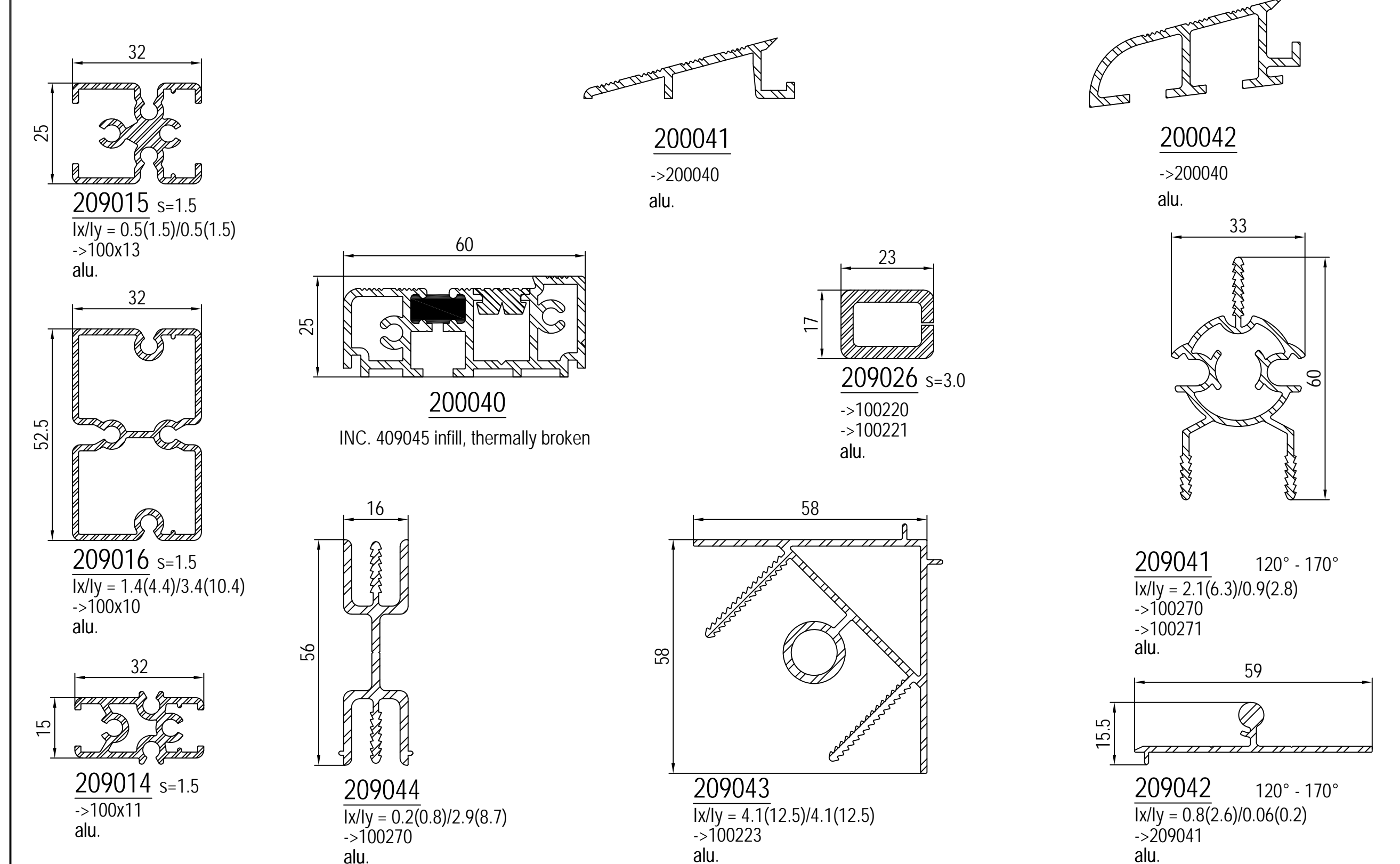
Accessories



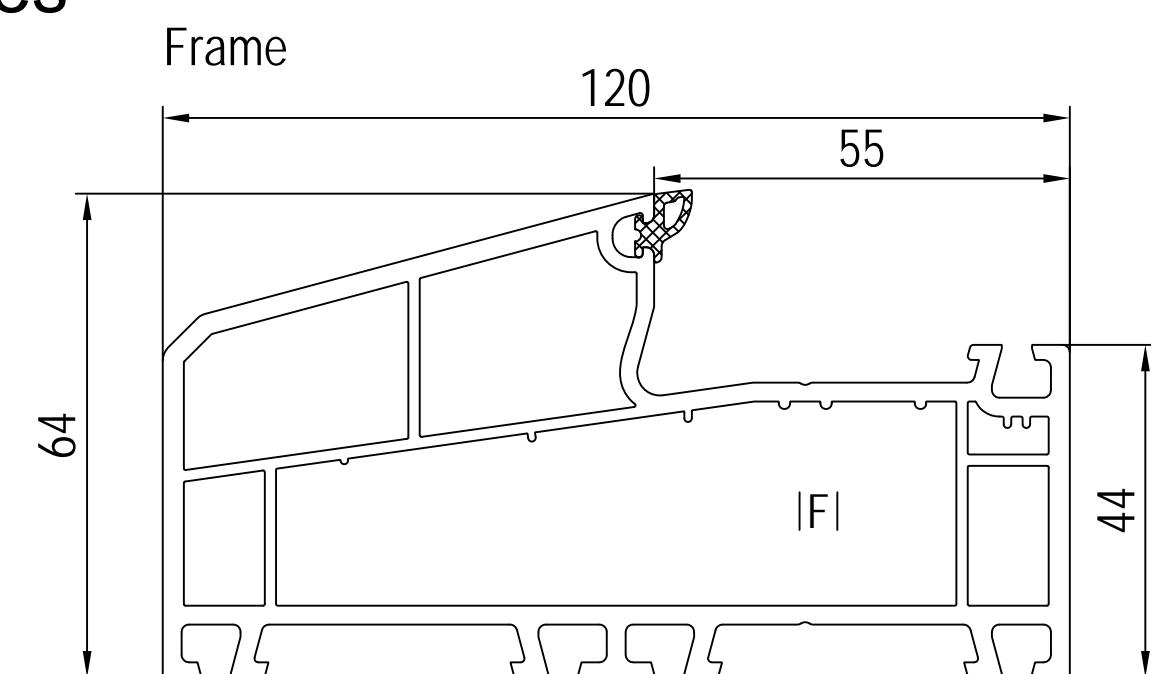
Reinforcements



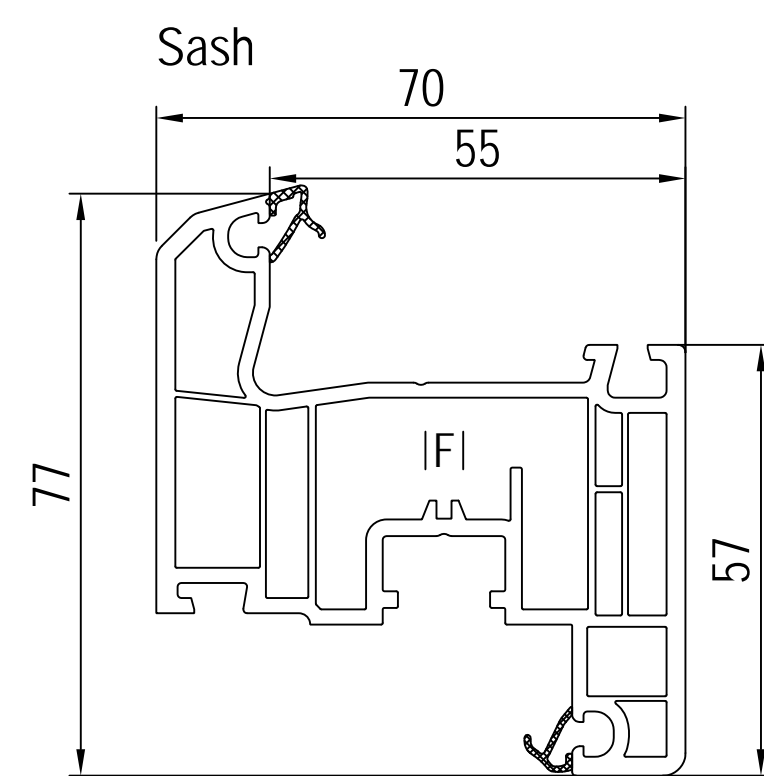
Aluminium profiles



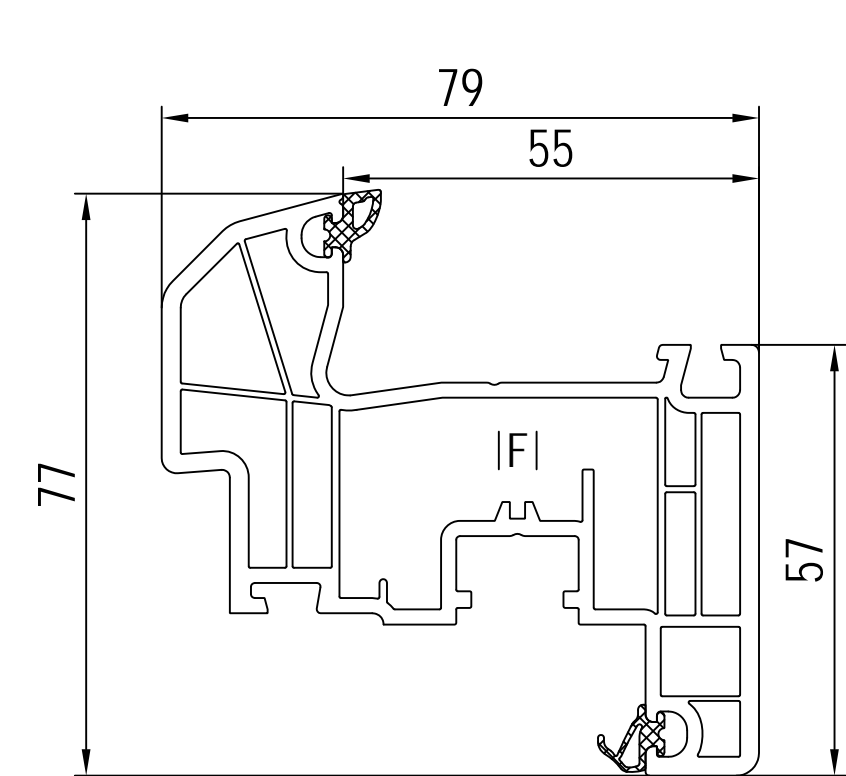
Main Profiles



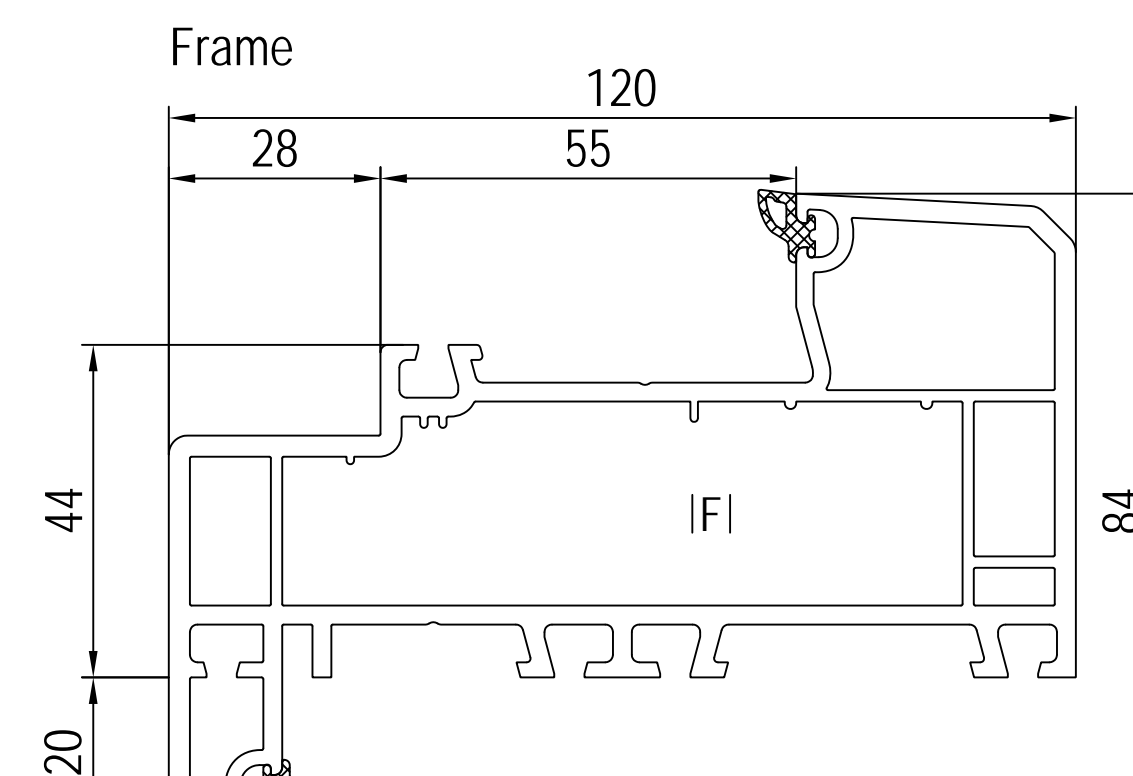
■ 140x53 (CL)(NL)
■ 148x53 (CL)(NL)
IAI 640301, 640311, 640320
IFI 249054, 259906
IUI 249058
IVI 646077



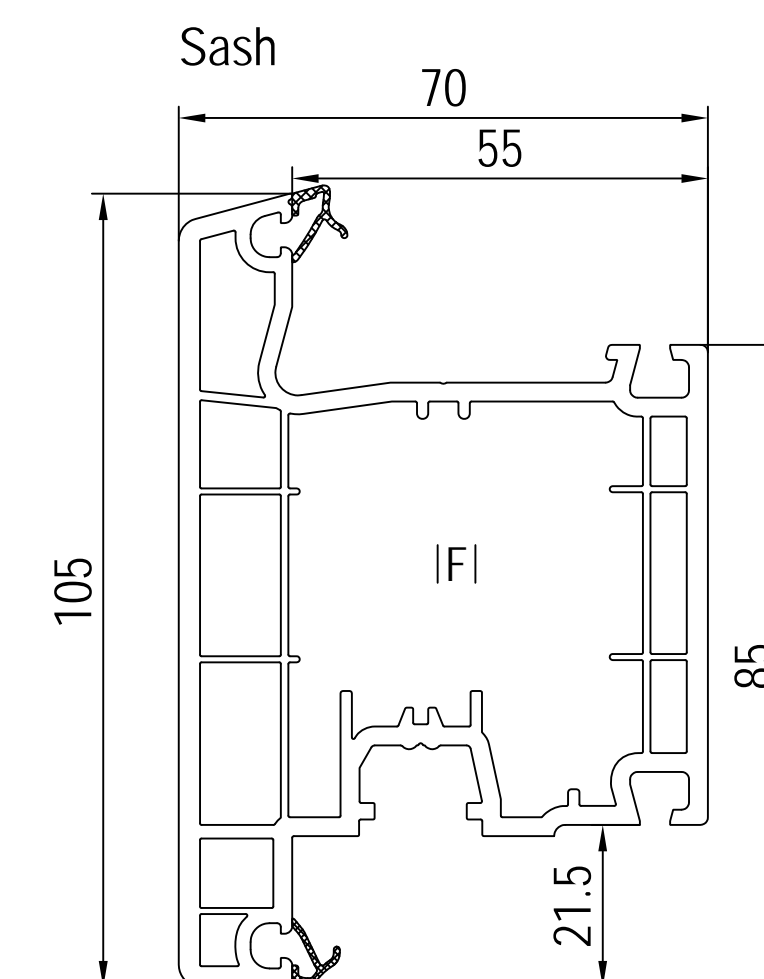
■ 140x20 (CL)
■ 148x20 (CL)
IAI 640301, 640311, 640320
IFI 229023, 229024, 229025, 229026, 229027, 229028, 249026



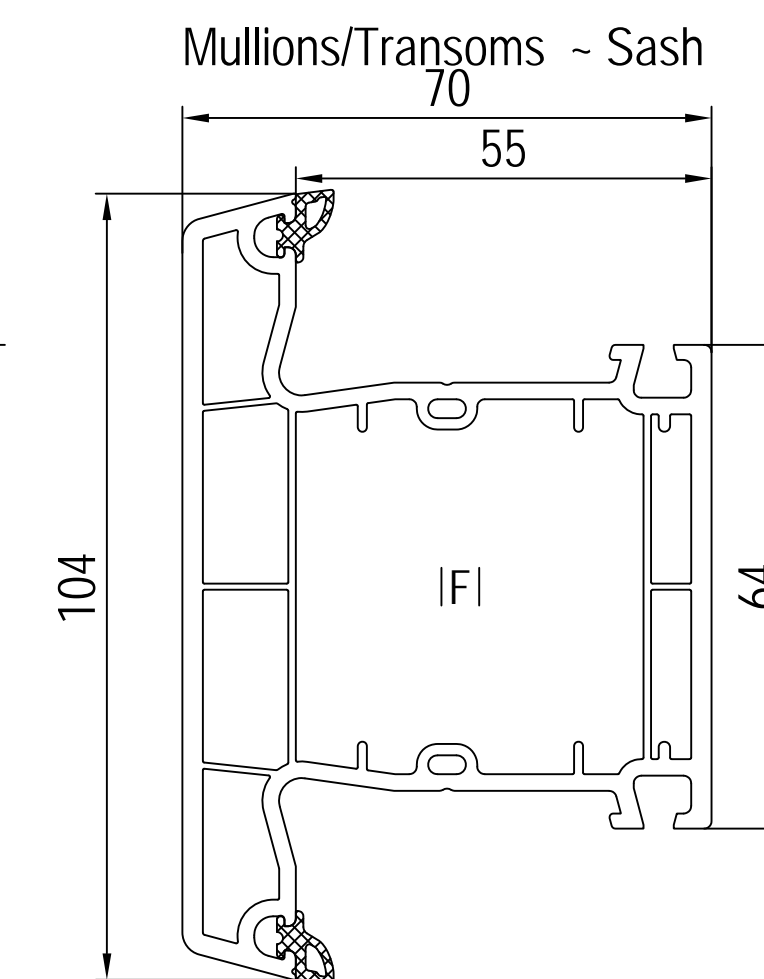
■ 140x26 (CL)
■ 148x26 (CL)
IAI 640301, 640311, 640320
IFI 229023, 229024, 229025, 229026, 229027, 229028, 249026



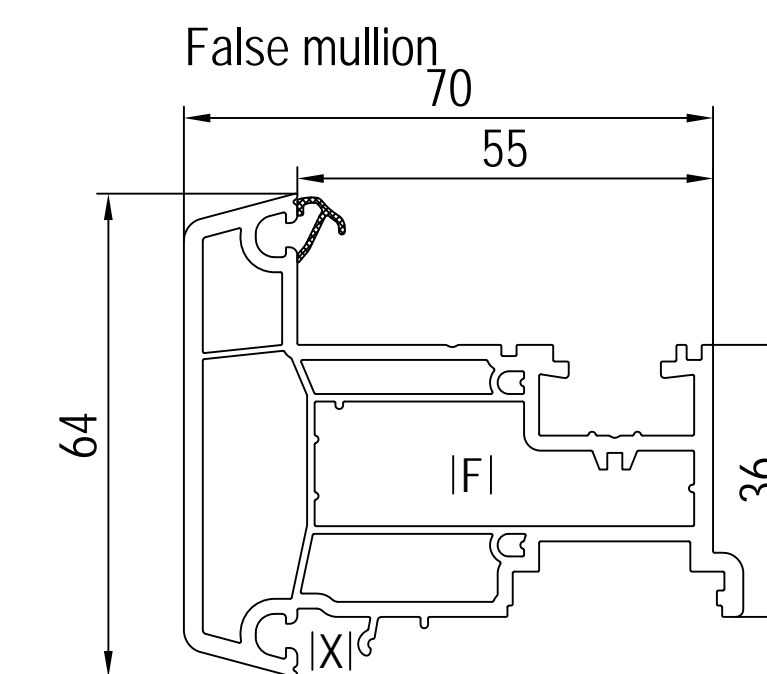
■ 140x55 (CL)(NL)
■ 148x55 (CL)(NL)
IAI 640301, 640311, 640320
IFI 249054, 259906



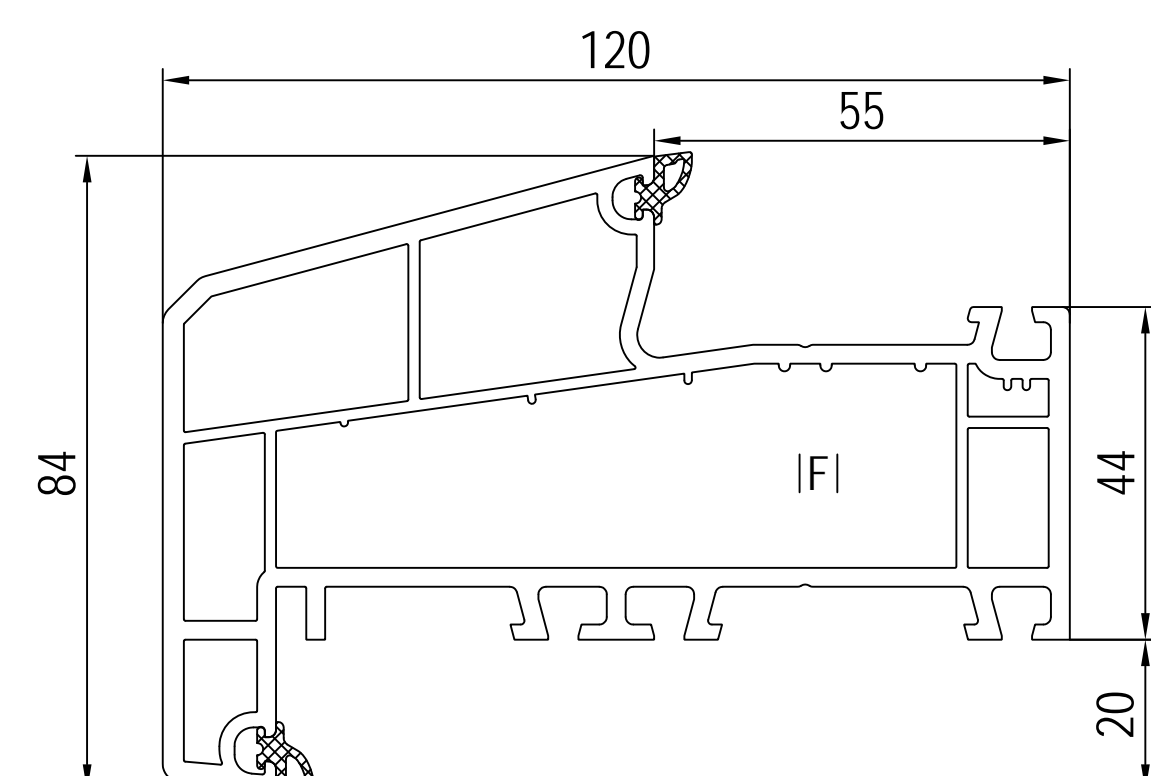
■ 140x31 (CL)
■ 148x31 (CL)
IAI 640301, 640311, 640320
IFI 229114, 229115, 249013, 249031



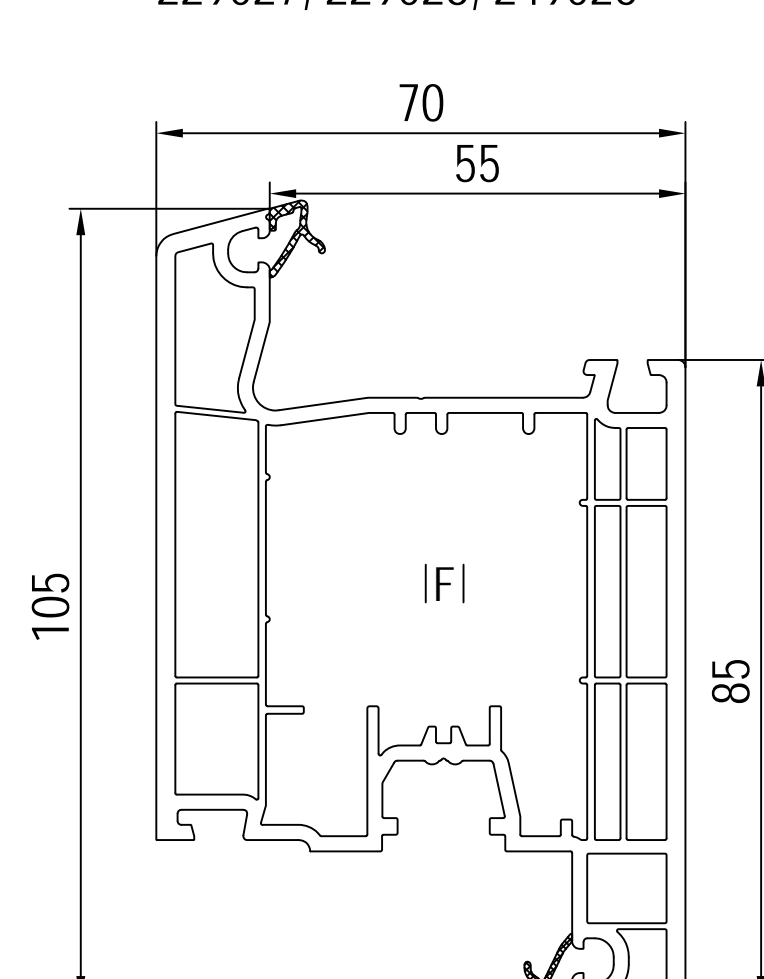
■ 140x45 (CL)
■ 148x45 (CL)
IAI 640301, 640311, 640320
DI 677133, DI 647136, 677103 -140x4x ...
DI 640046 - universal
IFI 249034, 249035
IUI 249058
WI 646075



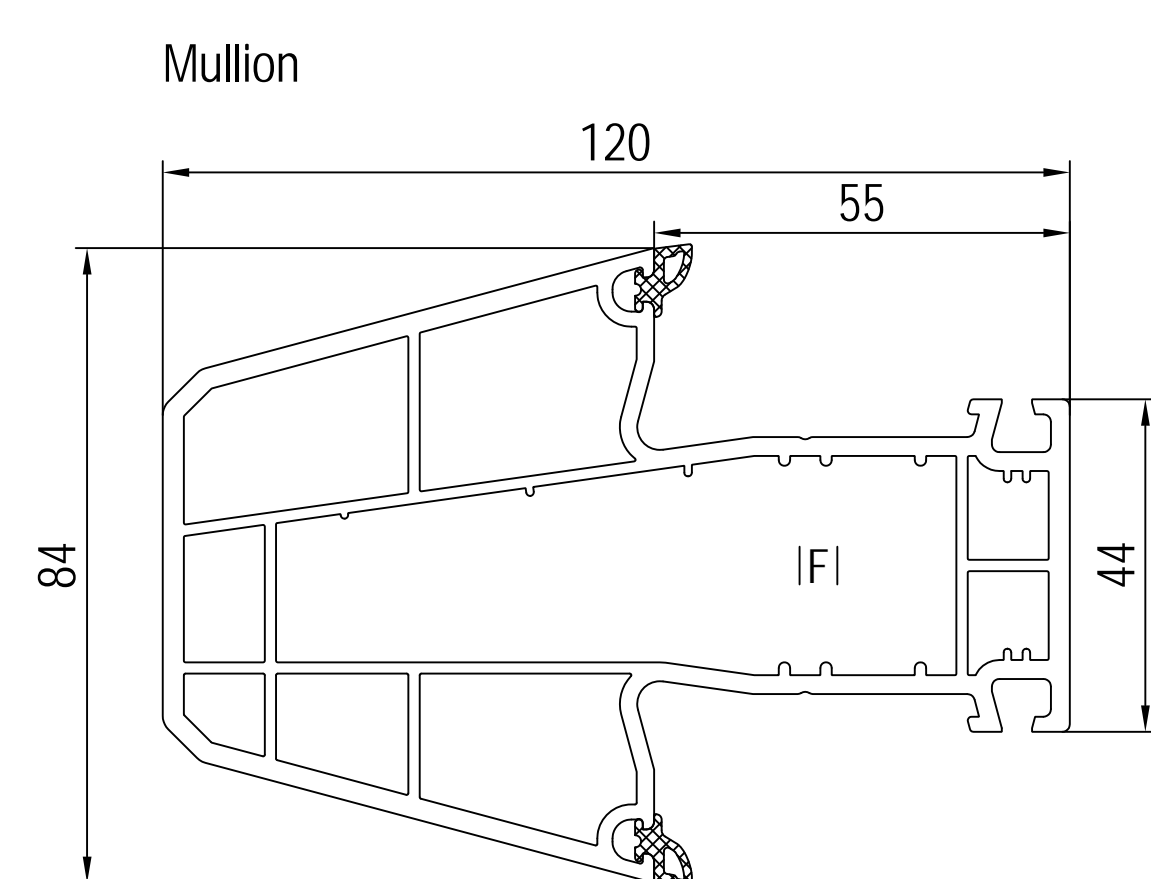
■ 140x66 (CL)
■ 148x66 (CL)
ICI 640066
IFI 229063
IXI 447340, 449340



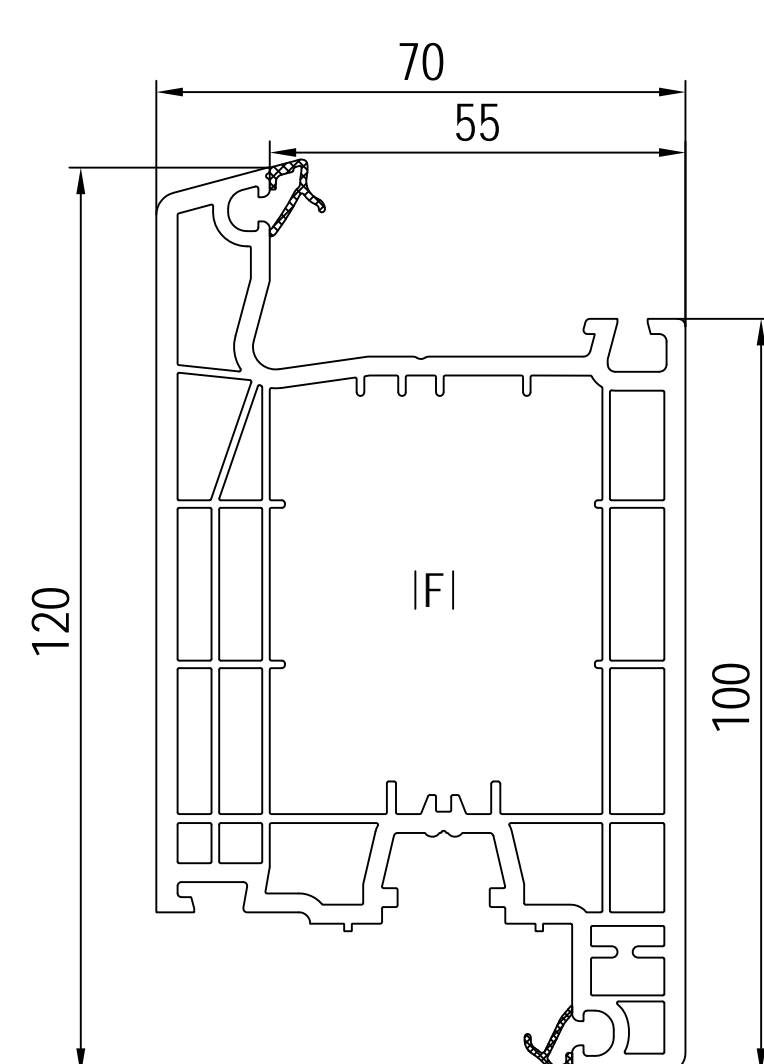
■ 140x54 (CL)(NL)
■ 148x54 (CL)(NL)
IAI 640301, 640311, 640320
IFI 249054, 259906



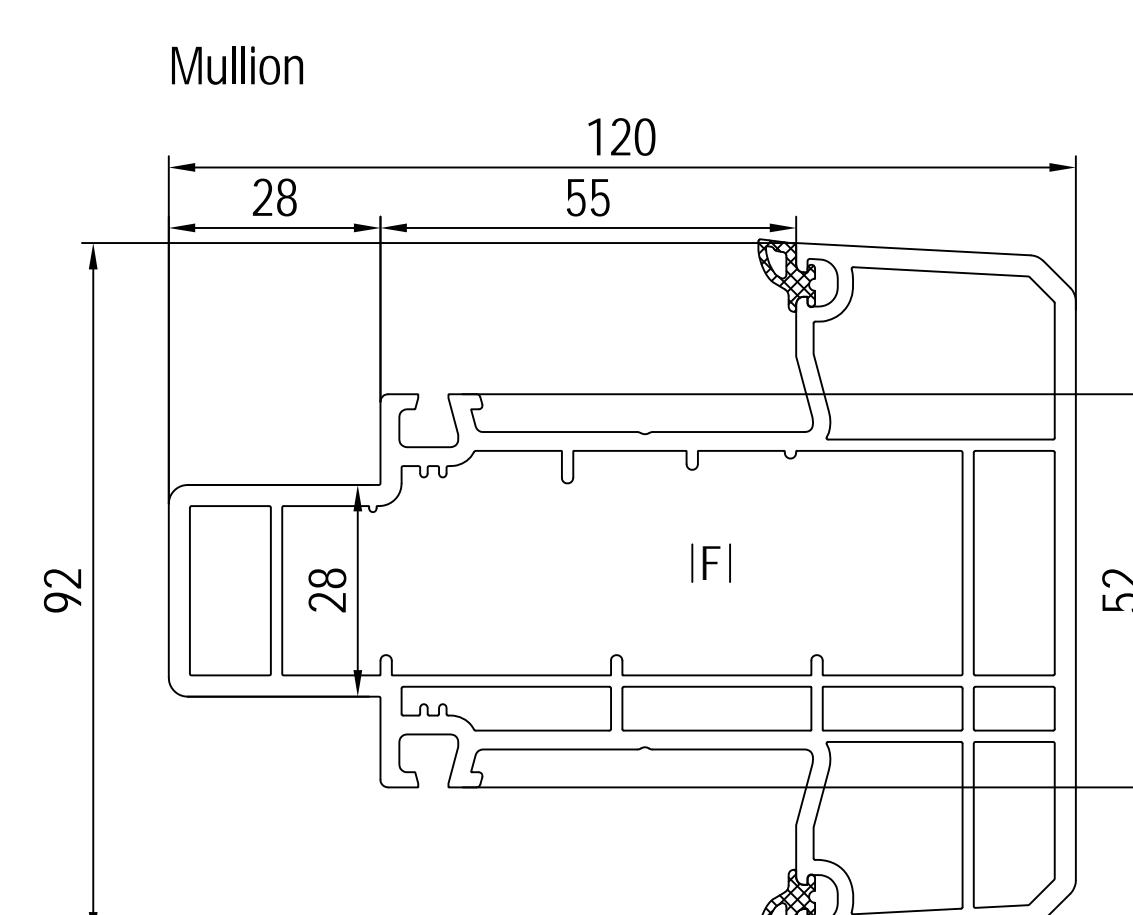
■ 140x30 (CL)
■ 148x30 (CL)
IAI 640301, 640311, 640320
IFI 229114, 229115, 249031



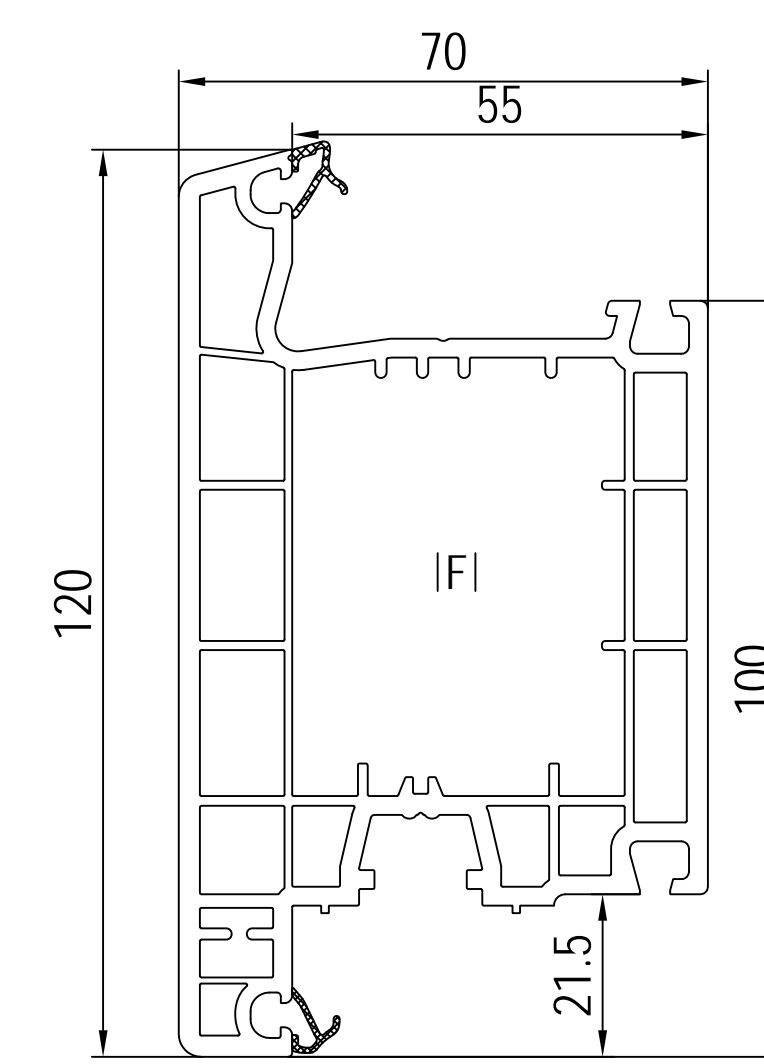
■ 140x57 (CL)(NL)
■ 148x57 (CL)(NL)
IAI 640301, 640311, 640320
DI 647057 -140x53, 140x54, 140x57
IXI 440357, 449357
IFI 249054, 259906



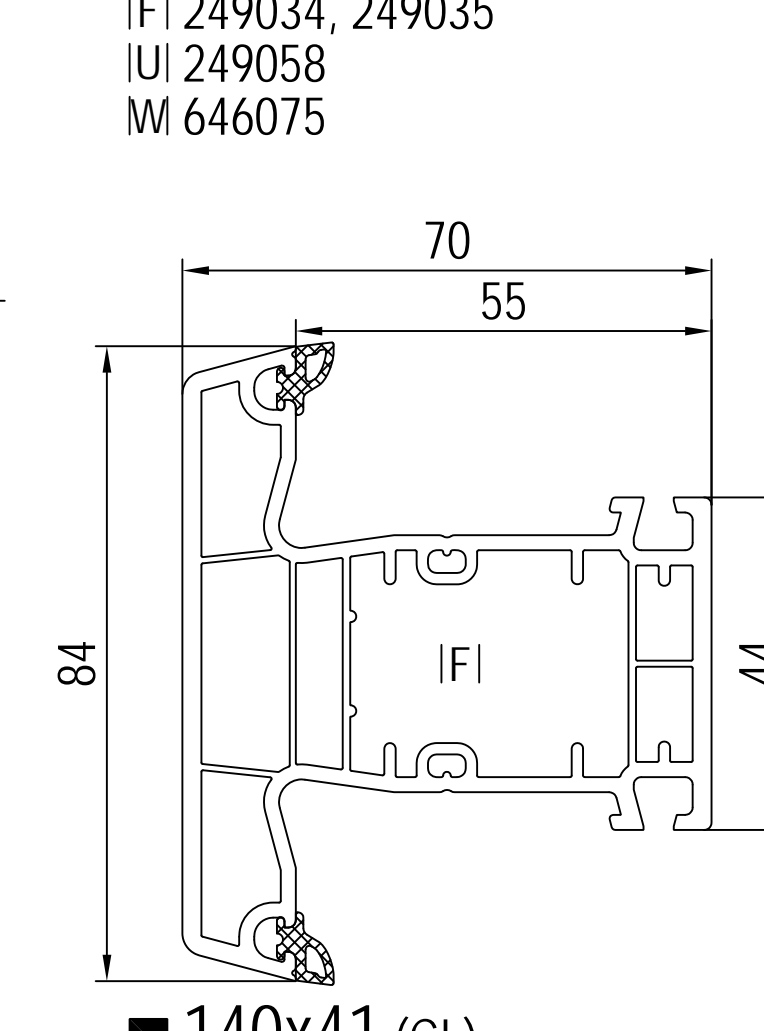
■ 140x33 (CL)
■ 148x33 (CL)
IAI 640301, 640311, 640320
IFI 229125, 229126, 229129, 229131



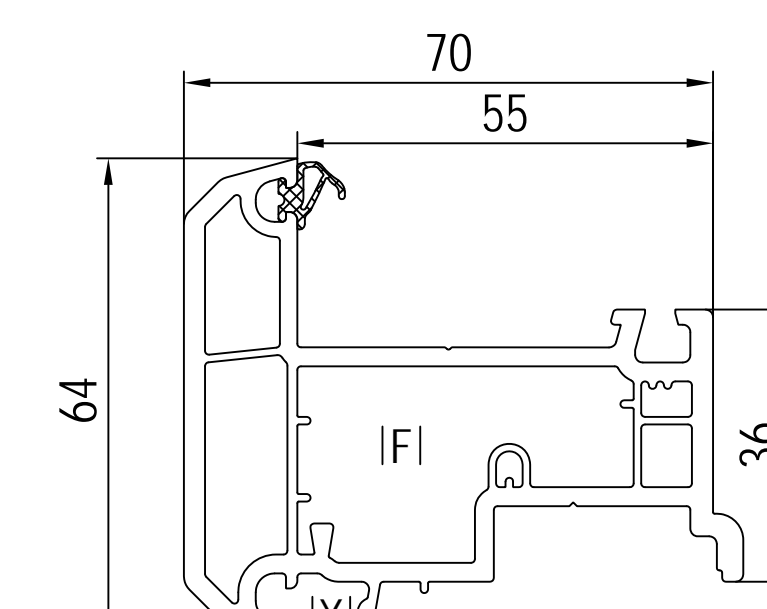
■ 140x59 (CL)(NL)
■ 148x59 (CL)(NL)
IAI 640301, 640311, 640320
IFI 249054



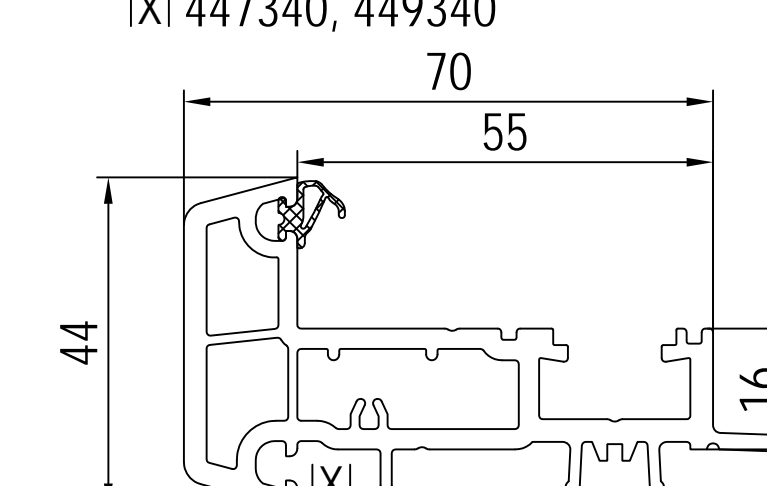
■ 140x35 (CL)
■ 148x35 (CL)
IAI 640301, 640311, 640320
IFI 229125, 229126, 229129, 229131
Mullions/Transoms
DI 627107 -140x4x ...



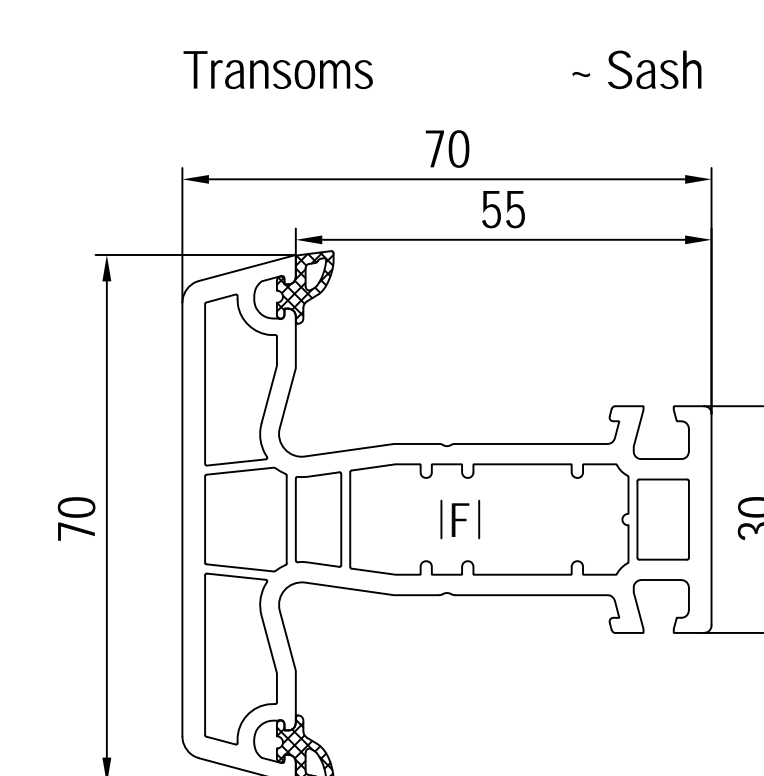
■ 140x41 (CL)
■ 148x41 (CL)
IAI 640301, 640311, 640320
DI 647131, 649131, 647132 -140x4x ...
DI 647101, 649101, 647102 -140x4x ...
DI 620046 - universal
IFI 229098, 229100, 229101
IUI 249058
WI 646074



□ 140x67 (SL)
■ 148x67 (SL)
ICI 640067
IFI 259094
IXI 447340, 449340

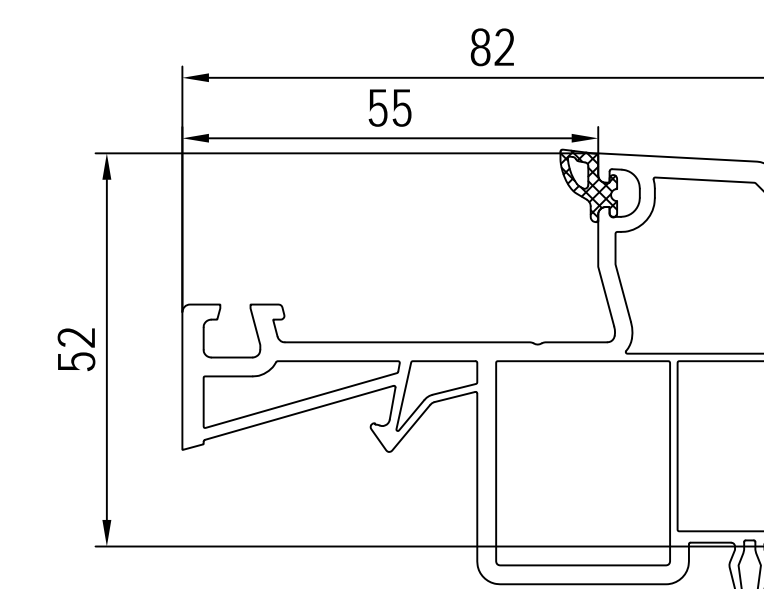


■ 140x65 (CL)
■ 148x65 (CL)
ICI 640065
IXI 447340, 449340

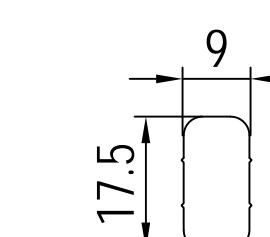


■ 140x46 (CL)
■ 148x46 (CL)
IAI 640301, 640311, 640320
DI 647105 -140x4x ...
IFI 249019

Additional Profiles



■ 140x58 (CL)(NL)
■ 148x58 (CL)(NL)
IAI 640301, 640311, 640320
->140x53
->140x54
->140x57



□ 144256 (NL)
->140x53
->140x54
->140x55
->140x59

Profiles

- XX0XXX - RAL 9016 white
- XX8XXX - RAL 9001 cream white
- XXX3XX = Gasket: black
- XXX4XX = Gasket: papyrus white

Glazing Beads

- Additional Profiles
- Accessories = cream white available upon request

- not laminated
- laminated

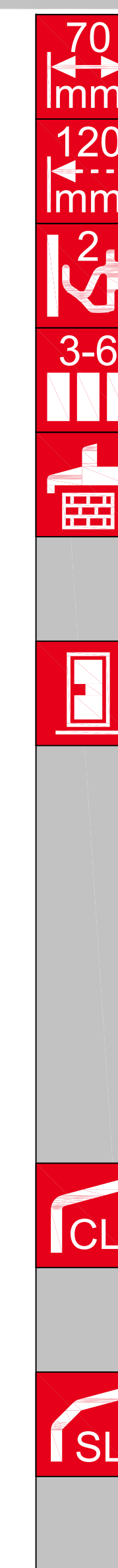
- IAI Spacer
- ICI End caps
- DI Connector
- DI Connector without sticks
- IFI Reinforcements
- IUI Aluminium threshold
- IVI Connection for threshold
- WI Mullion coupler
- IXI Gaskets

-> for

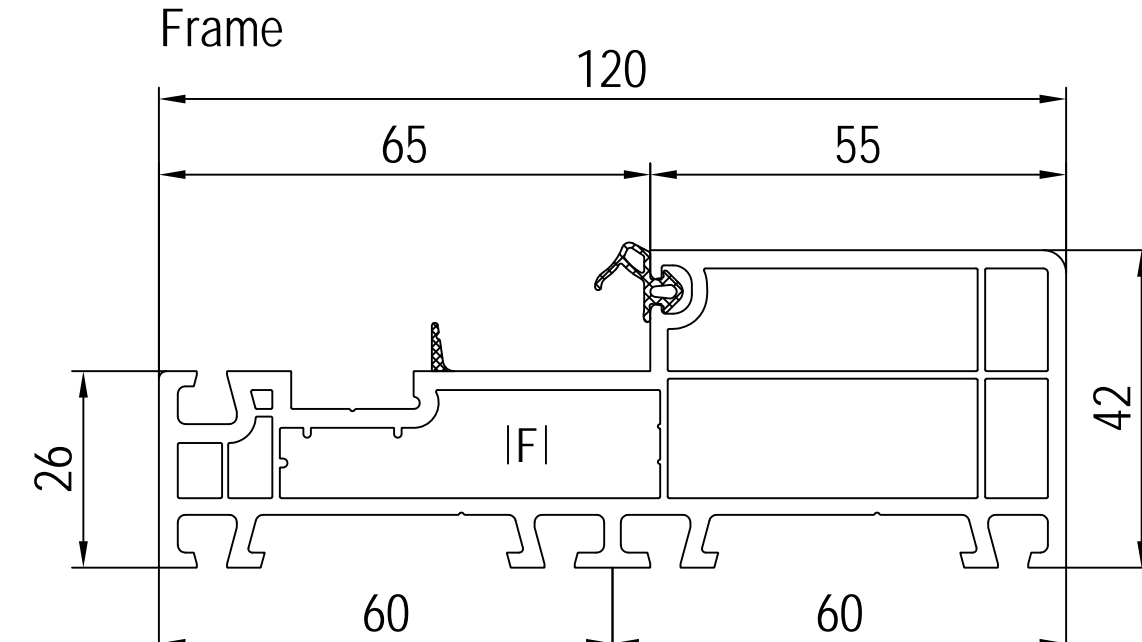
- (CL) Classic-line
- (SL) Soft-line

(NL) IDEAL 4000 NL

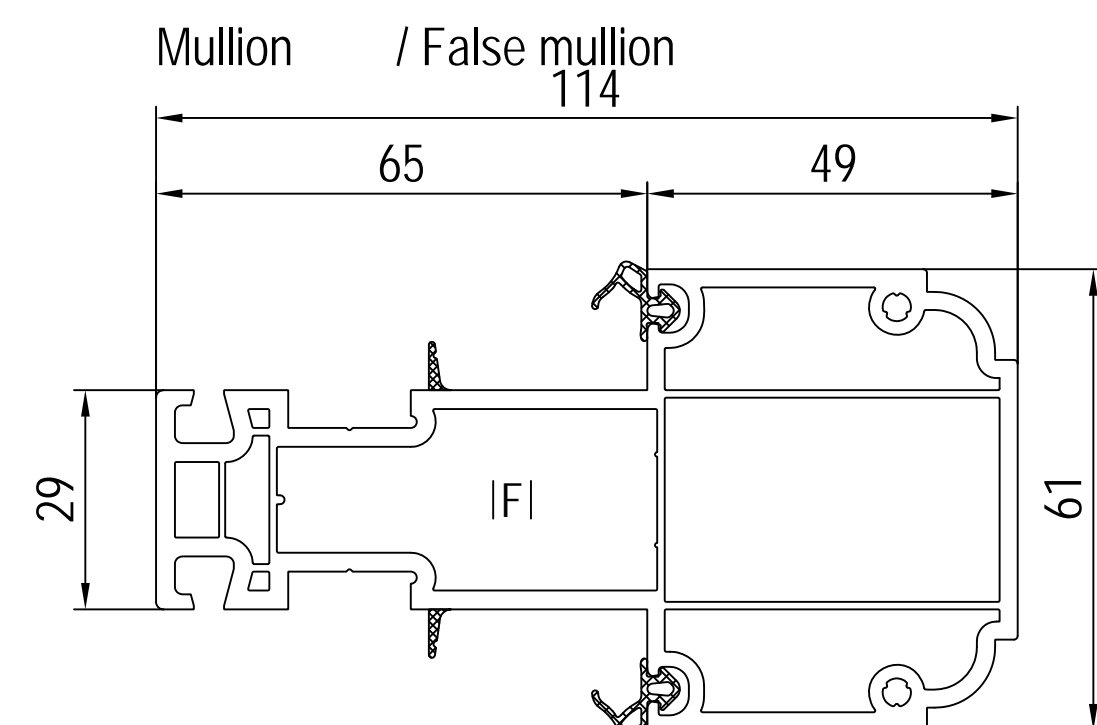
- bl black
- pw papyrus-white



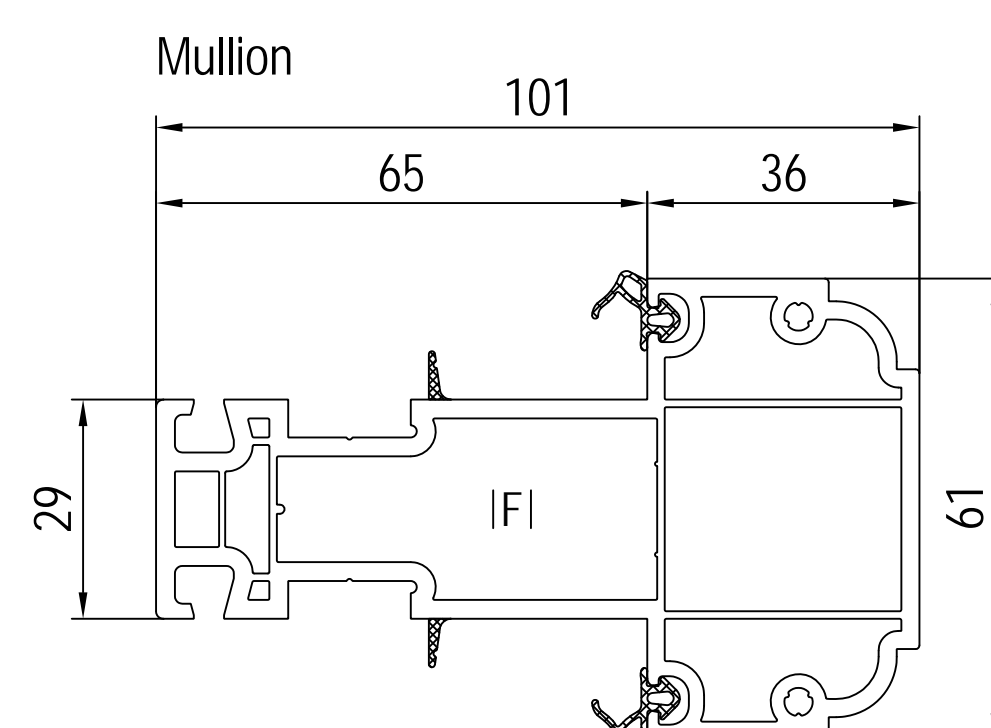
Main Profiles



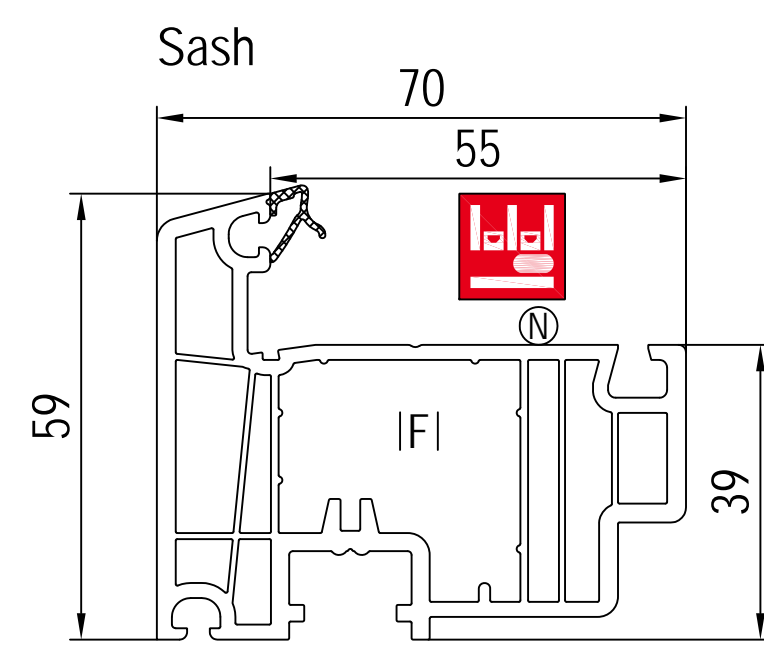
■ 140x90 NORD-LINE (CL)
IFI 249190
IZI 646193



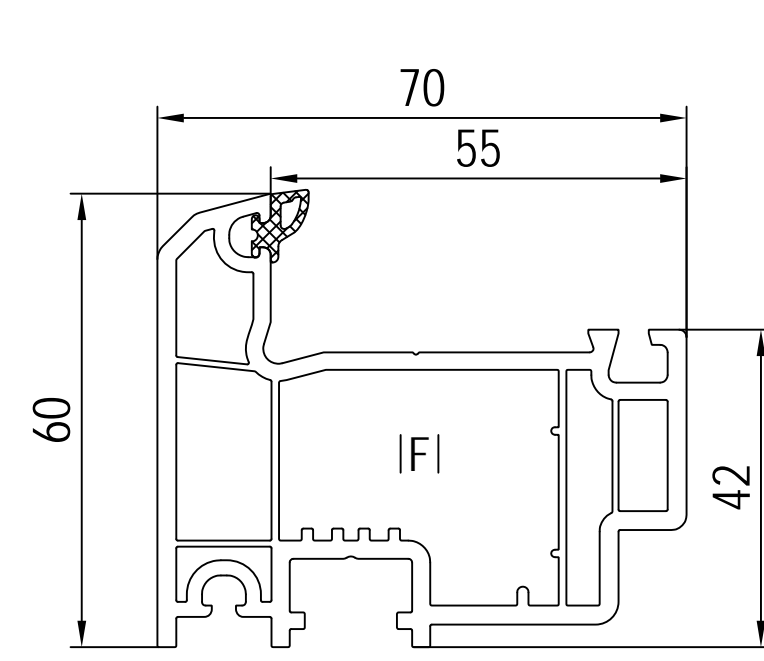
■ 140x99 NORD-LINE (HL)
ICI 640199
IDI 647191 -140x90 ...
IFI 249198



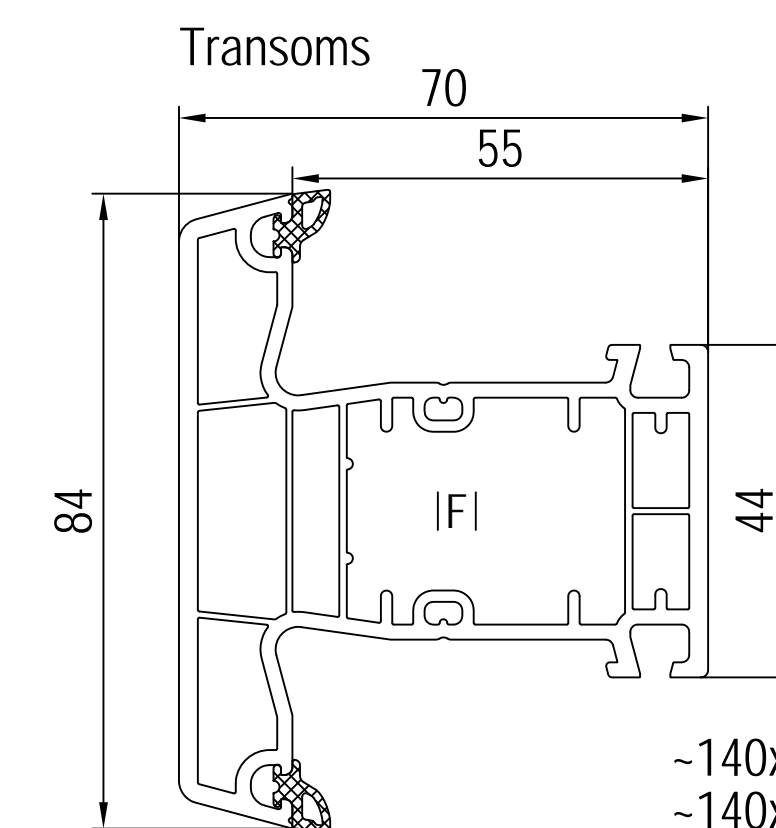
■ 140x98 NORD-LINE (HL)
IDI 647191 -140x90 ...
IFI 249198



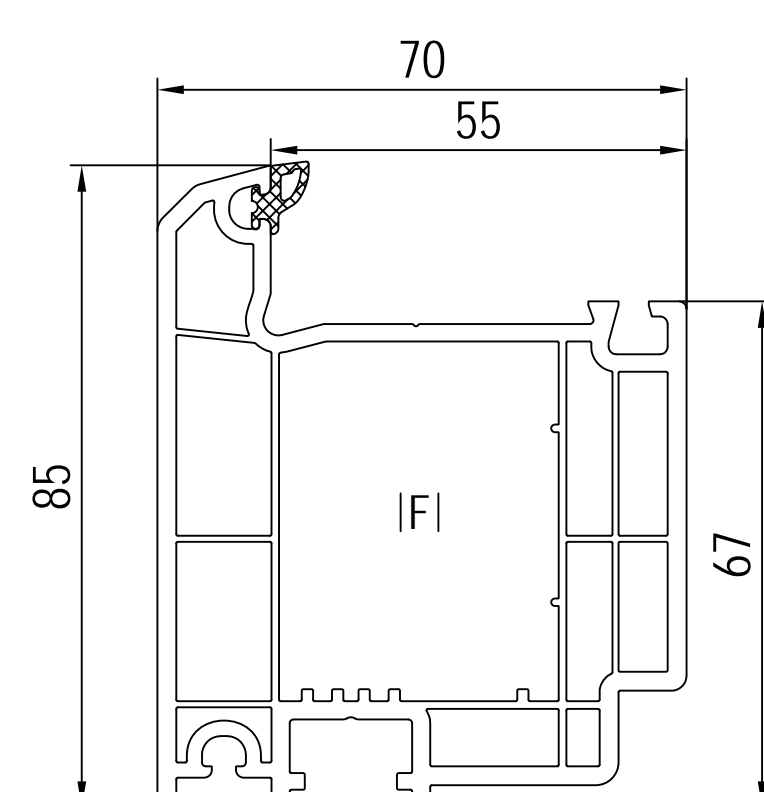
■ 140x94 NORD-LINE (CL)
IFI 249194, 249204
IJI 642230, 642232, 642233



■ 140x93 NORD-LINE (SL)
IAI 642300
IFI 249192

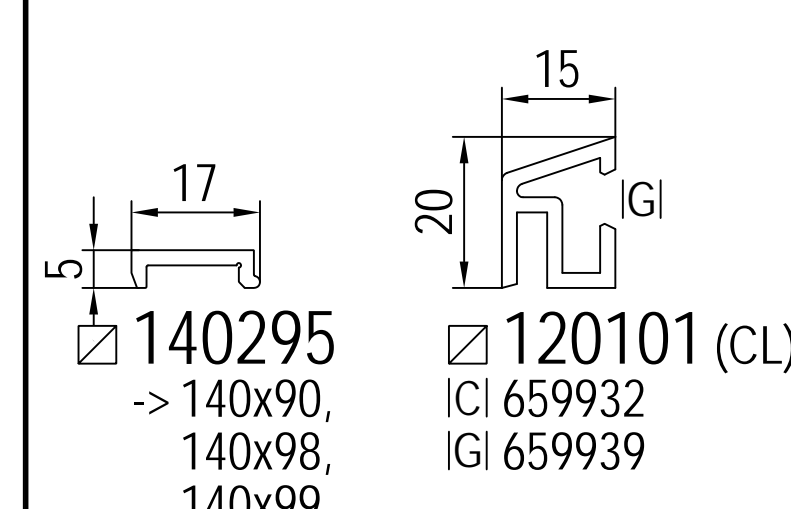


■ 140x41 IDEAL 4000 (CL)
IAI 640301, 640311, 640320
IDI 647131, 649131, 647132 -140x4x ...
IDI 647101, 649101, 647102 -140x4x ...
IDI 620046 - universal
IFI 229098, 229100, 229101



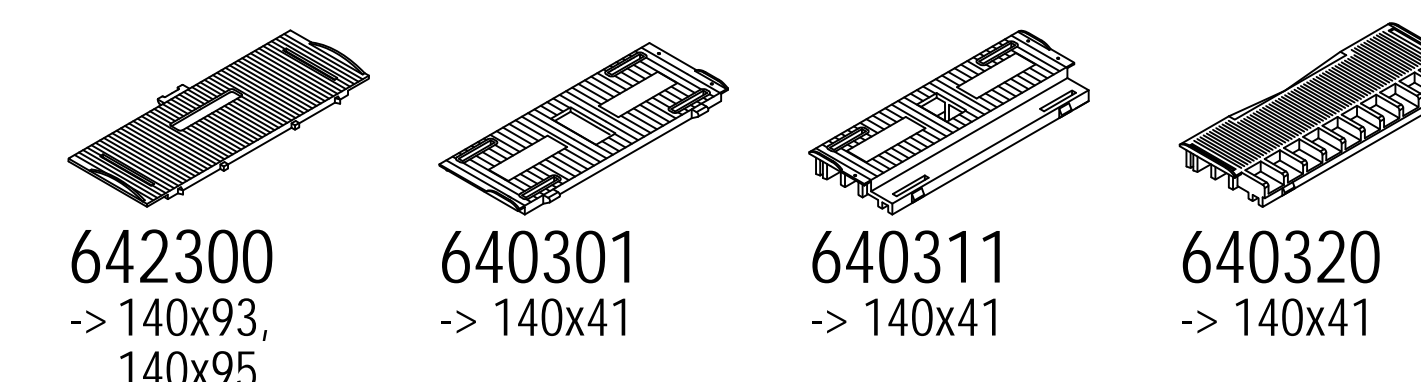
■ 140x95 NORD-LINE (SL)
IAI 642300
IFI 249195

Additional Profiles

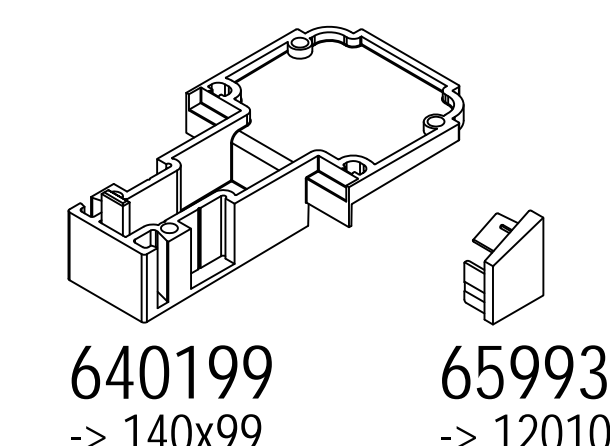


Accessories

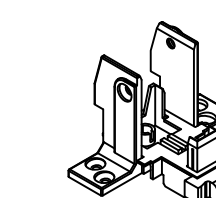
IAI Spacer



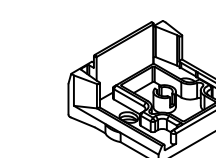
ICI End caps



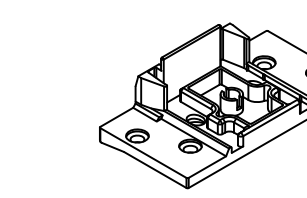
IDI Connector
IDI Connector without sticks
P-Plastic



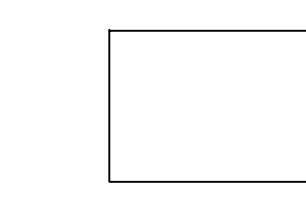
IDI 647191
-> 140x98,
140x99
IDI 640906
-140x90 ...



IDI 649131 P
IDI 649101 P
IDI 647131
IDI 647101
-> 140x41,
140x47
IDI 640900
-140x4x ...
-140x93
-140x95

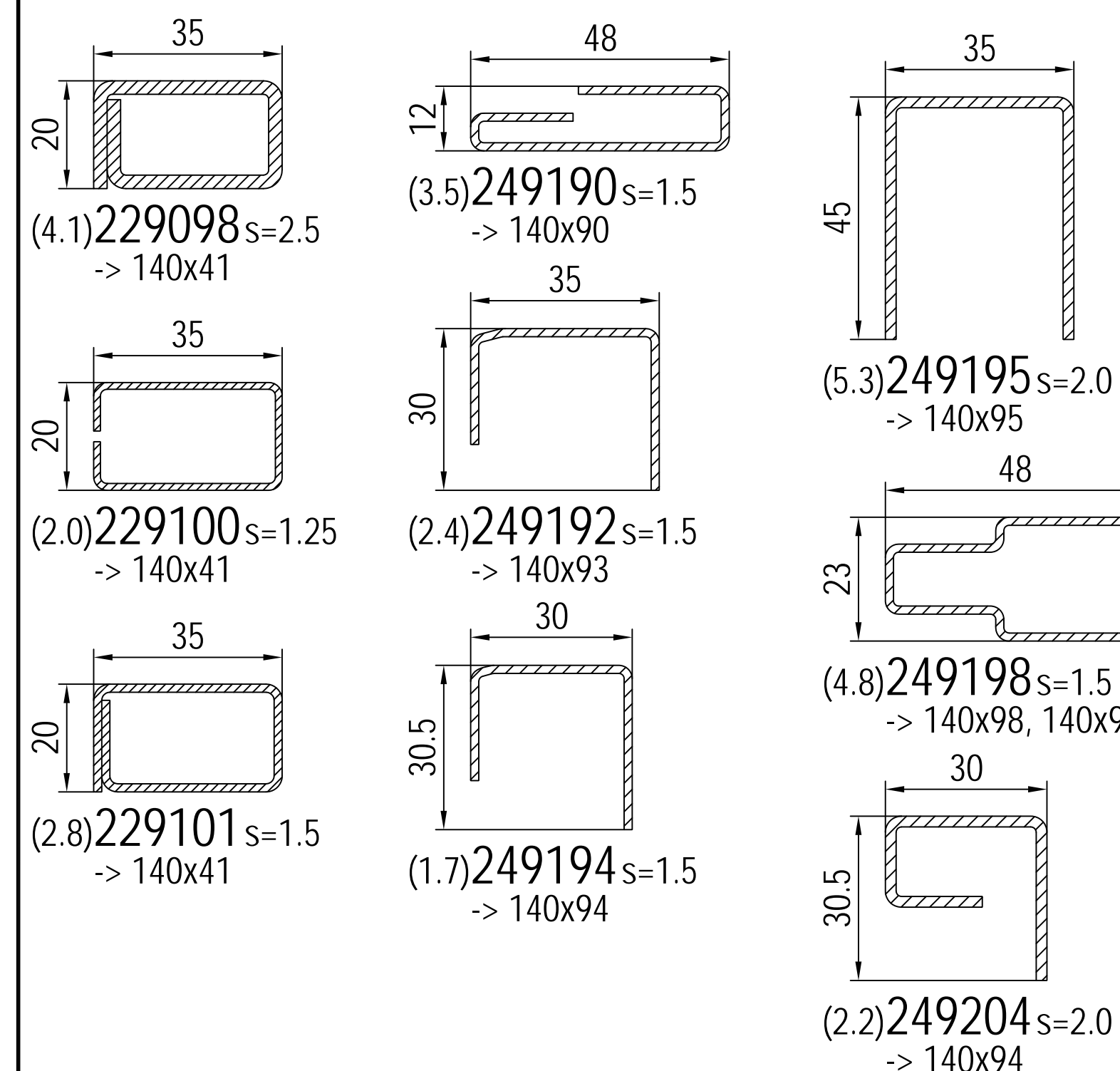


IDI 647132
IDI 647102
-> 140x41,
140x47
IDI 640900
-140x4x ...
-140x93
-140x95

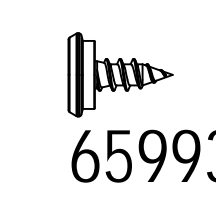


IDI 620046 P
-35x20x1000mm
-> 120x41, 120x45,
140x41, 140x47,
170x41
- universal

IFI Reinforcements (...) = lx

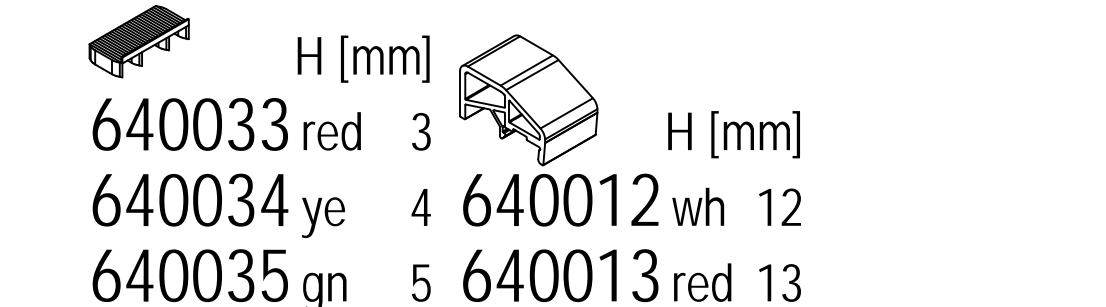


IGI Nipple screw / Clip

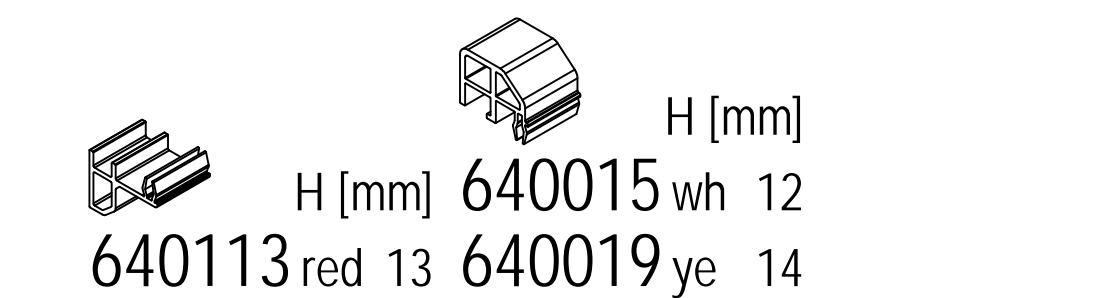


659939
-> 120101

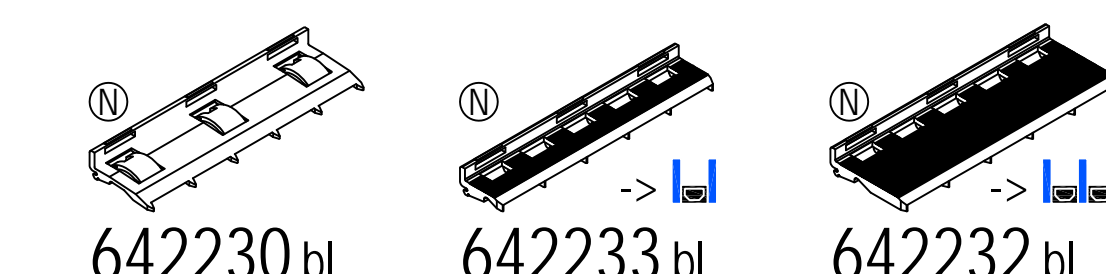
IJI Bonding of pane
-> 140x94



H [mm] 3
640033 red 3
H [mm] 4
640034 ye 4
640012 wh 12
H [mm] 5
640035 gn 5
640013 red 13

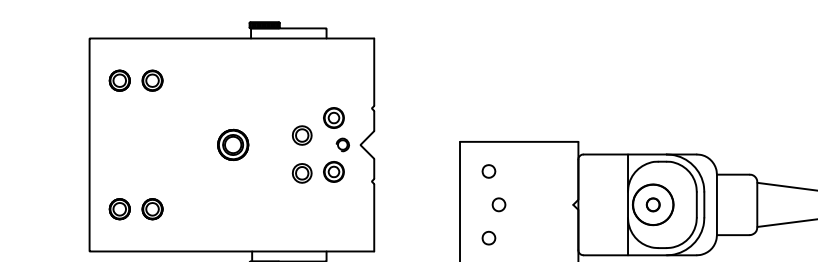


H [mm] 12
640015 wh 12
H [mm] 13
640113 red 13
H [mm] 14
640019 ye 14



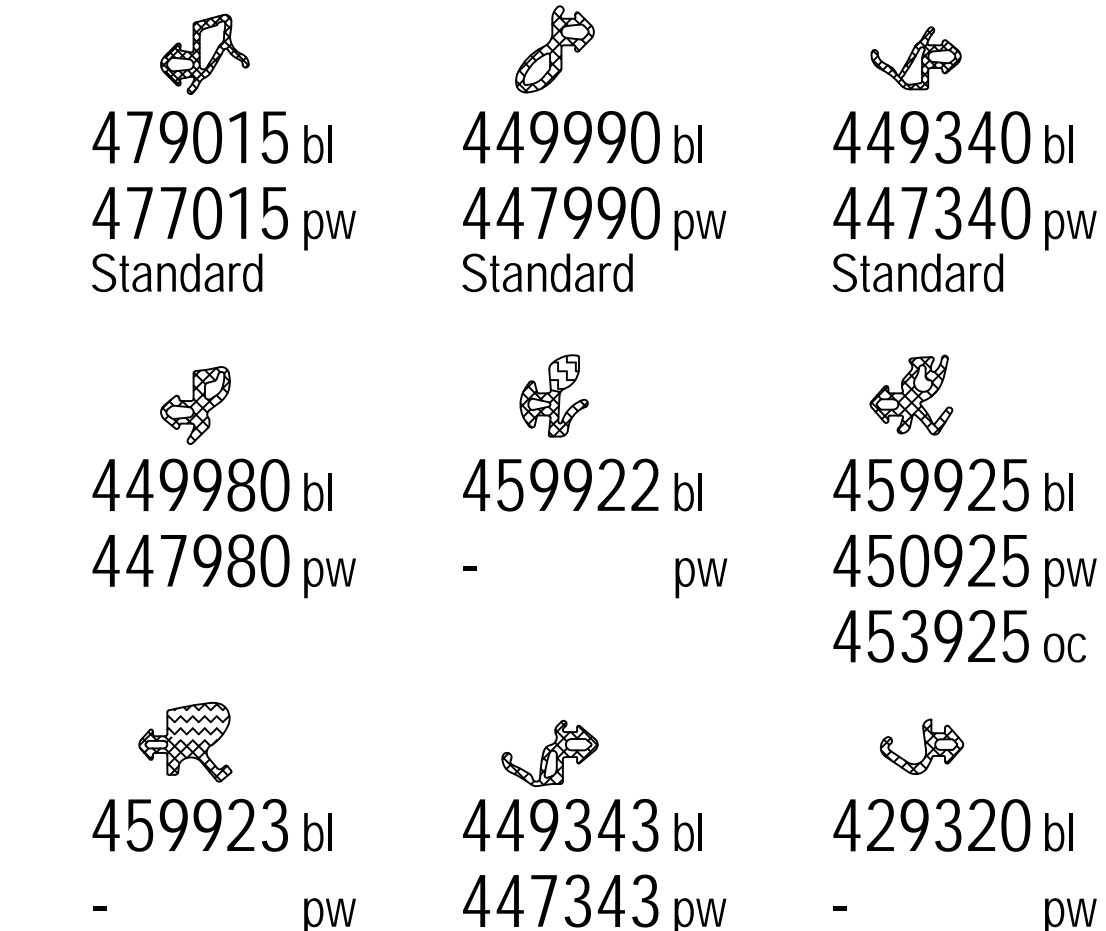
642230 bl
642233 bl
642232 bl

OII Mounting accessories

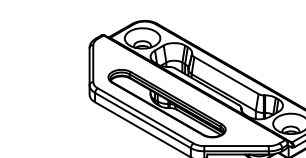


640906
-> IDI 647191
640900
-> IDI 647131, 647132,
649131
-> IDI 647101, 647102,
647105, 649101

XI Gaskets



ZI Special accessories



646193
-> 140x90

Ⓢ Bonding of pane

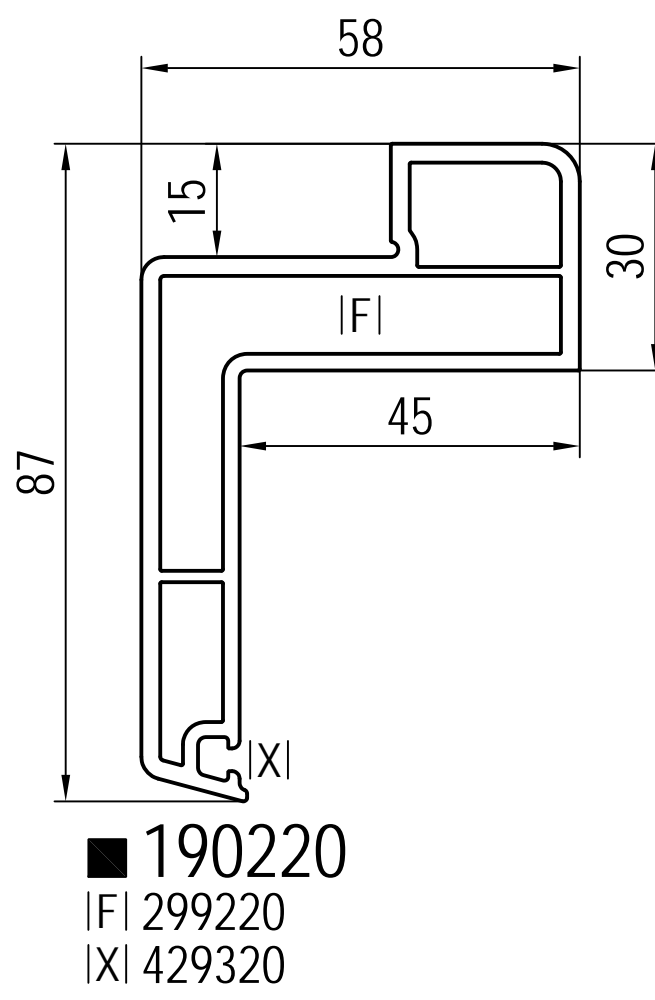
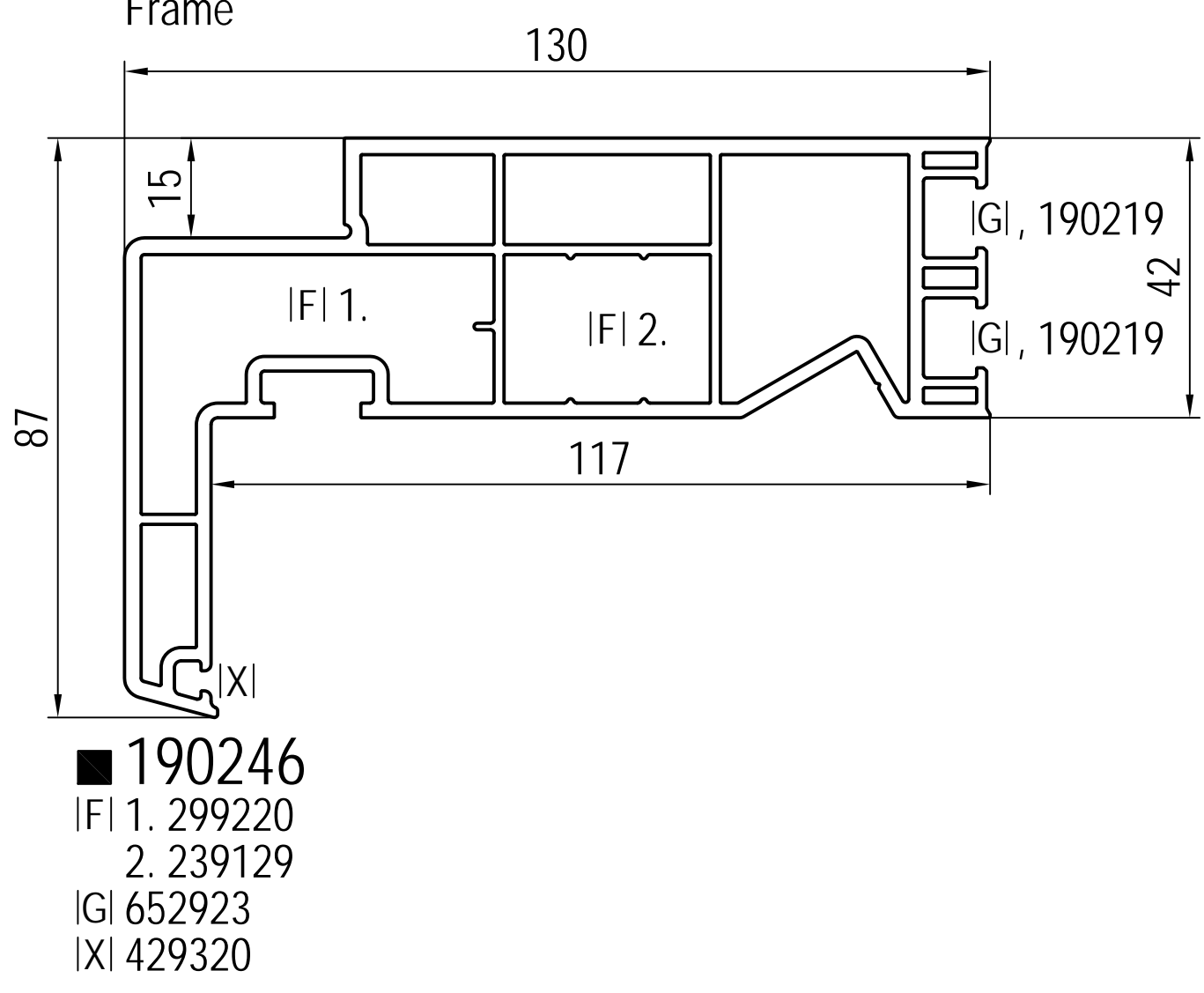
□ not laminated
■ laminated

-> for

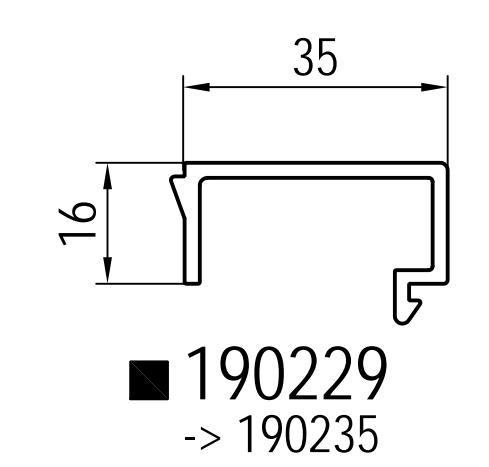
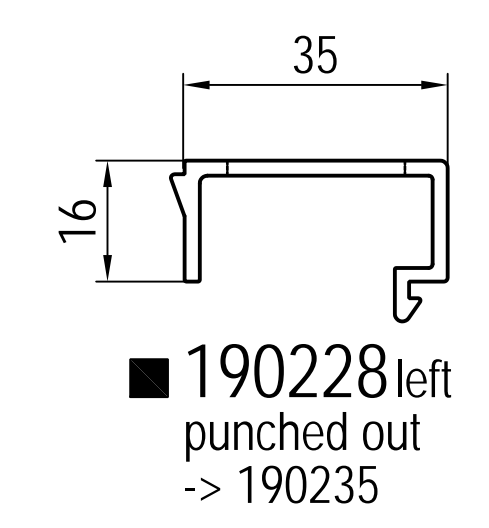
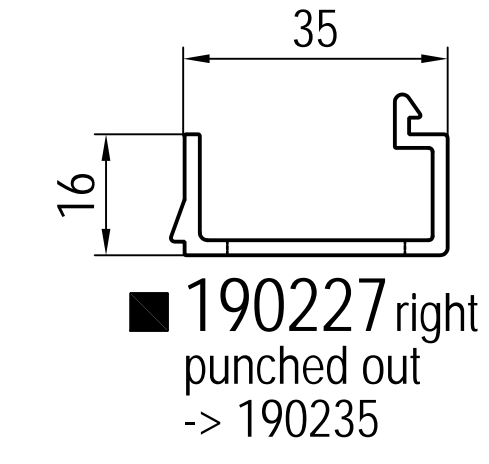
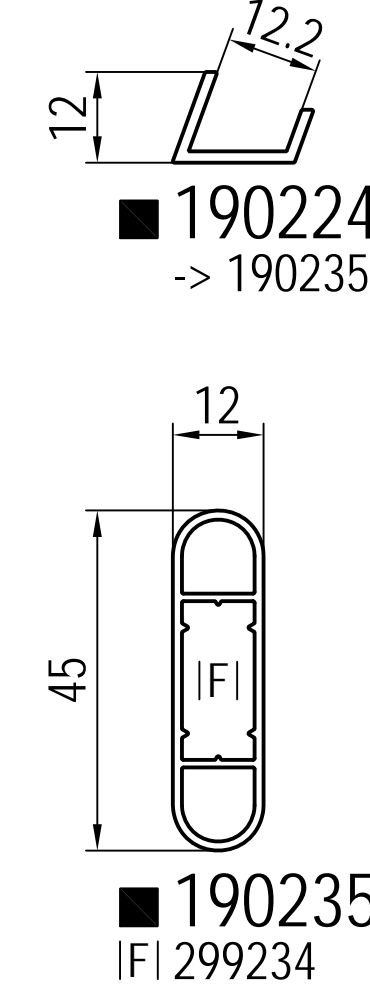
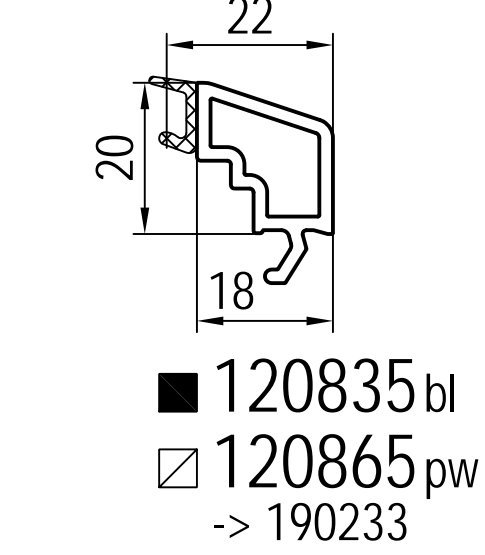
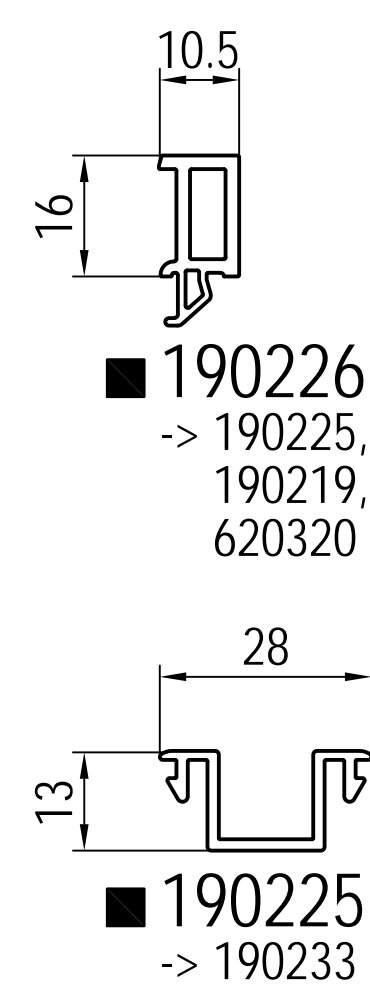
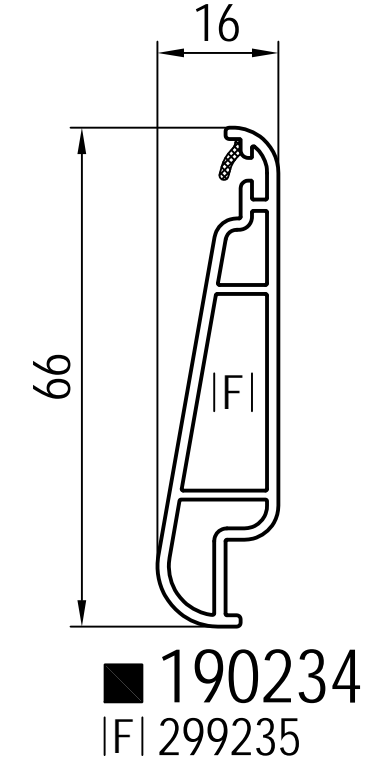
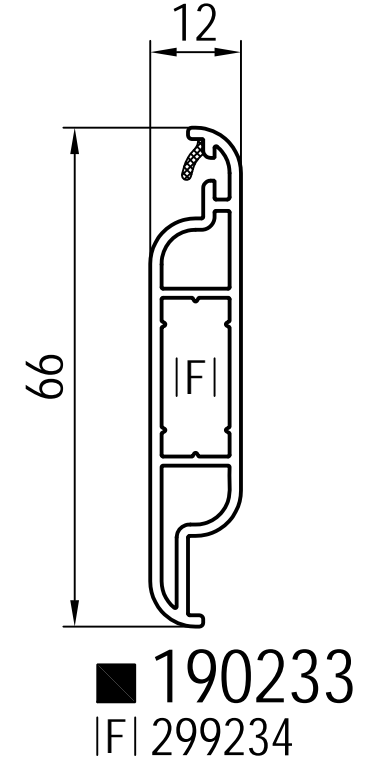
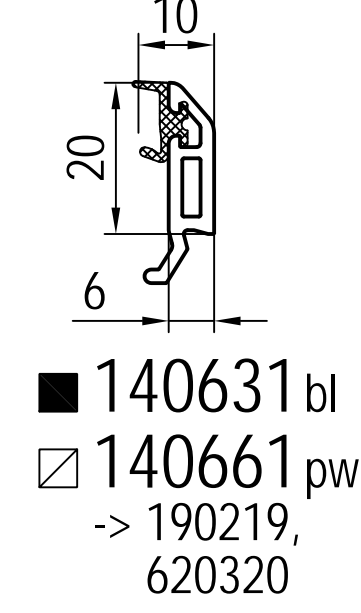
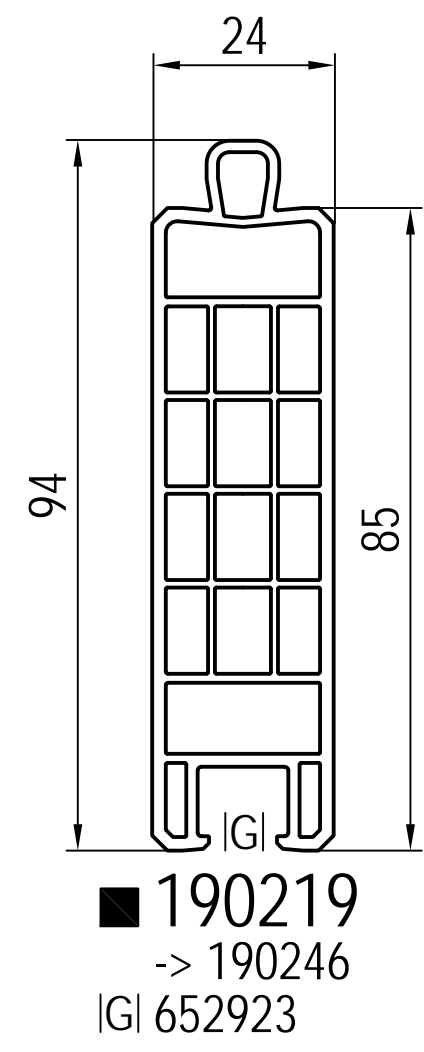
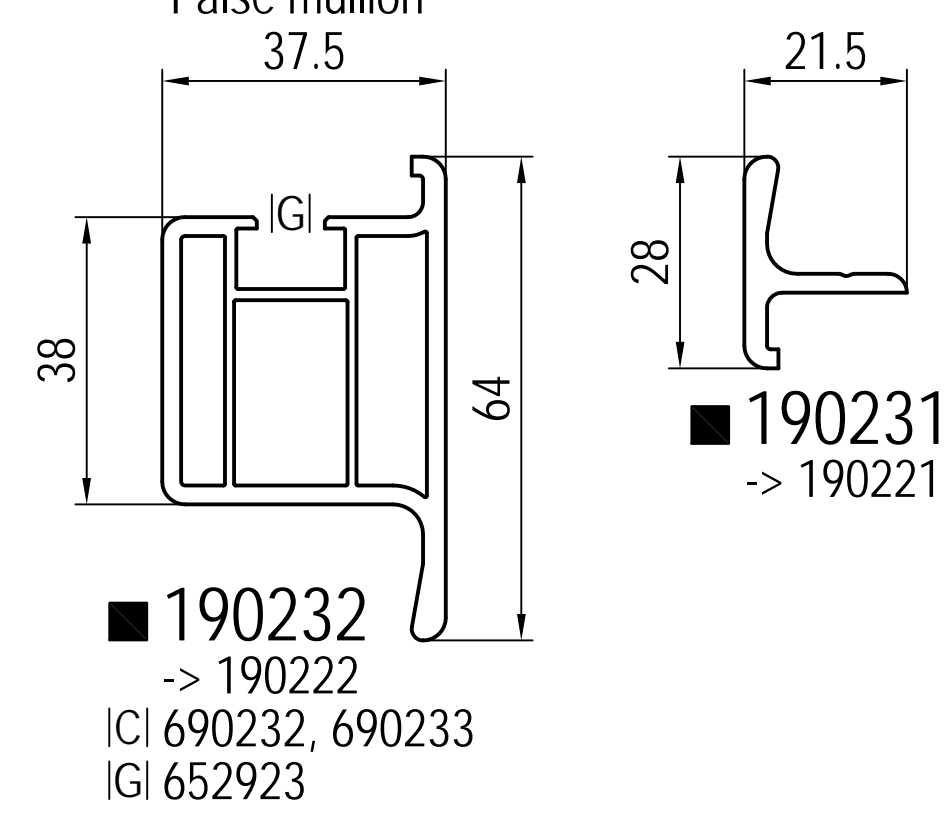
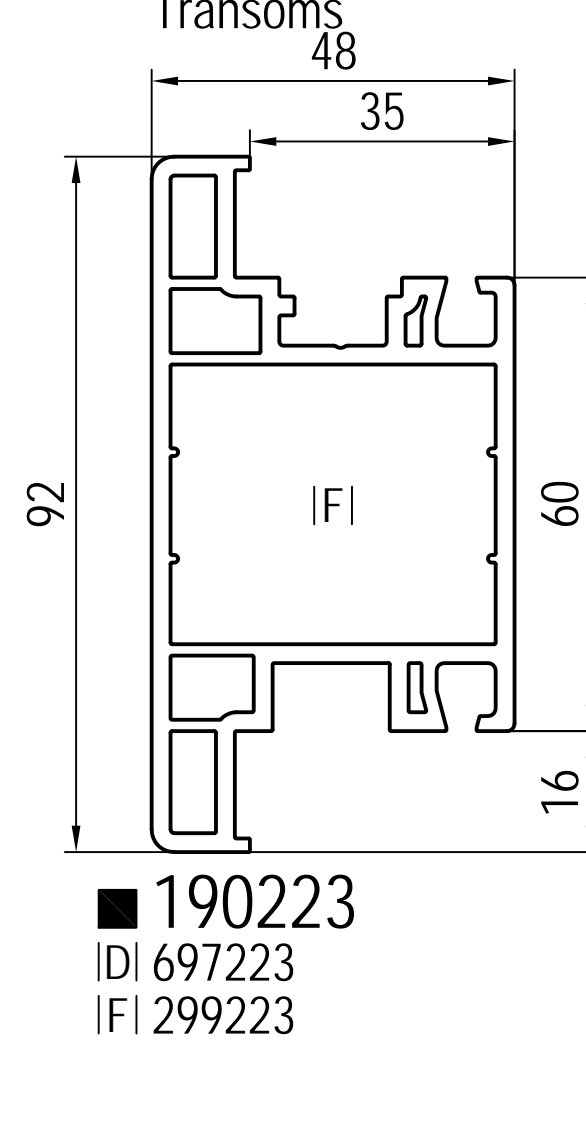
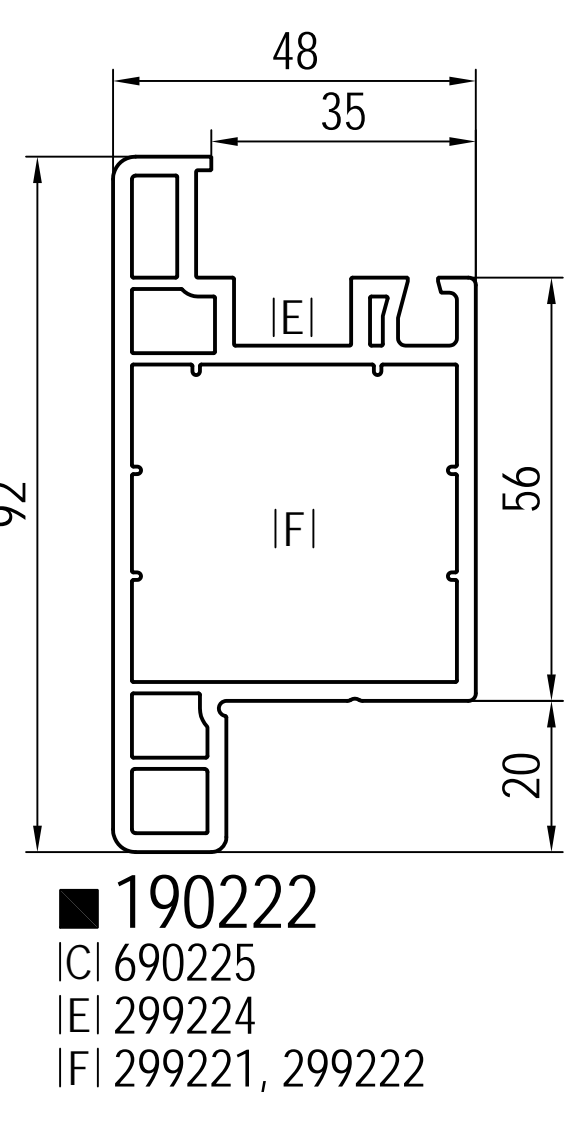
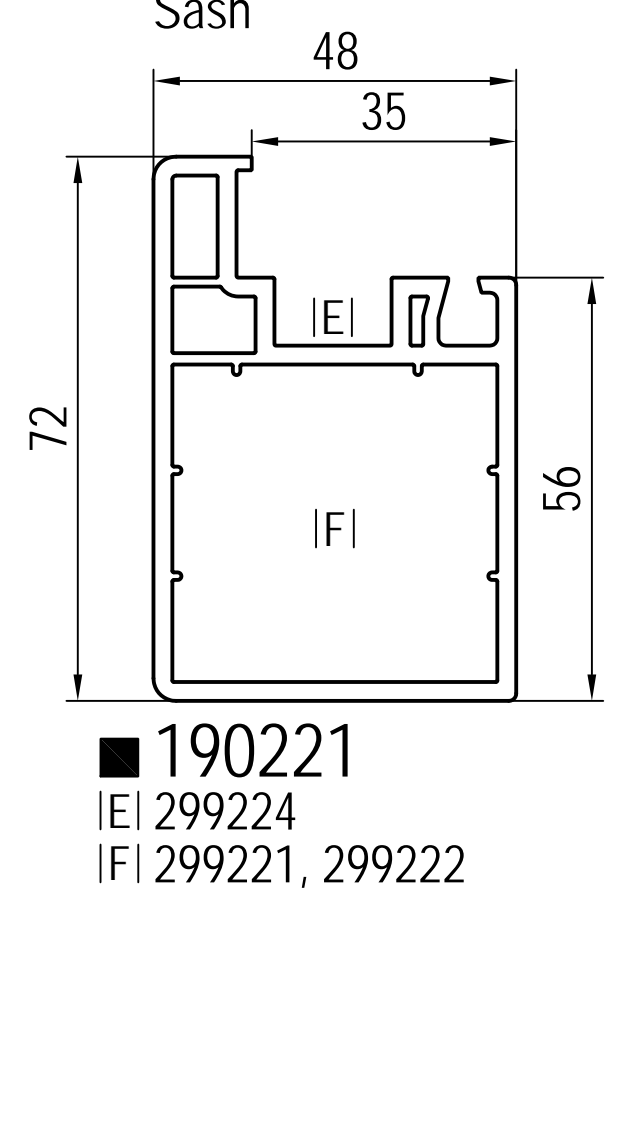
(CL) Classic-line
(RL) Round-line
(SL) Soft-line
(HL) Historik-line

bl black
pw papyrus-white
oc ochre

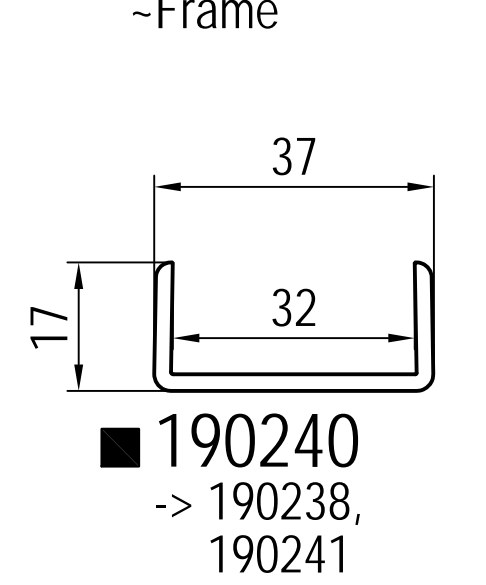
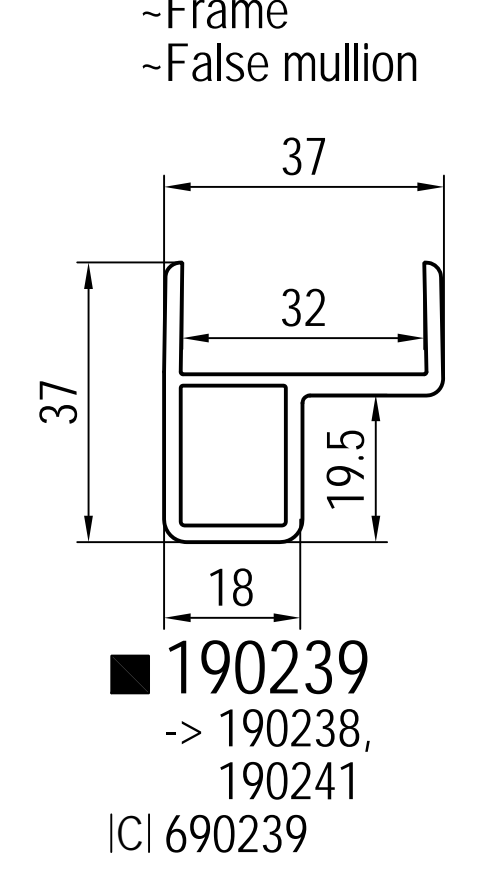
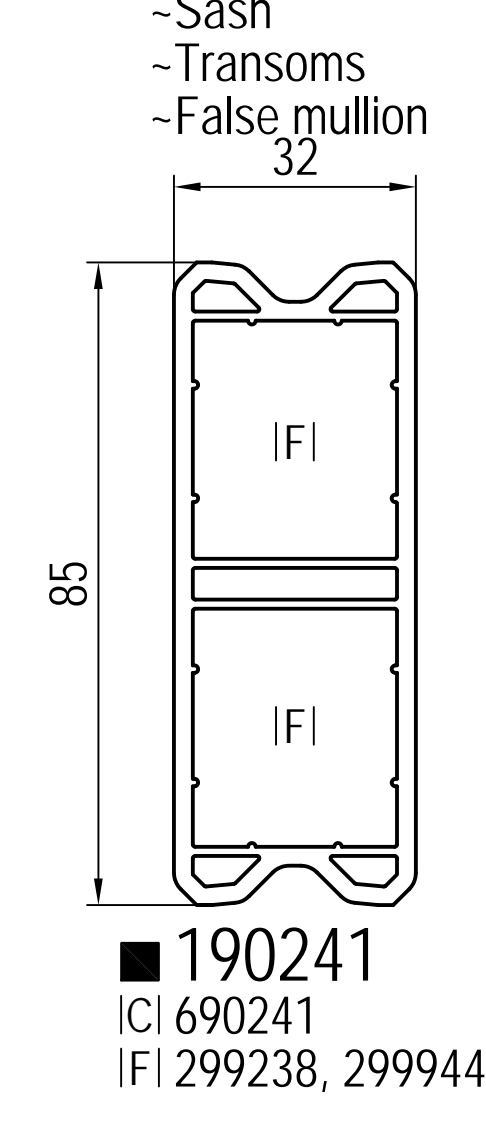
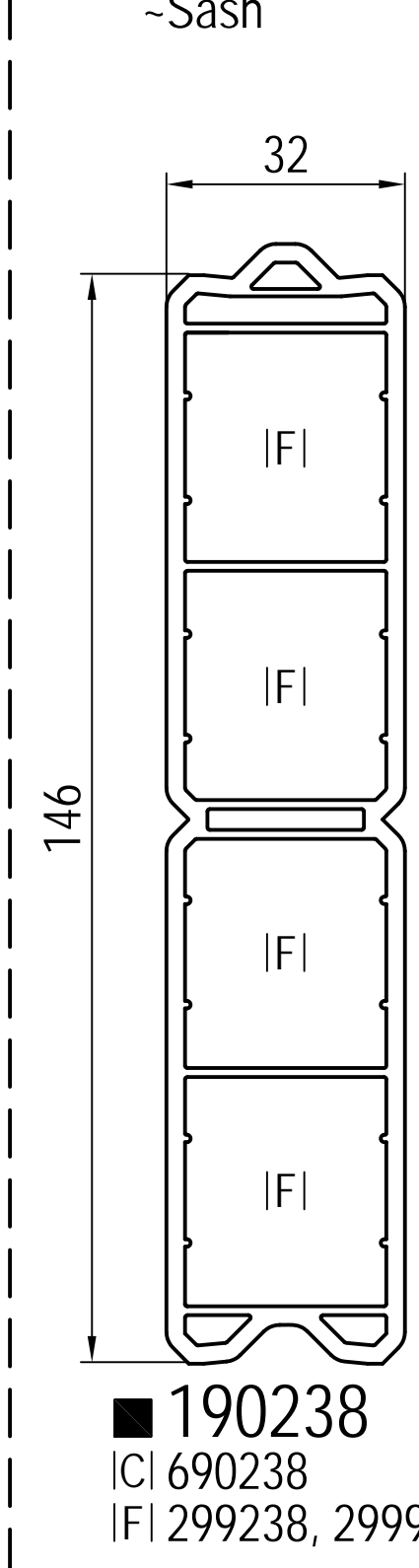
Folding Shutter



Folding shutter 48mm

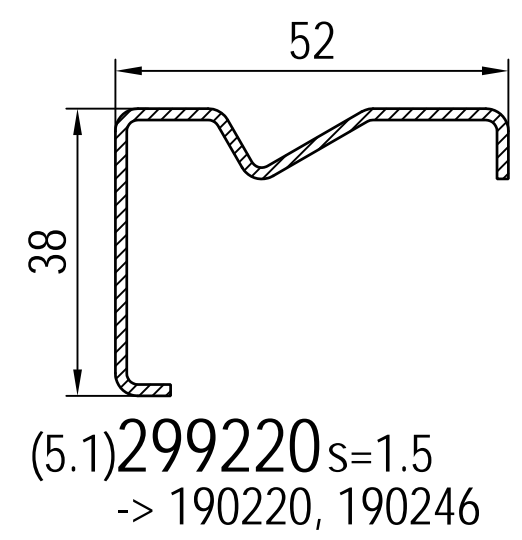
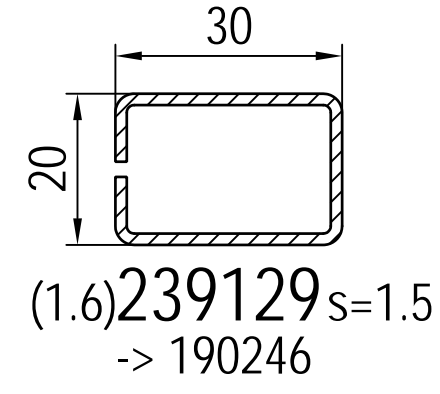


Plank shutter 32mm



Accessories

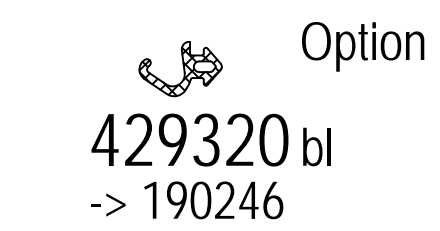
IFI Reinforcements (...) = lx



IGI Nipple screw / Clip

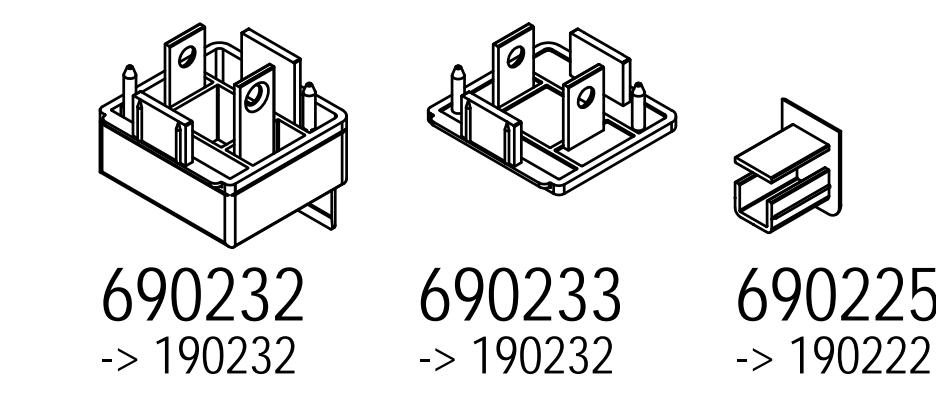


IXI Gaskets

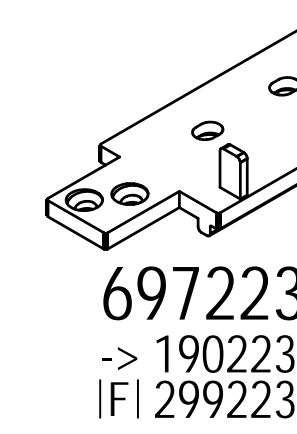


Accessories

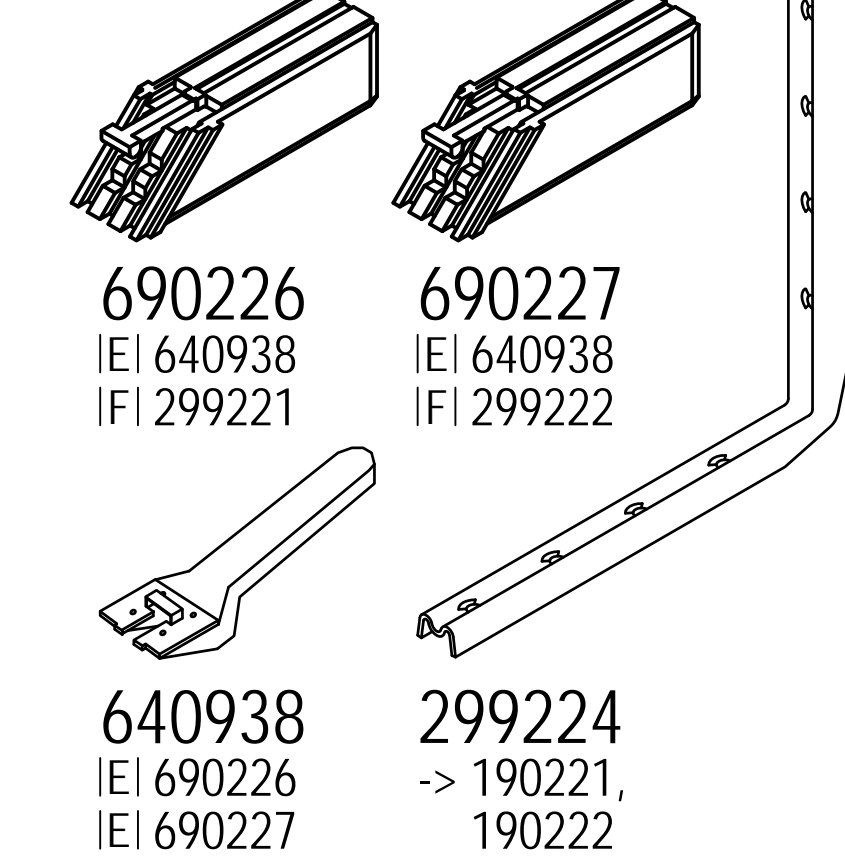
ICI End caps



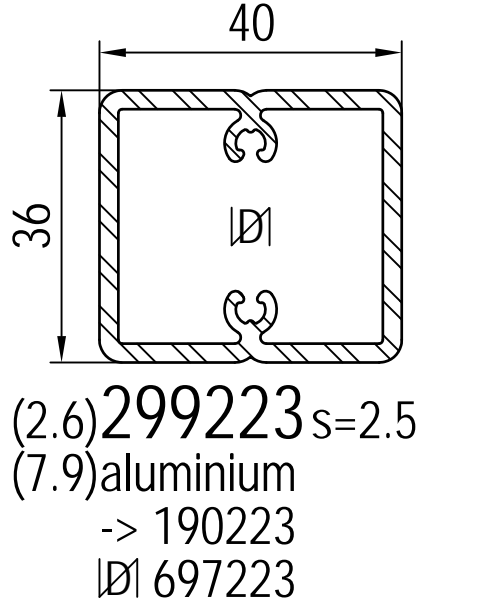
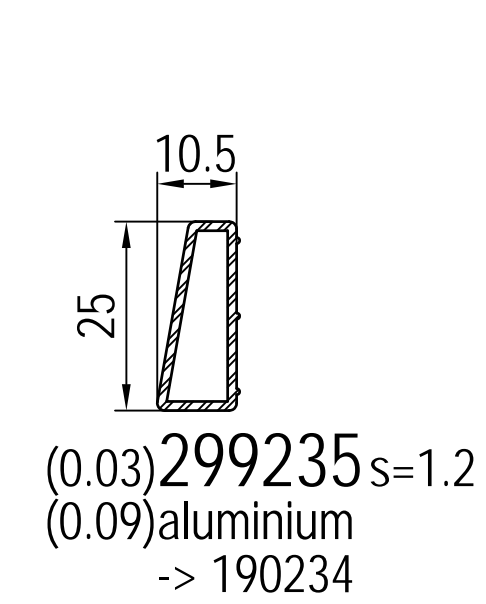
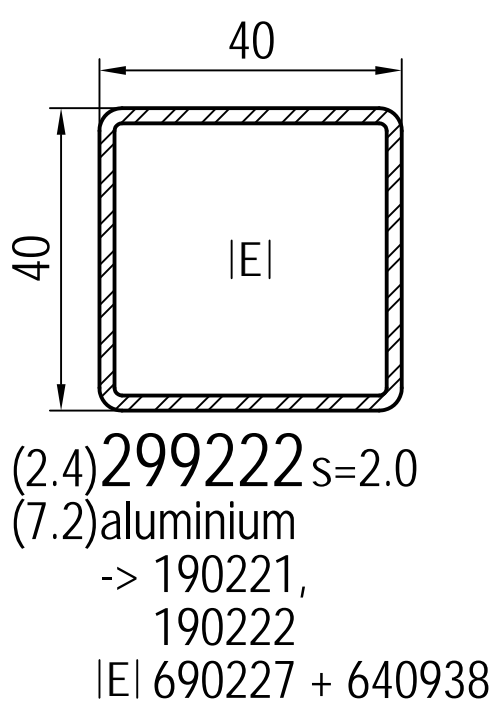
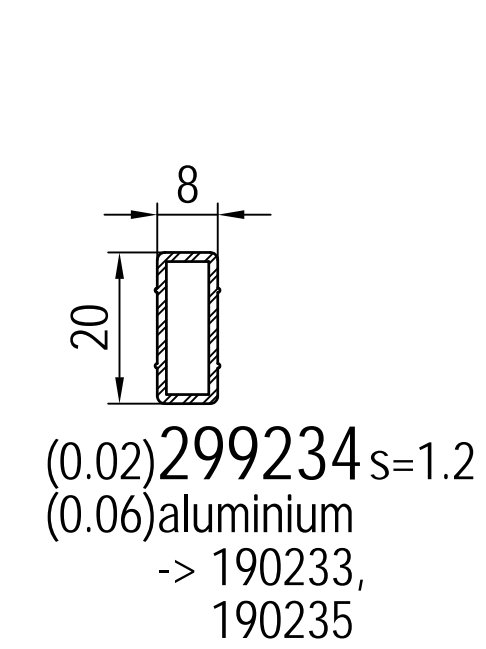
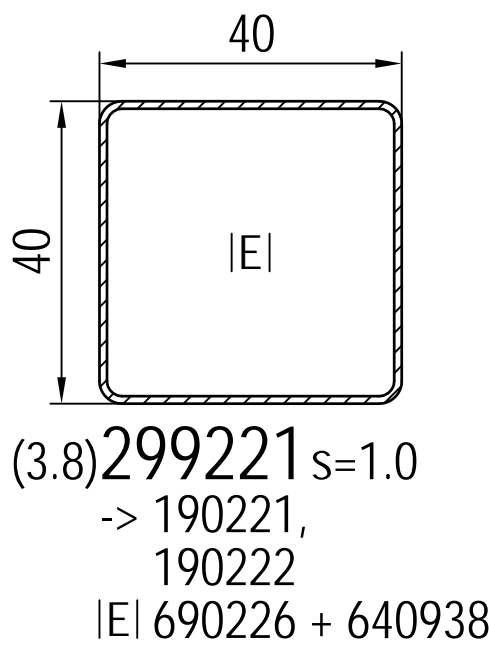
IDI Connector



IEI Corner connector



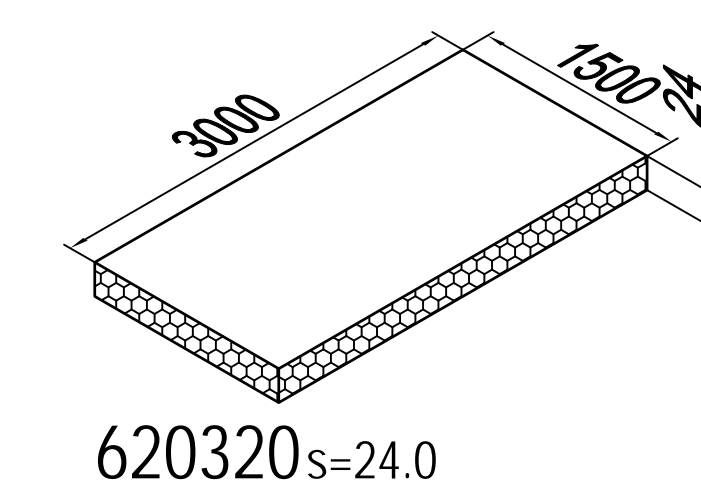
IFI Reinforcements (...) = lx



IGI Nipple screw / Clip



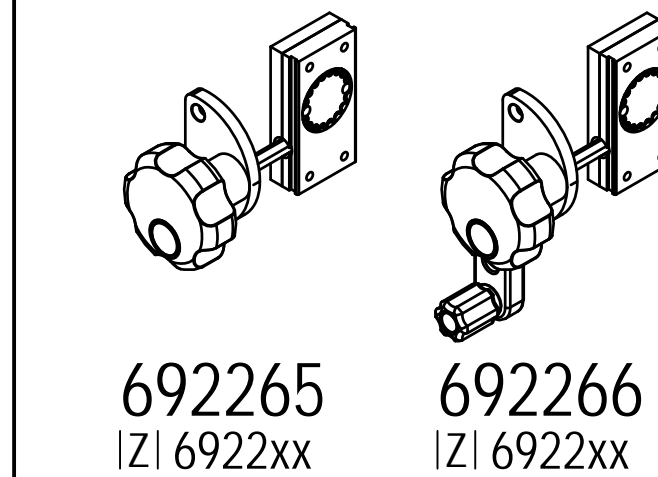
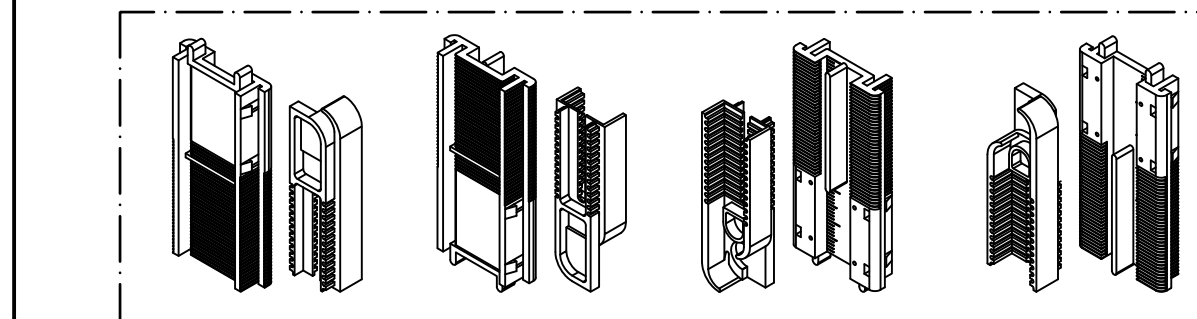
IMI Panels (uPVC / Sandwich)



IZI Special accessories

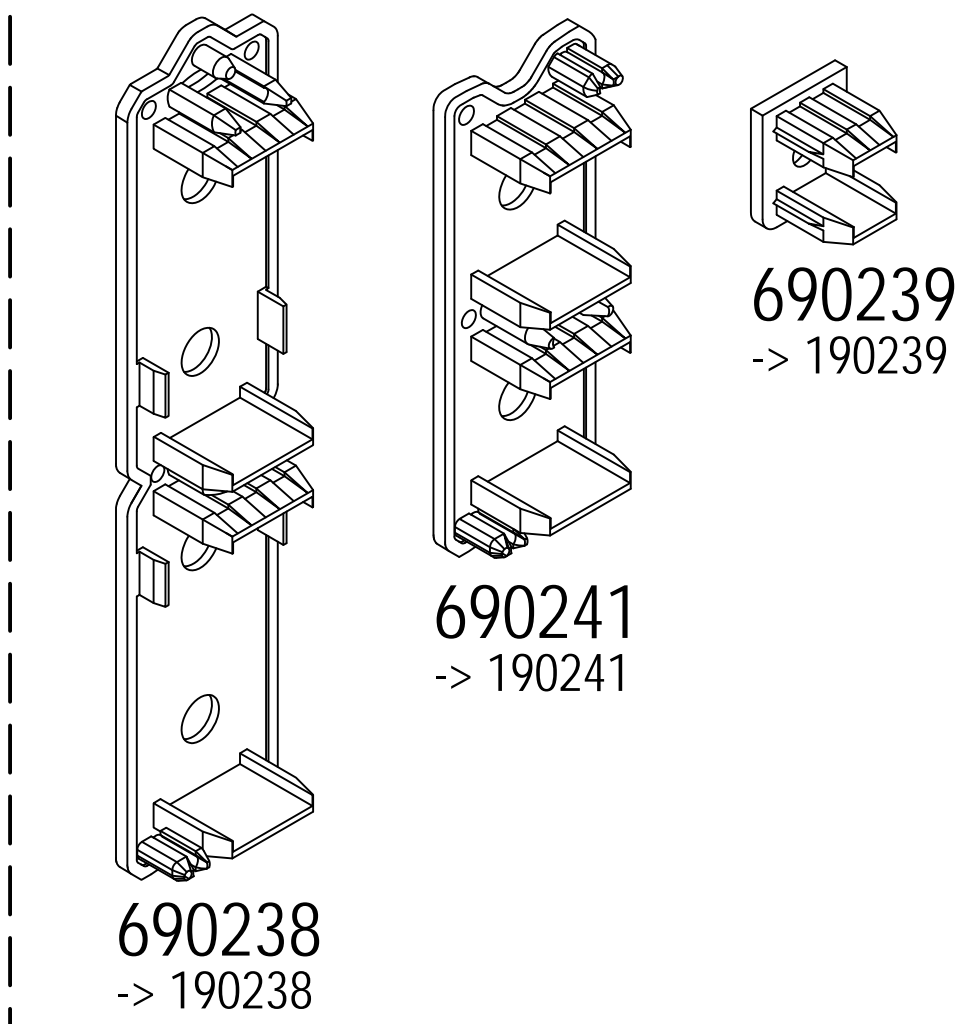
Item number	for ..190234	H [mm]	G [mm]
692249	9 x	555 - 609	489
692250	10x	610 - 664	544
692251	11x	665 - 719	599
692252	12x	720 - 774	654
692253	13x	775 - 829	709
692254	14x	830 - 884	764
692255	15x	885 - 939	819
692256	16x	940 - 994	874
692257	17x	995 - 1049	929
692258	18x	1050 - 1104	984
692259	19x	1105 - 1159	1039
692260	20x	1160 - 1214	1094
692261	21x	1215 - 1269	1149
692262	22x	1270 - 1324	1204
692263	23x	1325 - 1379	1259
692264	24x	1380 - 1434	1314

6922xx
-> 190234
IZI 692248, 692265, 692266

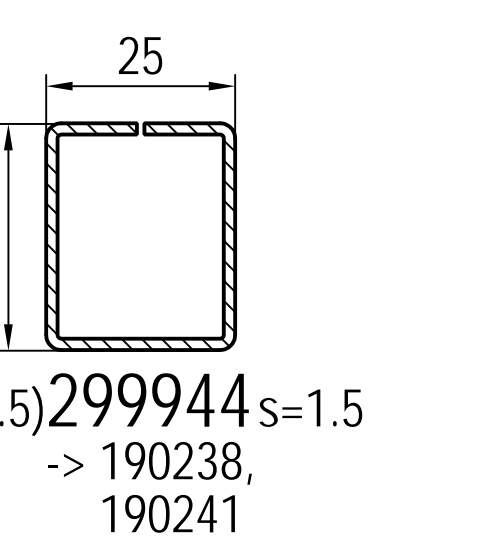
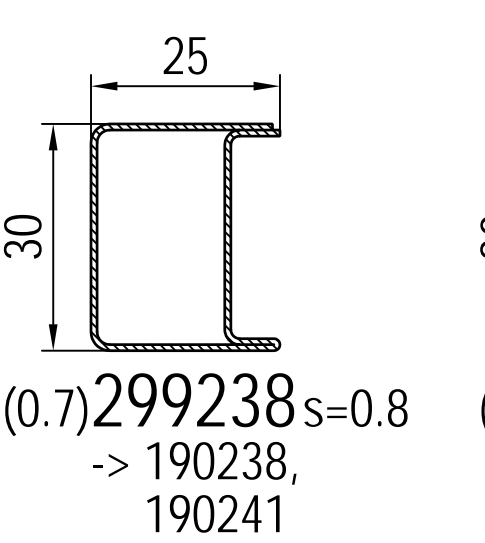


Accessories

ICI End caps



IFI Reinforcements (...) = lx



□ not laminated
■ laminated
-> for
bl black
pw papyrus-white

01	FRONT PAGE
02	aluplast 1/2
03	aluplast 2/2
04	energeto® 8000 / IDEAL 8000®
new	+ 180x24, 249014, 249015, 259024, 259028, 289024, 289028, 289424, 486071, 650252, 650295, 655251, 680250, 680251, 680290, 680291, 685251 P(650321)
removed	- 180x16, 650251, 680251
modified	~ 180x05 X(080x04, 080x05, 080x20, 080x89, 180x05)
05	energeto® 7000 / IDEAL 7000®
new	+ 070x03, 170x36, 170x65, 249014, 249015, 249016, 279430, 486071, 650252, 655251, 670365, 670465, 680250, 680251, 685251 P(259080, 249365)
removed	- 070x02, 650251, 680251 P(229023, 229024, 229025, 229026, 229117, 229119)
modified	~ 170x02, 170x20 X(070x02, 170x02)
06	energeto® 5000 / IDEAL 5000®
new	+ 050x24, 150x110000011, 150x27, 150x44, 150x69, 249014, 249015, 259024, 259028, 259311, 259369, 259424, 647136, 650252, 650290, 650295, 655251, 680250, 680251, 685251 P(229037, 259094, 229102, 229103)
removed	- 050x86, 050x87, 150x66, 150x94, 150x43, 259087, 2590940000098, 259194, 259366, 259387, 259394, 259486, 650066, 650087, 650090, 650251, 657146, 680251, (150x85 -> 2016-11) P(259043, 259044, 259094, 642230, 642232, 642233)
modified	~ 150x02, 150x10, 150x11 D(150x68), X(050x03, 050x04, 050x20, 050x86, 050x87, 150x02, 150x11)
07	energeto® 4000 / IDEAL 4000®
new	+ 120x82, 120x86, 140x09, 140x090000011, 140x24, 140x28, 249014, 249015, 249016, 249424, 259024, 259028, 647136, 650252, 655251 P(209192, 209193, 642261, 642262, 642263, 647241, 647245, 647246, 650250, 650251)
removed	- 120x37, 120x74, 120x77, 140x10, 140x21, 140x69, 140x75, 140x86, 229007, 229031, 249456, 2590940000098, 640069, 650251 P(229110, 229111, 642230, 642232, 642233)
modified	~ 140x07, 140x67, 259094 X(040x02, 040x07, 040x92, 140x03, 140x07, 140x81)
08	IDEAL 2000®
new	+ 120x26, 120x32, 120x82, 120x86, 229055, 229056, 229057, 229058, 650252, 655251 P(140x47, 640301, 640311, 640320, 647241, 642261, 642262, 642263, 650250, 650251)
removed	- 120x10, 120x20, 120x34, 120x37, 120x38, 120x60, 120x74, 120x77, 140x75, 229002, 229007, 229015, 229020, 229031, 229073, 620060, 650251 P(229117, 229119)
09	energeto® 5000 view
new	+ 150x110000011, 150x43, 209391, 227306, 259311, 650290 P(150x11, 229037, 229102, 229103, 640046)
removed	- 150x43, 150x66, 259466, 650266 P(180201, 259043, 259044, 229062, 620046)
modified	~ 150x10
10	lift-slide Lift-and-slide door
new	+ 279082, 279083, 279084 P(459933)
removed	- 449183
modified	~ 670290, 677101, 677145
11	smart-slide Sliding window
new	+ 100091, 100x94, 100291, 100294, 207282, 207283, 207285, 207286, 207290, 207291, 207292, 207293, 209294, 207295, 207296, 209390, 209391, 209394, 609291
12	multi-slide Sliding window
new	+ 100060, 100x920000096 P(120x41, 229098, 229100, 229101, 620046, 620116, 620301, 620305, 620900, 627101, 627102, 627131, 627132, 629111, 629141)
removed	- 100070
modified	~ 100x92, 209192, 209193
13	sliding fly screen / mono-slide / easy-slide Sliding window
new	+ 100060, 100062, 100x65, 209062, 409065, 600062, 607065 P(180227, 239030, 429333, 459930, 620339, 629342, 629343)
removed	- 100070

14	GLAZING BEADS
new	+ 120738, 120768, 120833, 120863, 140141, 140641, 140671, 140741, 140771, 140841, 140871, 150x27 P(120x26, 120x32, 120x82, 120x86, 140x47, 650321, 680321)
removed	- 120141, 120143, 120144, 120639, 120641, 120643, 120669, 120671, 120673, 120744, 120774, 120841, 120843, 120844, 120871, 120873, 120874, 140153, 140853, 140883, 150x94
modified	~ 120133, 120633, 120663, 130153, 130250, 130653, 130683, 130753, 130783, 130853, 130883 P(259023)
15	ADDITIONAL PROFILES 1/4 General
new	+ 114245, 144216 P(140209)
removed	- P(140207, 140208, 640302)
modified	~ 120102, 120106
16	ADDITIONAL PROFILES 2/4 Extensions Couplings Structural profiles
new	+ 140206, 622354, 682333, 682335
removed	- 140222, 249233 P(120223, 249034, 249035, 640302)
modified	~ 140218, 180203 P(180218, 259023)
17	ADDITIONAL PROFILES 3/4 Exterior window sills Interior window sills Frames
new	+ 140x090000011, 150x110000011
removed	- 140x10, 180x16
18	ADDITIONAL PROFILES 4/4 Rolling shutter slats Roller shutter guides Roller shutter
new	+ 259305, 259306 P(259304, 289304)
19	ACCESSORIES IDEAL 2000 - 8000®
new	+ 070x03, 120x82, 120x86, 150x27, 150x44, 150x69, 170x65, 277306, 486071, 647136, 650252, 650290, 650295, 655251, 670365, 670465, 680250, 680290, 680291, 680350, 685251 P(050x20, 080x20, 150x20, 150x22, 150x26, 180x20, 180x27)
removed	- 050x87, 070x02, 120x37, 120x60, 120x74, 120x77, 140x69, 150x43, 150x66, 229062, 620060, 626062, 630315, 640069, 650000, 650066, 650087, 650090, 650251, 650956, 657146
modified	~ 640941, 647241, 647245, 647246, 670950, 677101, 677142, 677144, 677145, 677241, 680950, 687246, 687131, 687102
20	ALUMINIUM SHELLS aluskin IDEAL 4000 - 8000®
new	+ 070x03, 140x24, 140x28, 150x11, 150x110000011, 150x44, 150x69, 170x65, 180x24, 209391, 249424, 249428, 259305, 259306, 259311, 259369, 279430, 289424 P(170x30, 229080, 229246, 260406, 260407, 289210, 289211)
removed	- 050x86, 050x87, 070x02, 140x86, 150x43, 150x66, 150x94, 249456, 259366, 259387, 259394, 259486
modified	~ 140x07, 140x67, 150x02, 150x10, 150x11, 17x02, 170x20, 180x05
21	REINFORCEMENTS
new	+ 209062, 209294, 229055, 229056, 229057, 229058, 249014, 249015, 249016, 259024, 259028, 279082, 279083, 279084, 289024, 289028, 622354, 682335
removed	- 229002, 229007, 229015, 229020, 229031, 229073, 249233, 259087, 259094xxx, 2590940000098, 259194
modified	~ 209192, 209193, 259094, 289089
22	TABLE OF CONTENT
	Plans of Profiles
new	+ smart-slide
removed	- IDEAL 4000® NL
removed	- Nord-line
removed	- Folding Shutter
modified	~ Lift-and-slide door 85mm
modified	~ multi-sliding
modified	~ mono-rail-door / sliding window
modified	~ mono-rail
	➔ lift-slide
	➔ multi-slide
	➔ easy-slide
	➔ mono-slide
	D(...) laminated
	P(...) Plan
	X(...) Gaskets